



SUPERSPORT
Model Year 2018

SUPERSPORT

Chassis prefix:
Cylinder capacity: 936

D25000018
SPARE PARTS CATALOGUE
en-US



The present spare parts order exactly the right spare parts.

When ordering specify:

1. the part's code number followed by its description and quantity needed;
2. the motorcycle's serial number, stamped on the steering head.

Reference to right and left apply to the vehicle in terms of its direction of movement.

Spare parts drawings are general and do not represent the part.

The contents of this catalogue are general and can undergo changes without prior notice.

CHARACTERISTICS LEGENDA

CHARACTERISTIC CODE	CHARACTERISTIC DESCRIPTION	VALUE CODE	VALUE DESCRIPTION
CPT	PARTICOLAR CHARACTERISTICS	D35	DEPOTENZIATO 35KW
CPT	PARTICOLAR CHARACTERISTICS	STD	MOTO STANDARD
DFR	DAFRA	N	NO
MOD	MODEL	SS 939	
PLT	PLANT	DB10	DMH
XCO	MAIN COLOUR	R	RED
XCR	FRAME / WHEEL COLOUR	R-B	
XST	STANDARD COUNTRY	AUS	
XST	STANDARD COUNTRY	EUR	VERSIONE EUROPA
XST	STANDARD COUNTRY	JAP	
XST	STANDARD COUNTRY	ROK	
XST	STANDARD COUNTRY	TWN	



COLOUR	COLOUR CODE	COLOUR DESCRIPTION	FINISHED PRODUCTS
	R	RED	(D25000118) SS 939 18 EUR R R-B STD DMH (D25001018) SS 939 18 AUS R R-B STD DMH (D25001318) SS 939 18 JAP R R-B STD DMH (D25002518) SS 939 18 TWN R R-B STD DMH (D25002818) SS 939 18 ROK R R-B STD DMH (D25003118) SS 939 18 EUR R R-B D35 DMH



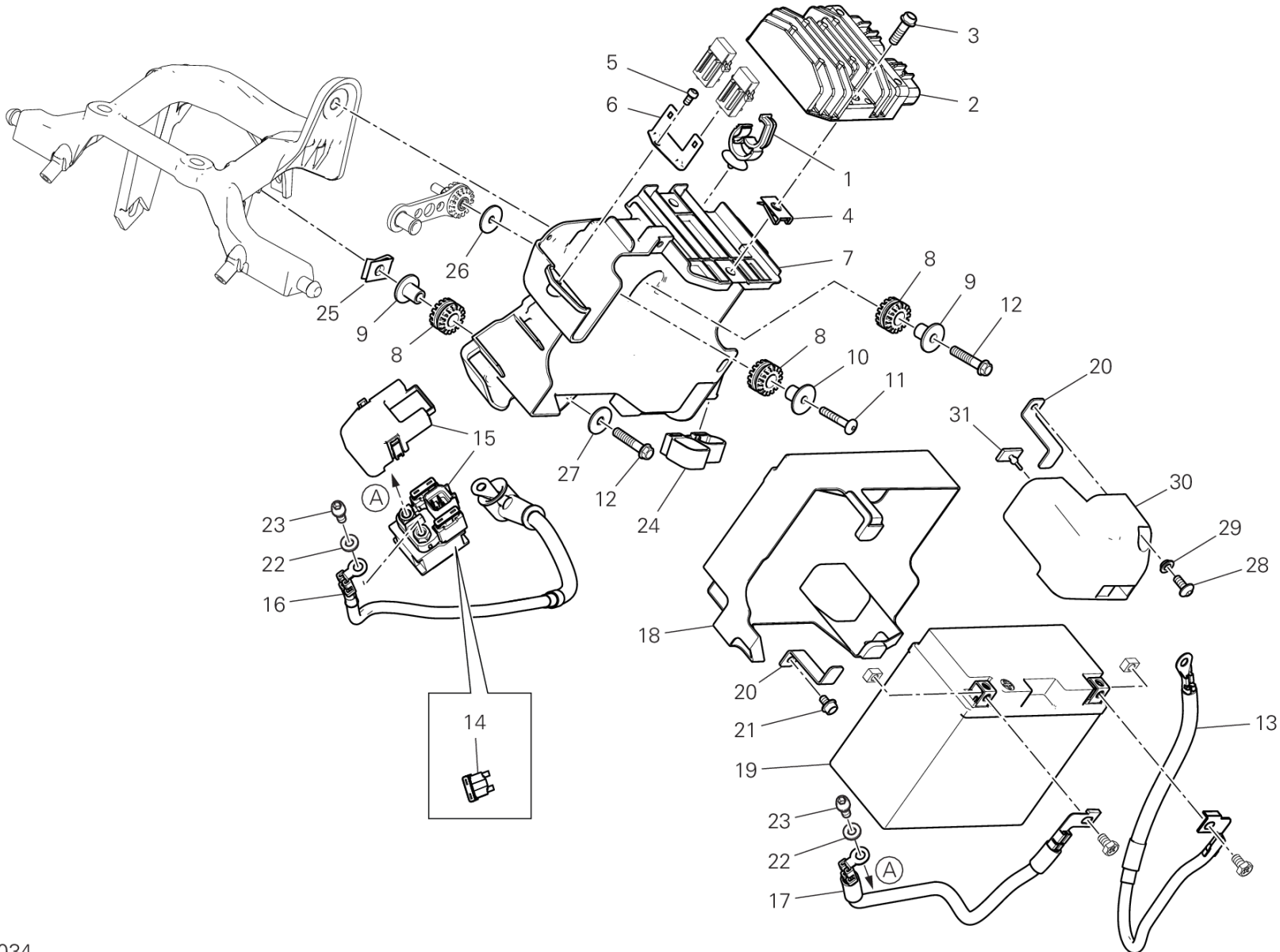
General information.....	3
Colours.....	4
Group ELECTRIC.....	8
Drawing 018 - BATTERY HOLDER [MOD:SS 939].....	8
Drawing 020 - HEADLIGHT [MOD:SS 939].....	10
Drawing 18A - ENGINE CONTROL UNIT [MOD:SS 939].....	12
Drawing 18B - WIRING HARNESS [MOD:SS 939].....	14
Drawing 28B - PLATE HOLDER [MOD:SS 939;XST:AUS,EUR,TWN].....	16
Drawing 28B - PLATE HOLDER [MOD:SS 939;XST:JAP].....	18
Group OIL.....	20
Drawing L - SHELL ADVANCE.....	20
Group ENGINE.....	22
Drawing 002 - SHIFT CAM - FORK [MOD:SS 939].....	22
Drawing 003 - GEAR BOX [MOD:SS 939].....	24
Drawing 004 - CLUTCH [MOD:SS 939].....	26
Drawing 005 - CLUTCH COVER [MOD:SS 939].....	28
Drawing 006 - CONNECTING RODS [MOD:SS 939].....	30
Drawing 007 - CYLINDERS - PISTONS [MOD:SS 939].....	32
Drawing 008 - DISTRIBUZIONE [MOD:SS 939].....	34
Drawing 009 - FILTERS AND OIL PUMP [MOD:SS 939].....	36
Drawing 010 - HALF-CRANKCASES PAIR [MOD:SS 939].....	38
Drawing 011 - WATER PUMP-ALTR-SIDE CRNKCSE COVER [MOD:SS 939].....	42
Drawing 012 - ELECTRIC STARTING AND IGNITION [MOD:SS 939].....	46
Drawing 013 - CYLINDER HEAD : TIMING SYSTEM [MOD:SS 939].....	48
Drawing 014 - VERTICAL HEAD [MOD:SS 939].....	50
Drawing 015 - HORIZONTAL HEAD [MOD:SS 939].....	58
Drawing 10A - HALF-CRANKCASES PAIR [MOD:SS 939].....	66
Group TOOLS.....	68
Drawing 001 - WORKSHOP SERVICE TOOLS (ENGINE) [MOD:SS 939].....	68



Drawing 01A - WORKSHOP SERVICE TOOLS (FRAME) [MOD:SS 939].....	70
Drawing 01B - DDS (2) TESTER [MOD:SS 939].....	72
Group TYRES.....	74
Drawing A - TYRES [MOD:SS 939].....	74
Drawing B - (*) PIRELLI DIABLO™ ROSSO III [MOD:SS 939].....	76
Drawing C - PIRELLI DIABLO™ SUPERCORSA SP [MOD:SS 939].....	78
Drawing D - PIRELLI ANGEL™ GT [MOD:SS 939].....	80
Drawing E - PIRELLI DIABLO™ ROSSO CORSA [MOD:SS 939].....	82
Group FRAME.....	84
Drawing 016 - OIL COOLER [MOD:SS 939].....	84
Drawing 017 - THROTTLE BODY [MOD:SS 939].....	86
Drawing 019 - EXHAUST SYSTEM [MOD:SS 939].....	88
Drawing 021 - HANDLEBAR AND CONTROLS [MOD:SS 939].....	92
Drawing 022 - FRAME [MOD:SS 939].....	94
Drawing 023 - CLUTCH CONTROL [MOD:SS 939].....	96
Drawing 024 - FRONT BRAKE SYSTEM [MOD:SS 939].....	98
Drawing 025 - REAR BRAKE SYSTEM [MOD:SS 939].....	100
Drawing 026 - RUOTA ANTERIORE E POSTERIORE [MOD:SS 939].....	102
Drawing 027 - REAR FRAME COMP. [MOD:SS 939].....	104
Drawing 028 - SOSPENSIONE POSTERIORE [MOD:SS 939].....	108
Drawing 029 - AIR INTAKE - OIL BREATHER [MOD:SS 939].....	110
Drawing 030 - WATER COOLER [MOD:SS 939].....	112
Drawing 031 - COOLING SYSTEM [MOD:SS 939].....	114
Drawing 032 - FUEL TANK [MOD:SS 939;XST:AUS,EUR,ROK,TWN].....	116
Drawing 032 - FUEL TANK [MOD:SS 939;XST:JAP].....	118
Drawing 033 - SEAT [MOD:SS 939].....	120
Drawing 034 - FAIRING [MOD:SS 939].....	122
Drawing 035 - HOT AIR PIPE CANISTER [MOD:SS 939].....	124
Drawing 21A - FRONT FORK [MOD:SS 939].....	126
Drawing 22A - SIDE STAND [MOD:SS 939].....	128



Drawing 24A - ANTILOCK BRAKING SYSTEM (ABS) [MOD:SS 939].....	130
Drawing 26A - REAR WHEEL SPINDLE [MOD:SS 939].....	132
Drawing 27A - FOOTRESTS, LEFT [MOD:SS 939].....	134
Drawing 27B - FOOTRESTS, RIGHT [MOD:SS 939].....	136
Drawing 28A - FORCELLONE POSTERIORE [MOD:SS 939;XST:EUR,TWN].....	138
Drawing 28A - FORCELLONE POSTERIORE [MOD:SS 939;XST:AUS].....	140
Drawing 34A - COWLING [MOD:SS 939].....	142
Alphanumeric index.....	146



IMP01034

DRAWING 018 - BATTERY HOLDER [MOD:SS 939]

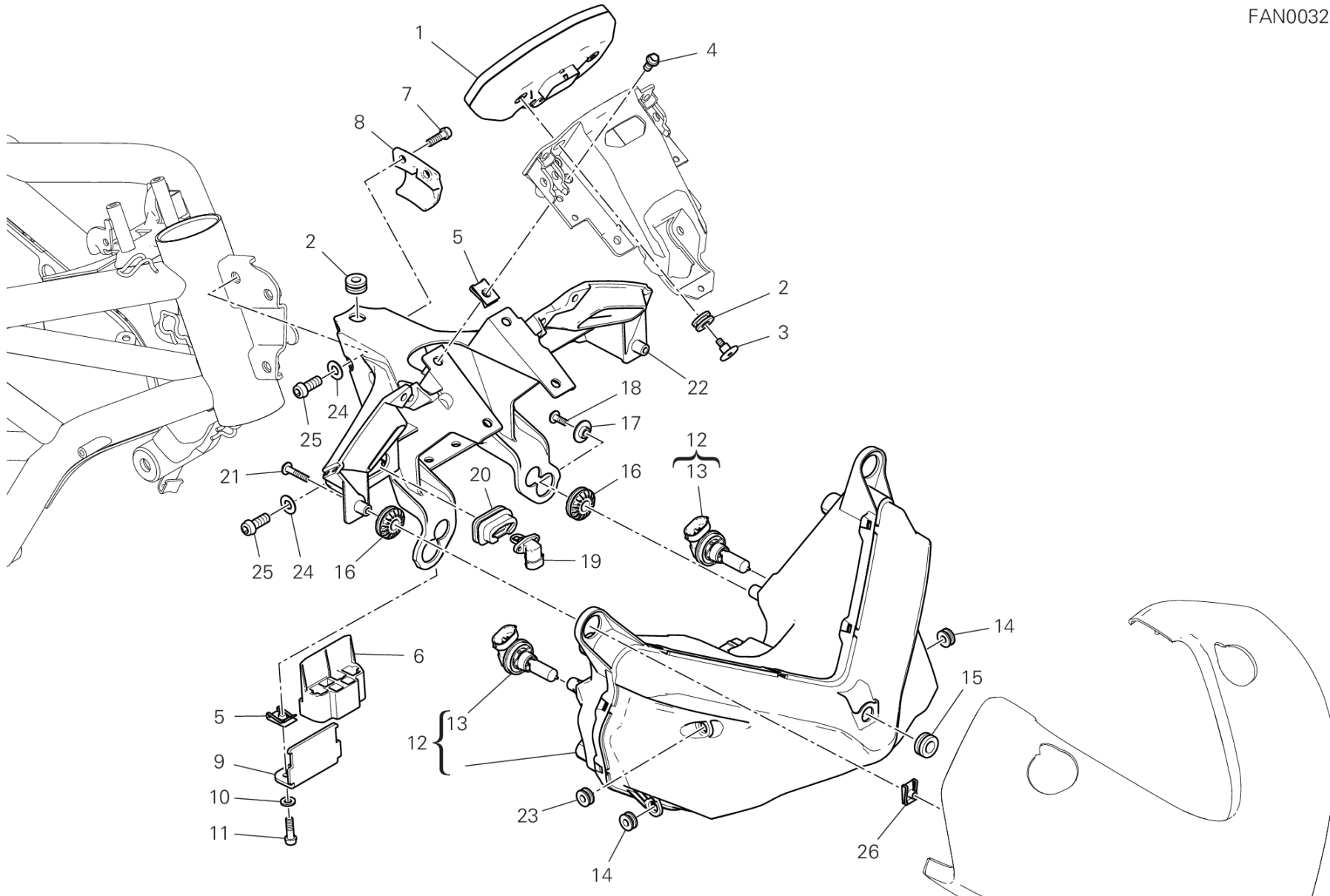
GROUP ELECTRIC



POS.	CODE	DESCRIPTION	QTY	START DATE	END DATE	VALIDITY	NOTES
1	75840841A	FAIRLEAD	1	23/05/2016			
2	54040301B	VOLTAGE REGULATOR	1	23/05/2016			
3	77251028C	SCREW	2	23/05/2016			
4	85041581A	CLIP NUT	2	23/05/2016			
5	77440431AA	SCREW, TAPPING	1	23/05/2016			
6	83018351AA	BRACKET, FUSE BOX	1	23/05/2016			
7	8291F601A	BATTERY HOLDER	1	23/05/2016			
8	76410641A	VIBRATION DAMPER PAD	3	23/05/2016			
9	71610061A	SPACER	2	23/05/2016			
10	71611641AA	SPACER	1	23/05/2016			
11	77240333C	SCREW	1	23/05/2016			
12	77251043B	SCREW	2	23/05/2016			
13	51310722A	BATTERY - ENGINE GROUNDING CABLE	1	10/04/2017			
14	38940231A	FUSE 30A	1				
15	39740081B	STARTER RELAY	1	23/05/2016			
16	51410792A	CABLE	1	10/04/2017			
17	51410802A	BATTERY - SOLENOID STARTER CABLE	1	10/04/2017			
18	8291F641A	BATTERY CARPET	1	23/05/2016			
19	69926751A	BATTERY	1	23/05/2016			
20	82712941A	PLATE	2	23/05/2016			
21	77250708B	SCREW	1	23/05/2016			
22	85350101A	WASHER, SPRING	2	23/05/2016			
23	77156628B	SCREW TCEIF M6X10	2	23/05/2016			
24	86611731A	RUBBER PAD CONNECTOR	1	23/05/2016			
25	85040631A	QUICK FASTENING	1	23/05/2016			
26	85241711A	WASHER 5.3X20X1.5	1				
27	85211671B	WASHER	1				
28	77244173B	SCREW	1	25/01/2017			
29	71615071AA	SPACER	1	25/01/2017			
30	4601F171B	COVER	1	25/01/2017			
31	86610361A	RUBBER PAD	1	25/01/2017			



FAN00322

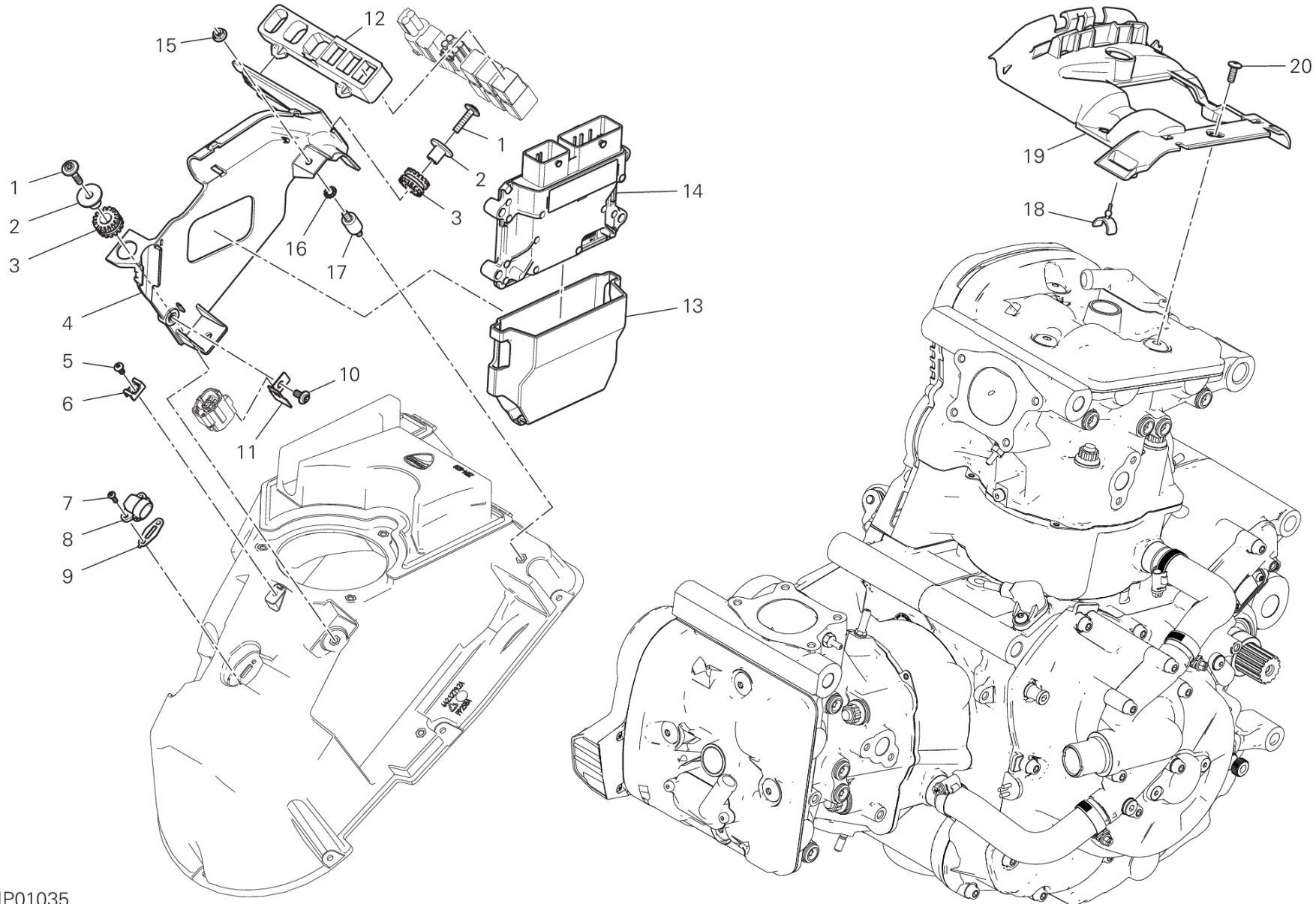


DRAWING 020 - HEADLIGHT [MOD:SS 939]

GROUP ELECTRIC



POS.	CODE	DESCRIPTION	QTY	START DATE	END DATE	VALIDITY	NOTES
1	40611285D	INSTRUMENT PANEL	1			XST:AUS,EUR,TWN	
	40611423D	INSTRUMENT PANEL	1			XST:JAP	JAP
2	76411141A	VIBRATION DAMPER PAD	4	16/06/2016			
3	77215051AA	SCREW, SPECIAL	3				
4	77250988B	SCREW TEF M6X14	4	25/01/2017			
5	85041581A	CLIP NUT	6	16/06/2016			
6	86611692B	RUBBER PAD	1	16/06/2016			
7	77110191A	SCREW TCEIF M6X20	2	12/07/2016			
8	8301F451A	GUIDE, CABLE	1	23/05/2016			
9	8301F461AA	BRACKET	1	23/05/2016			
10	85310031A	SPRING WASHER 6 MM	2	16/06/2016			
11	77150658B	SCREW TCEI M6X16	2	16/06/2016			
12	52010401B	HEADLIGHT	1	17/10/2016			
13	39040201A	BULB 12V, 55W	2				
14	76411061A	RUBBER PAD	2	23/05/2016			
15	76410901A	RUBBER PAD	1	23/05/2016			
16	76411361A	VIBRATION DAMPER PAD	4	16/06/2016			
17	71614431AA	SPACER	2	23/05/2016			
18	77244183B	SCREW	2	23/05/2016			
19	55240121A	SENSOR, AIR TEMPERATURE	1	23/05/2016			
20	76410971A	RUBBER PAD	1	16/06/2016			
21	77244233B	SCREW	2	13/07/2016			
22	8291G201BA	BRACKET, HEADLIGHT	1	23/05/2016			
23	76412441A	VIBRATION DAMPER PAD	2	17/10/2016			
24	85140091A	LOCK WASHER	3	10/05/2017			
25	77157238B	SCREW TCEIF M8X20	3	16/06/2016			
26	85040551A	QUICK FASTENING	2	25/01/2017			



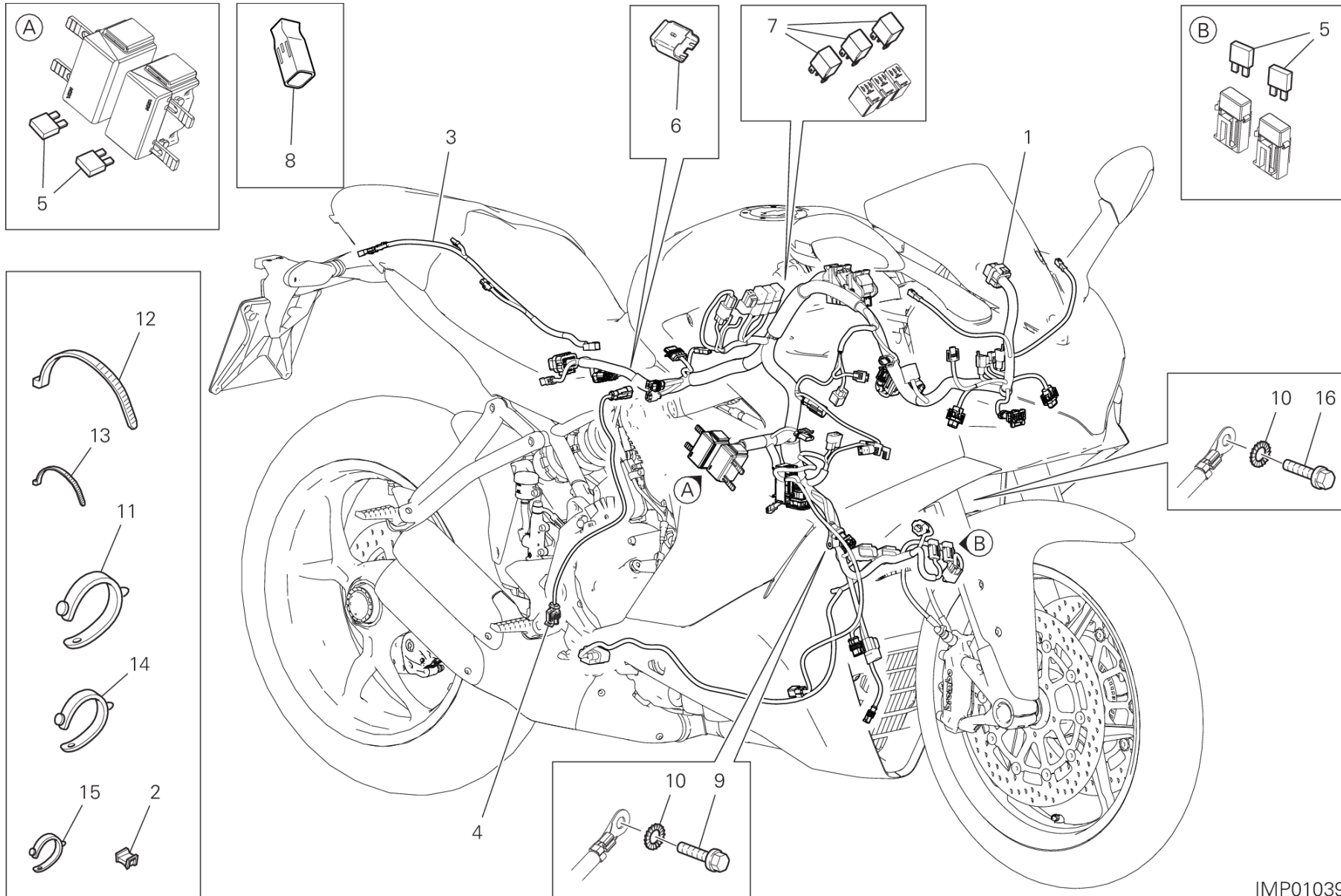
IMP01035

DRAWING 18A - ENGINE CONTROL UNIT [MOD:SS 939]

GROUP ELECTRIC



POS.	CODE	DESCRIPTION	QTY	START DATE	END DATE	VALIDITY	NOTES
1	77214061AA	SCREW, SPECIAL TCEI M5x22	2	11/06/2014			
2	71610061A	SPACER	2	11/06/2014			
3	76410241A	VIBRATION DAMPER PAD	2	11/06/2014			
4	8291B641C	BRACKET ENGINE CONTROL UNIT	1	12/03/2013			
5	77440141A	SCREW, TAPPING 4X8 WN1412	1	12/03/2013			
6	85041711A	HOSE GUIDE	1	12/03/2013			
7	77440213C	SCREW	2	12/03/2013			
8	55240121A	SENSOR, AIR TEMPERATURE	1	22/10/2013			
9	78811041A	GASKET, COOLING WATER SENSOR	1	12/03/2013			
10	77244168B	SCREW	1	12/03/2013			
11	8291B771AA	CONNECTOR HOLDER	1	12/03/2013			
12	86611611A	RUBBER PAD UPPER	1	12/03/2013			
13	86611981A	VIBRATION DAMPER ENGINE CONTROL UNIT	1	11/06/2014			
14	28642811A	ENGINE CONTROL UNIT	1	10/04/2017		CPT:STD;XST:AUS,EUR	AUS-EUR
	28642811F	ENGINE CONTROL UNIT	1	10/04/2017		XST:JAP	JAP-THA
	28642811H	ENGINE CONTROL UNIT	1	10/04/2017		XST:TWN	TWN
	28642991A	ENGINE CONTROL UNIT	1			CPT:D35;XST:EUR	DEP 35kw
15	74850061A	NUT	2	11/06/2014			
16	46240461A	WASHER, SPRING	2	11/06/2014			
17	70010431A	DAMPER	2	11/06/2014			
18	86610731A	VIBRATION DAMPER	2	22/10/2013			
19	75810782A	PROTECTION WIRING VERTICAL HEAD	1	22/10/2013			
20	77240278C	SCREW	3	22/10/2013			



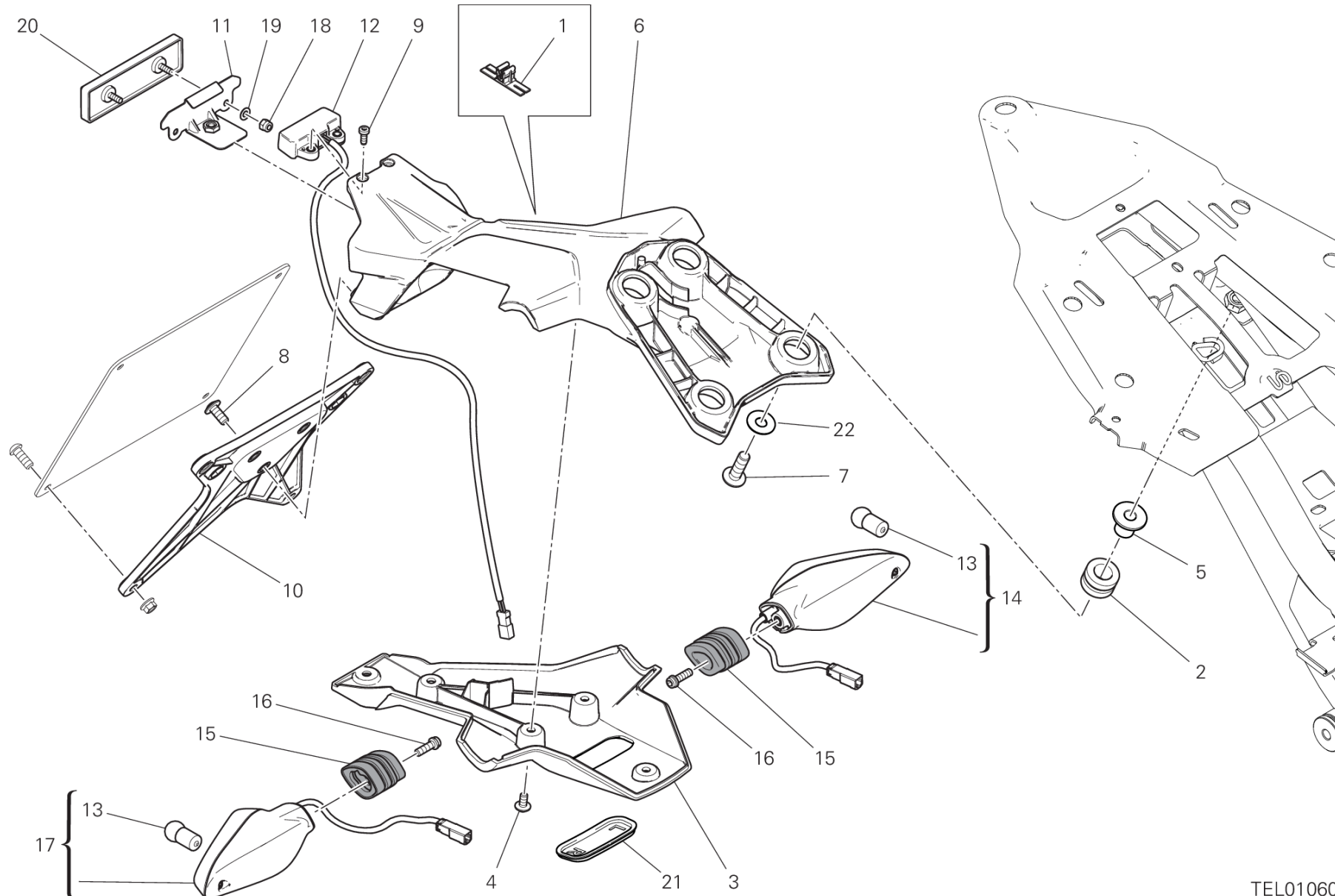
IMP01039

DRAWING 18B - WIRING HARNESS [MOD:SS 939]

GROUP ELECTRIC



POS.	CODE	DESCRIPTION	QTY	START DATE	END DATE	VALIDITY	NOTES
1	5101B191D	MAIN WIRING HARNESS	1	02/10/2016		PLT:DB10	
2	85040671A	CLAMP TUCKER	8	01/10/2013			
3	5101C161B	REAR WIRING	1	23/06/2016		PLT:DB10	
4	51019722A	EXTENSION, WIRE HARNESS SWITCH, REAR BRAKE	1	23/05/2016		PLT:DB10	
5	38940191A	FUSE 5A	5				
	38940201A	FUSE 10A	3				
	38940211A	FUSE 15A	2				
	38940221A	FUSE 20A	1				
	38940241A	FUSE 7,5A	1				
	38940261A	FUSE 25A	1				
6	87210532A	CAP DDA	1				
7	54140101A	RELAY	3				
8	87210641A	CAP, CONNECTOR	1				
9	77211061A	SCREW TEF M6X14	1	25/01/2017			
10	85550001B	SPRING WASHER	2	22/10/2013			
11	74110131A	CLAMP, RUBBER 82MM	2	22/10/2013			
12	069191030	CLAMP	34	01/10/2013			
13	74140381A	CLAMP	8	01/08/2013			
14	74110101A	CLAMP 70MM	2	22/10/2013			
15	74110551A	CLAMP, RUBBER 39MM	12	22/10/2013			
16	77215048B	SCREW	1	25/01/2017			



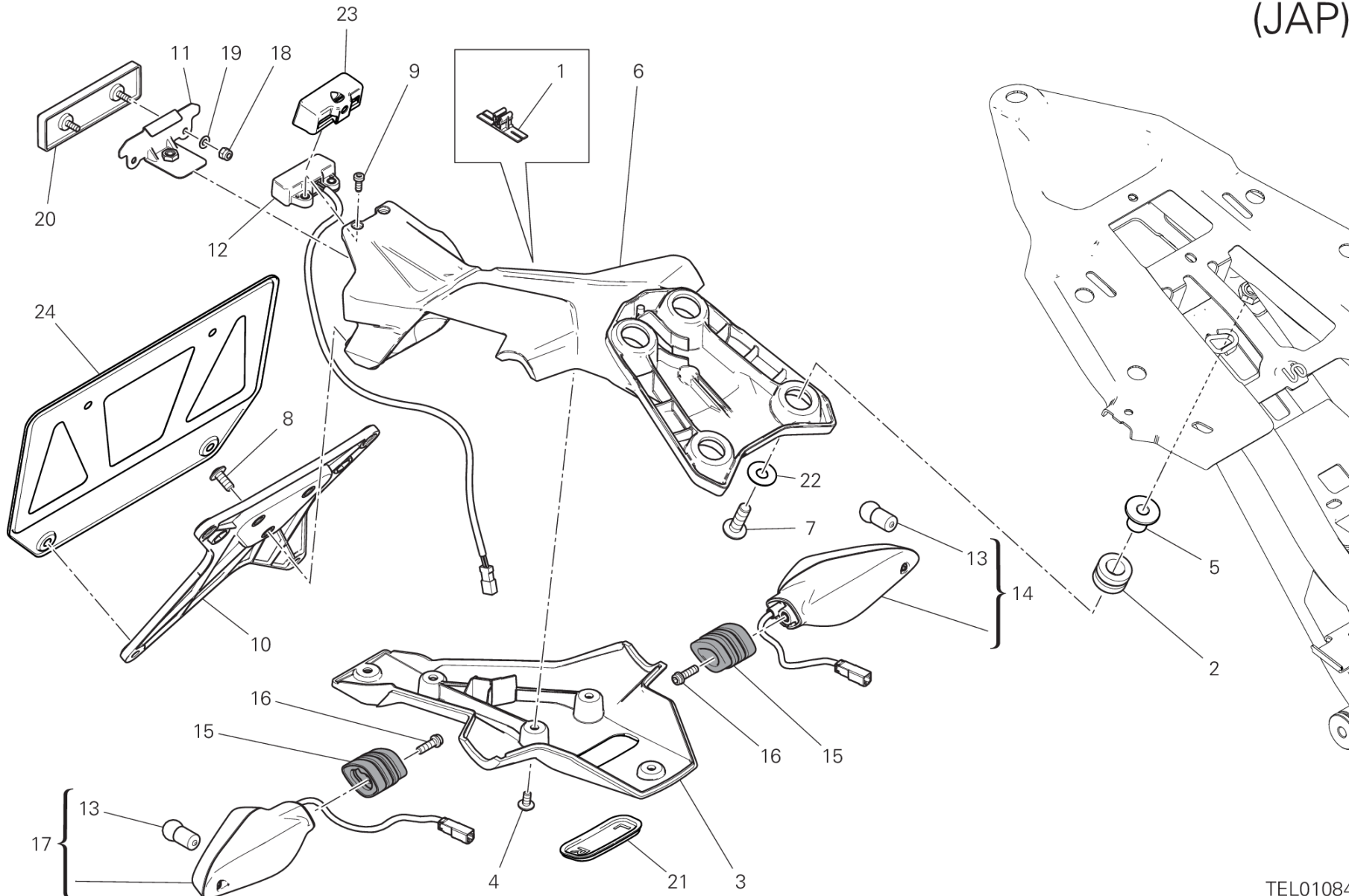
TEL01060



POS.	CODE	DESCRIPTION	QTY	START DATE	END DATE	VALIDITY	NOTES
1	75840901A	FAIRLEAD	3	19/09/2016			
2	76412371A	RUBBER PAD	4	19/09/2016			
3	56113442A	NUMBER PLATE HOLDER BOTTOM	1	19/09/2016			
4	77244163B	SCREW M5X10	5	05/09/2016			
5	71615291AA	SPACER	4	19/09/2016			
6	56113432A	NUMBER PLATE HOLDER UPPER	1	18/11/2016			
7	77244538BA	SCREW	4	05/09/2016			
8	77240418C	SCREW	3	01/08/2013			
9	77354623B	SCREW M4X10	2	05/09/2016			
10	56113392A	PLATE HOLDER	1	05/09/2016			
11	8291F761AA	PLATE	1	05/09/2016			
12	52510611A	LAMP, LICENSE PLATE	1	18/11/2016			
13	39040211A	BULB	2	11/03/2013			
14	53010236A	FLASHER LIGHT FRONT RH- REAR LH	1	19/09/2016			
15	71314703A	SPACER	2	19/09/2016			
16	77110441A	SCREW TCEIF M5X16	2	05/09/2016			
17	53010226A	FLASHER LIGHT FRONT LH - REAR RH	1	19/09/2016			
18	74950011B	NUT, SPRING	2	19/09/2016			
19	85212511A	WASHER 4.5X9X0.5	2	19/09/2016			
20	52910231A	REFLEX REFLECTOR, REAR	1	19/09/2016			
21	87211251A	PLUG	1	19/09/2016			
22	85210532A	WASHER 8.2X20X1	4	18/11/2016			



(JAP)



TEL01084



POS.	CODE	DESCRIPTION	QTY	START DATE	END DATE	VALIDITY	NOTES
1	75840901A	FAIRLEAD	3	19/09/2016			
2	76412371A	RUBBER PAD	4	19/09/2016			
3	56113442A	NUMBER PLATE HOLDER BOTTOM	1	19/09/2016			
4	77244163B	SCREW M5X10	5	05/09/2016			
5	71615291AA	SPACER	4	19/09/2016			
6	56113432A	NUMBER PLATE HOLDER UPPER	1	18/11/2016			
7	77244538BA	SCREW	4	05/09/2016			
8	77240418C	SCREW	3	01/08/2013			
9	77354623B	SCREW M4X10	2	05/09/2016			
10	56113392A	PLATE HOLDER	1	05/09/2016			
11	8291F761AA	PLATE	1	05/09/2016			
12	52510611A	LAMP, LICENSE PLATE	1	18/11/2016			
13	39040211A	BULB	2	11/03/2013			
14	53010236A	FLASHER LIGHT FRONT RH- REAR LH	1	19/09/2016			
15	71314703A	SPACER	2	19/09/2016			
16	77110441A	SCREW TCEIF M5X16	2	05/09/2016			
17	53010226A	FLASHER LIGHT FRONT LH - REAR RH	1	19/09/2016			
18	74950011B	NUT, SPRING	2	19/09/2016			
19	85212511A	WASHER 4.5X9X0.5	2	19/09/2016			
20	52910231A	REFLEX REFLECTOR, REAR	1	19/09/2016			
21	87211251A	PLUG	1	19/09/2016			
22	85210532A	WASHER 8.2X20X1	4	18/11/2016			
23	4601D781B	COVER LAMP, LICENSE PLATE	1	29/03/2017			
24	56113381AA	PLATE PLATE HOLDER	1	31/05/2017			

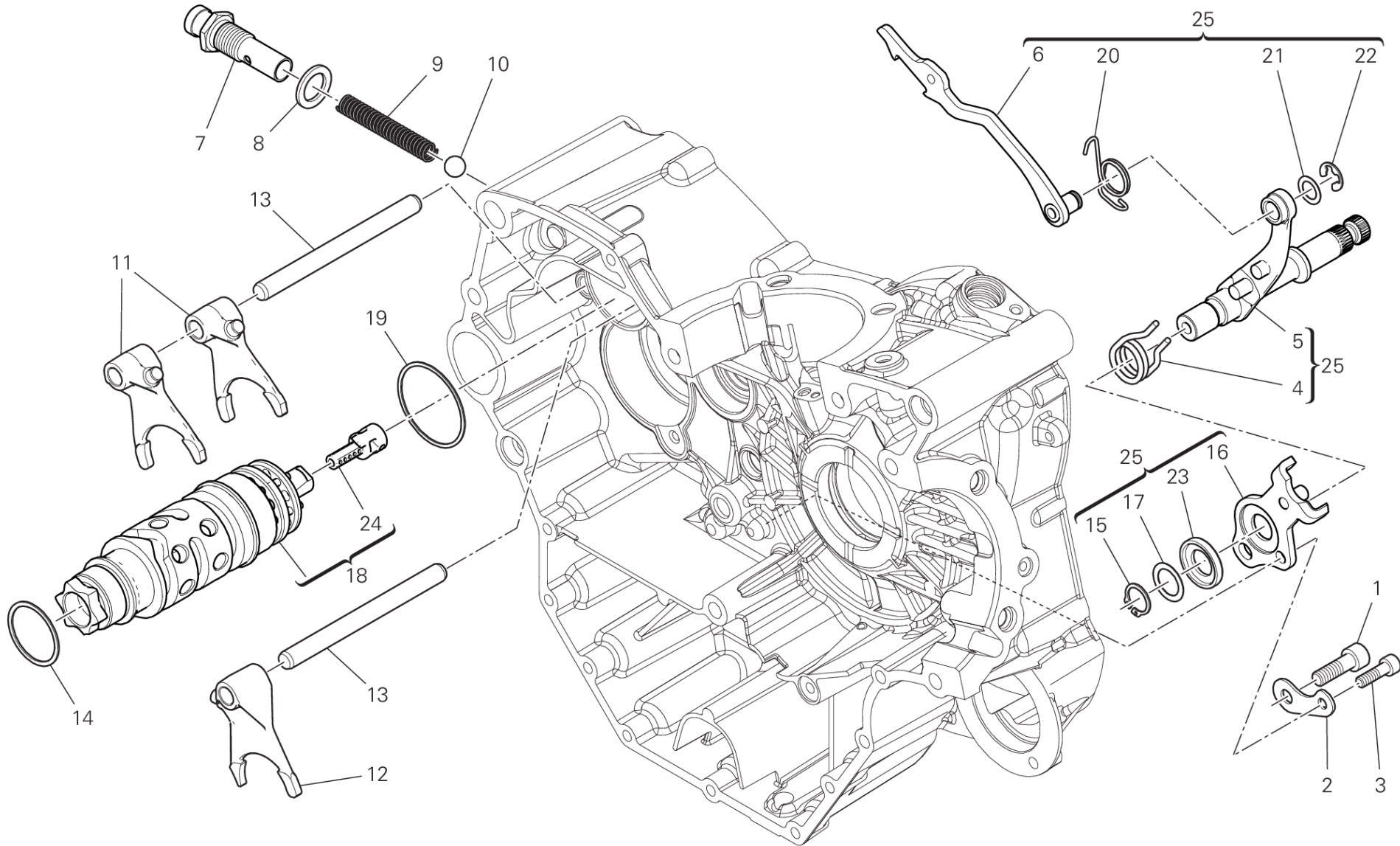


DRAWING L - SHELL ADVANCE

GROUP OIL



POS.	CODE	DESCRIPTION	QTY	START DATE	END DATE	VALIDITY	NOTES
1	944650035	SHELL ADVANCE DUCATI 15W50 - 1L BOTTLE	1				
2	944650037	SHELL ADVANCE DUCATI 15W50 – 209L DRUM	1				



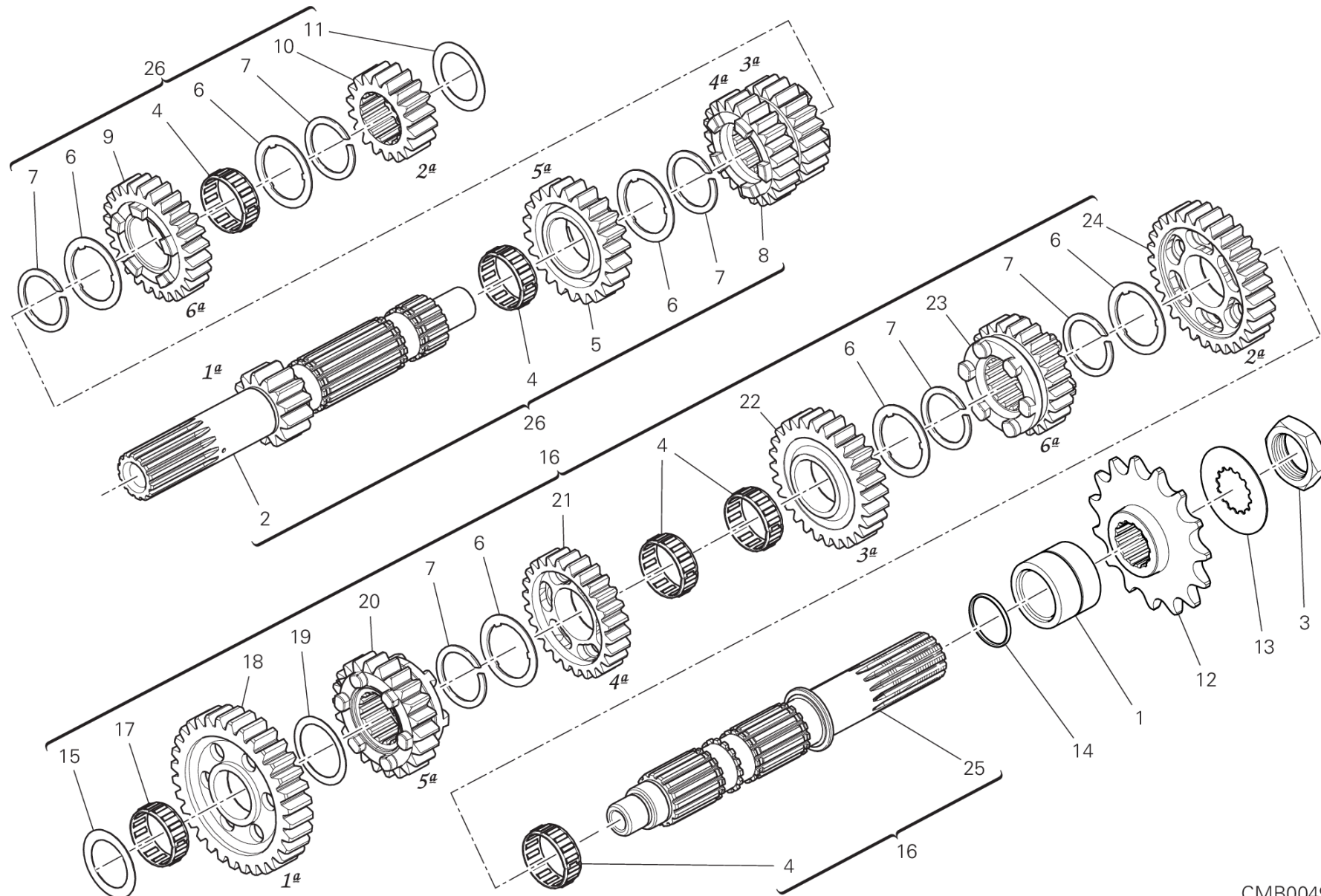
CMB00493

DRAWING 002 - SHIFT CAM - FORK [MOD:SS 939]

GROUP ENGINE



POS.	CODE	DESCRIPTION	QTY	START DATE	END DATE	VALIDITY	NOTES
1	77151250ZF	SCREW	1	18/09/2012			
2	71319151A	SPACER	1	19/09/2011			
3	77150670ZF	SCREW	1	18/09/2012			
4	79915061A	SPRING, SHIFT RETURN	1	03/05/2012			
5	82114731A	GEAR SELECTOR SHAFT	1	25/07/2016			
6	18020401A	CONTROL FORK	1	25/07/2016			
7	77918132A	SCREW, SPECIAL	1	02/11/2015			
8	027291090	GASKET 16.2X24X2	1	19/09/2011			
9	066013143	GEAR SELECTOR SPRING	1	19/09/2011			
10	768351134	BALL 11MM	1	19/09/2011			
11	180Z0031A	GEAR SELECTOR FORK,1ST/4TH-2ND/3RD	2	19/09/2011			
12	180Z0041A	FORK-SHIFT, 5TH&6TH	1	19/09/2011			
13	82113881A	FORK PIN	2	19/09/2011			
14	85210051A	THRUST WASHER 1 MM	1	10/02/2012			
15	735001542	CIRCLIP 15 DIN 471	1	24/12/2009			
16	82610261A	STOPPER PLATE	1	24/12/2009			
17	040029126	THRUST WASHER 15.5X22X0.5	1	24/12/2009			
18	18220651A	COMPLETE GEARBOX DRUM	1	02/11/2015			
19	85210941A	THRUST WASHER 45.2X49X0.9	1	10/02/2012			
20	79912961A	RETURN SPRING	1	24/12/2009			
21	040009050	THRUST WASHER 10.5X16X0.5	1	24/12/2009			
22	88450341B	SPRING RING	1	24/12/2009			
23	88110121A	CENTERING RING	1	24/12/2009			
24	55214911A	MAGNETE (Unit)	1	13/10/2015			
25	82120132A	CONTROL FORK	1	02/11/2015			



CMB00494

DRAWING 003 - GEAR BOX [MOD:SS 939]

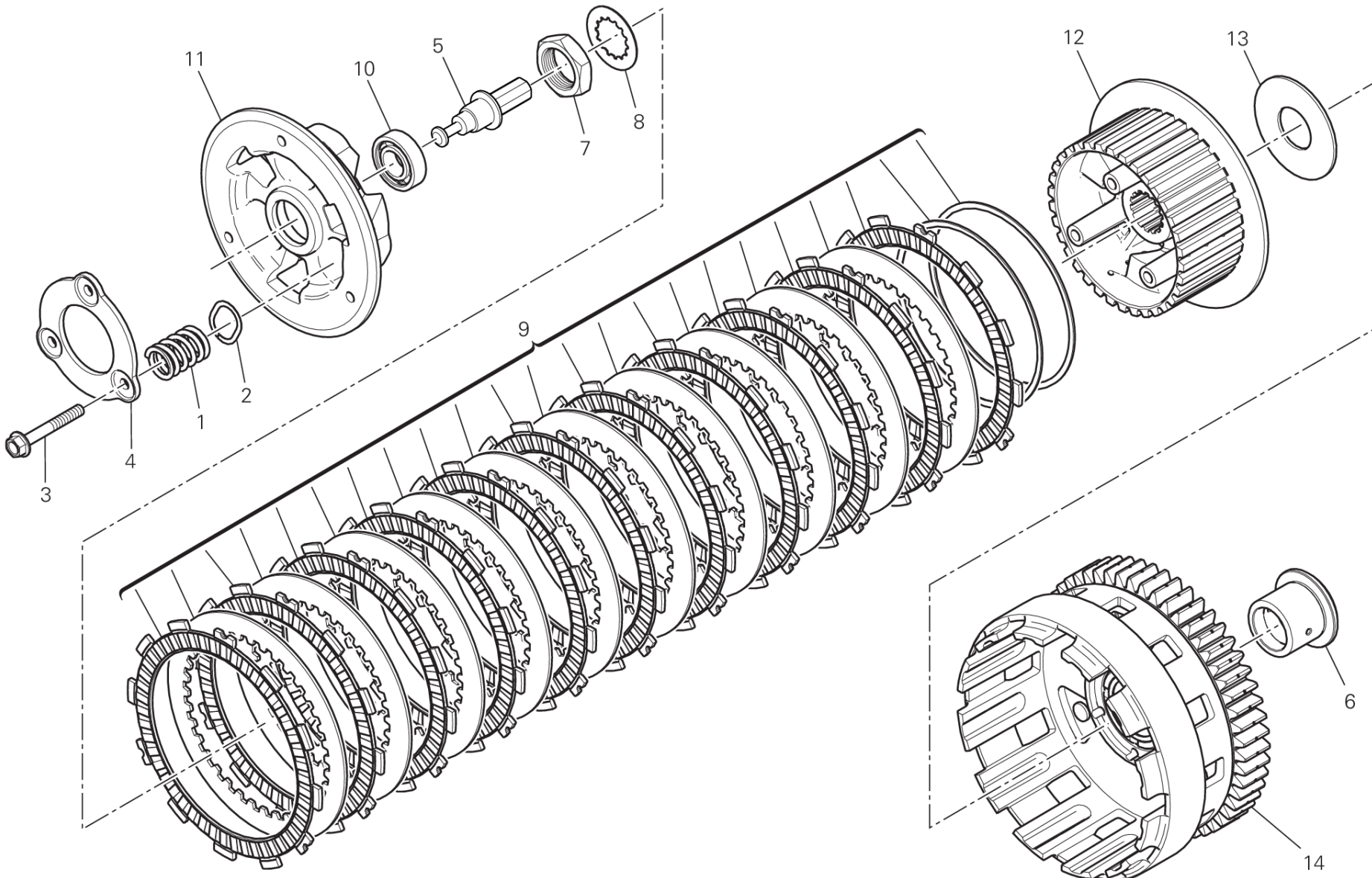
GROUP ENGINE



POS.	CODE	DESCRIPTION	QTY	START DATE	END DATE	VALIDITY	NOTES
1	71319951A	SPACER, ENGINE SPROCKET	1	02/11/2015			
2	14911101A	GEARBOX MAIN SHAFT	1	19/09/2011			
3	75010071A	NUT M25X1.5	1	15/11/2012			
4	70140051A	BEARING, NEEDLE	5	28/10/2011			
5	17214601A	DRIVEN GEAR 5TH SPEED 23T	1	19/09/2011			
6	85610011A	THRUST WASHER 0.5 MM	6	19/09/2011			
7	067016145	SPRING RING	6	19/09/2011			
8	17214591A	GEAR DRIVE 3/4TH SPEED T20/22	1	19/09/2011			
9	17214611A	GEAR DRIVE 6TH SPEED T24	1	19/09/2011			
10	17210021B	GEAR, 2ND DRIVE, NT:17	1	19/09/2011			
11	71310141E	THRUST WASHER 20.3X32X1.6	1	19/09/2011			
12	44910681A	SPROCKET T15	1	25/01/2017			
13	85110041A	WASHER, LOCK	1	15/11/2012			
14	46320537A	O-RING	1	19/09/2011			
15	71312661A	THRUST WASHER 17.3X31X3.15	1	28/10/2011			
16	15021831B	COMPLETE LAY SHAFT	1	28/10/2011			
17	764020002	BEARING, NEEDLE	1	28/10/2011			
18	17212182A	DRIVEN GEAR 1ST SPEED T37	1	28/10/2011			
19	067016155	THRUST WASHER 1 MM	1	28/10/2011			
20	17210103C	DRIVEN GEAR 5TH SPEED T24	1	28/10/2011			
21	17214621A	DRIVEN GEAR 4TH SPEED T:24	1	28/10/2011			
22	17210081C	DRIVEN GEAR 3RD SPEED T28	1	28/10/2011			
23	17210113C	DRIVEN GEAR 6TH SPEED T23	1	28/10/2011			
24	17212192A	DRIVEN GEAR 2ND SPEED T30	1	28/10/2011			
25	14911111B	LAY SHAFT	1	28/10/2011			
26	15021821A	COMPLETE MAIN SHAFT	1	28/10/2011			

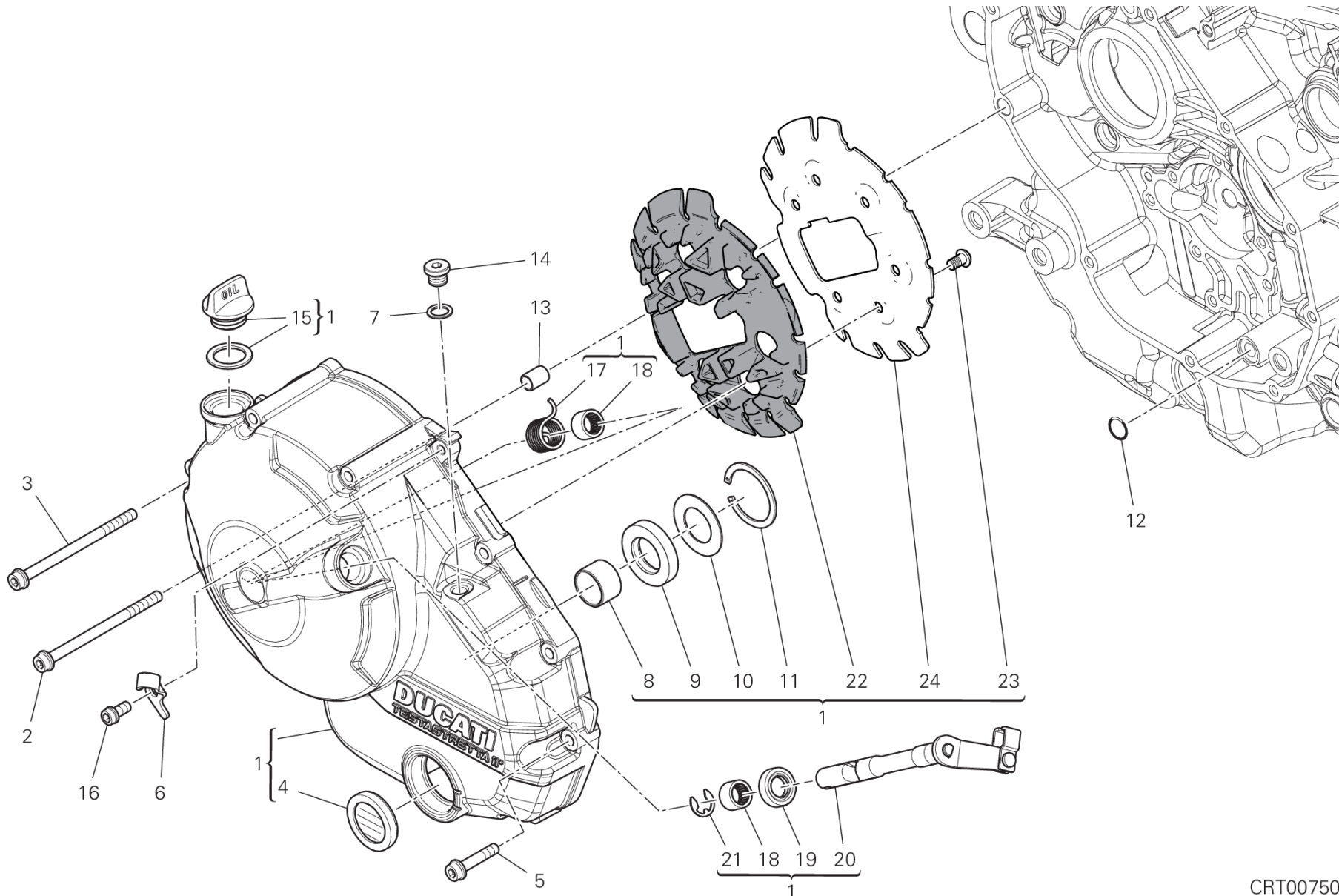


CMB00469





POS.	CODE	DESCRIPTION	QTY	START DATE	END DATE	VALIDITY	NOTES
1	79710731A	SPRING	3	18/03/2015			
2	85611391B	THRUST WASHER	3	13/04/2015			
3	77211201A	SCREW	3	19/11/2010			
4	19410511A	RING	1	19/11/2010			
5	81810431A	CLUTCH CONTROL PIN (FCC)	1	25/11/2014			
6	71314831B	SPACER	1	06/10/2014			
7	75010071E	NUT M25X1.5	1	25/11/2014			
8	85110201A	LOCK WASHER	1	11/11/2010			
9	19020232A	CLUTCH DISC SET	1	06/10/2014			
10	70250601A	BEARING	1	19/11/2010			
11	19610542C	DISK, CLUTCH PRESSURE (FCC)	1	06/10/2014			
12	19610681A	PLATE HOLDER HUB (FCC)	1	06/10/2014			
13	71313091A	SPACER	1	19/11/2010			
14	19820441A	PRIMARY DRIVEN GEAR COMP.	1	06/10/2014			



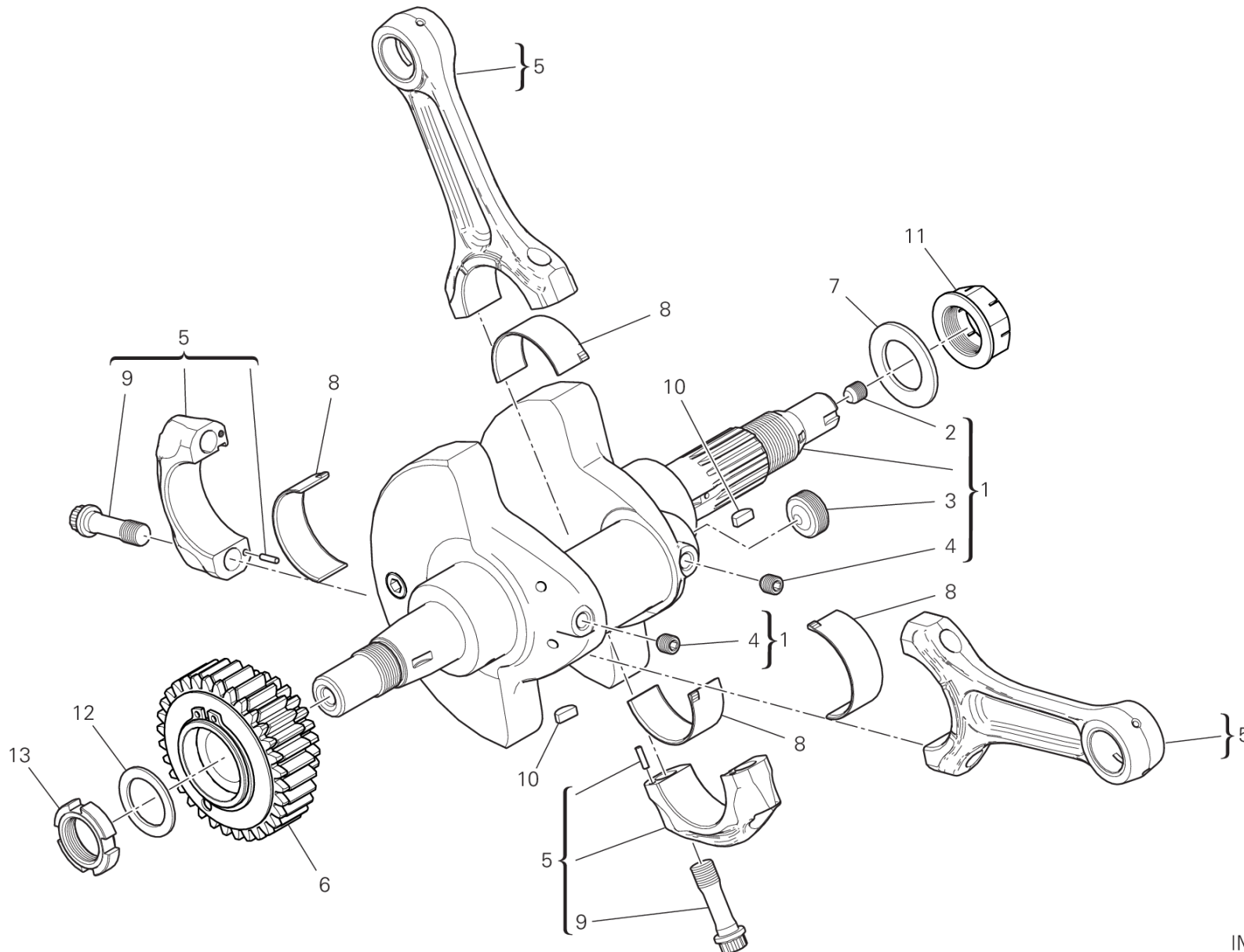
CRT00750

DRAWING 005 - CLUTCH COVER [MOD:SS 939]

GROUP ENGINE



POS.	CODE	DESCRIPTION	QTY	START DATE	END DATE	VALIDITY	NOTES
1	24321513AB	CLUTCH SIDE COVER	1	01/10/2016			
2	77140833C	SCREW TCEIF M6X90 10.9	1	19/09/2011			
3	77140813C	SCREW TCEIF M6X80 10.9	3	19/09/2011			
4	25440013A	WINDOW, OIL LEVEL CHECK	1	20/05/2016			
5	77140713C	SCREW TCEIF M6X30 10.9	6	19/09/2011			
6	74113331AA	PLATE	1	23/05/2016			
7	85250241A	WASHER 10X14X1	1	19/09/2011			
8	066549680	BUSH	1	17/01/2013			
9	93040211A	OIL SEAL	1	17/01/2013			
10	85211351A	THRUST WASHER 20.8X37.8X1	1	17/01/2013			
11	88450131A	CIRCLIP	1	17/01/2013			
12	88641321A	O-RING 11.11X1.78	1	19/09/2011			
13	71111601A	PIN DOWEL	1	19/09/2011			
14	78050012A	PLUG, THREADED M10X1	1	19/09/2011			
15	89320121A	PLUG ASSY	1	17/01/2013			
16	77156633B	SCREW	1	20/01/2013			
17	79915671A	SPRING	1	17/01/2013			
18	70140431A	NEEDLE BUSH	2	17/01/2013			
19	93041591A	SEAL RING	1	17/01/2013			
20	14720921D	LEVER, CLUTCH LIFTER	1	17/01/2013			
21	88450341B	SPRING RING	1	17/01/2013			
22	48611061A	DAMPER, SOUND ARRESTER	1	20/01/2015			
23	77550200CC	SCREW	6	20/05/2016			
24	82717901A	SHEET ACOUSTIC DAMPER	1	20/01/2015			



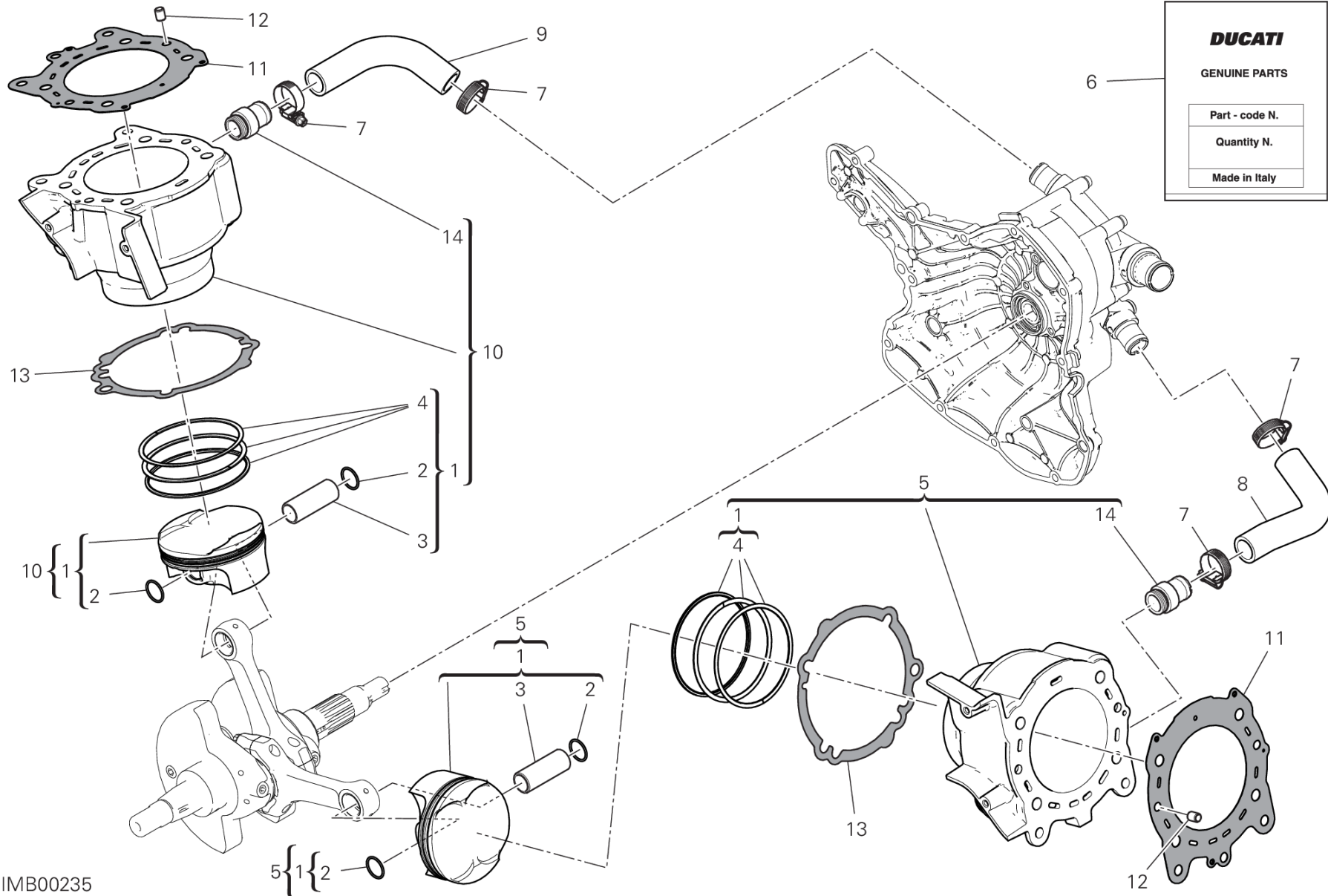
IMB00234

DRAWING 006 - CONNECTING RODS [MOD:SS 939]

GROUP ENGINE



POS.	CODE	DESCRIPTION	QTY	START DATE	END DATE	VALIDITY	NOTES
1	14622164AA	DRIVE SHAFT COMPLETO (Class A)	1	29/04/2016			
	14622164AB	DRIVE SHAFT COMPLETO (Class B)	1	29/04/2016			
	14622164AC	DRIVE SHAFT COMPLETO (Class C)	1	29/04/2016			
2	77911092A	SCREW, SPECIAL	1	14/09/2012			
3	78010161B	THREADED PLUG	1	26/04/2016			
4	77915471A	THREADED DOWEL STEI M8X8	2	14/09/2012			
5	15820234A	CONNECTING RODS PAIR	1	07/09/2015			
6	17021361A	PRIMARY DRIVE FRONT SPROCKET (Unit)	1	06/10/2014			
7	85212691A	WASHER	1	01/01/2013			
8	11210121AA	PLANE BEARING, CONNECTING ROD RED	4				
	11210121AB	PLANE BEARING, CONNECTING ROD BLUE	4				
	11210121AC	PLANE BEARING, CONNECTING ROD YELLOW	4				
	11210121AD	PLANE BEARING, CONNECTING ROD BLACK	4				
	11210121AE	PLANE BEARING, CONNECTING ROD GREEN	4				
9	77914043B	BOLT, CONNECTING ROD	4	01/01/2011			
10	68010131A	KEY, WOODRUFF 4X5X10	2	19/09/2011			
11	75010121D	NUT, SPECIAL	1	01/01/2013			
12	85140031A	WASHER, LOCK	1	25/11/2014			
13	75011131A	RING NUT	1	25/11/2014			



IMB00235

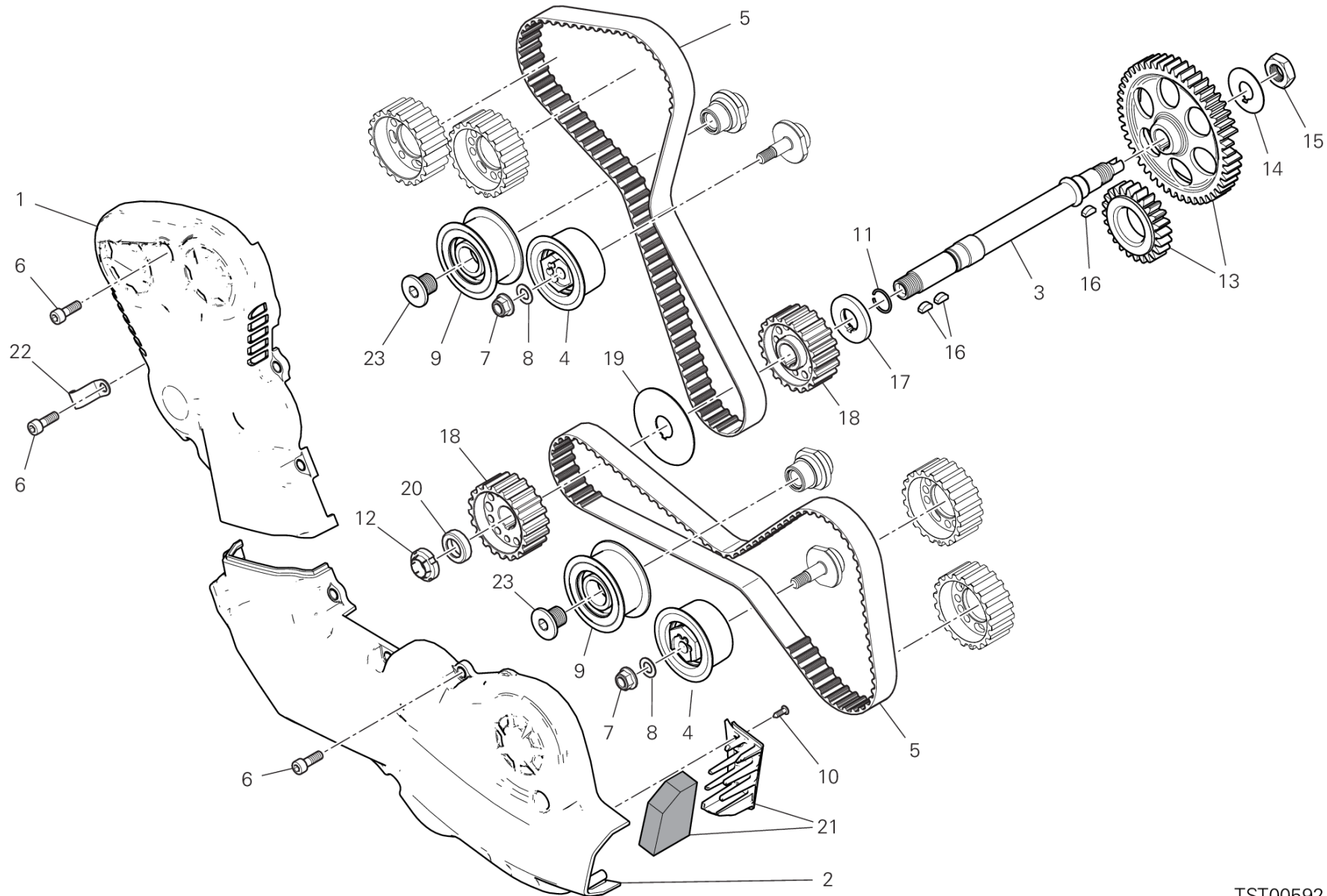
5 { 1 } 2

DRAWING 007 - CYLINDERS - PISTONS [MOD:SS 939]

GROUP ENGINE



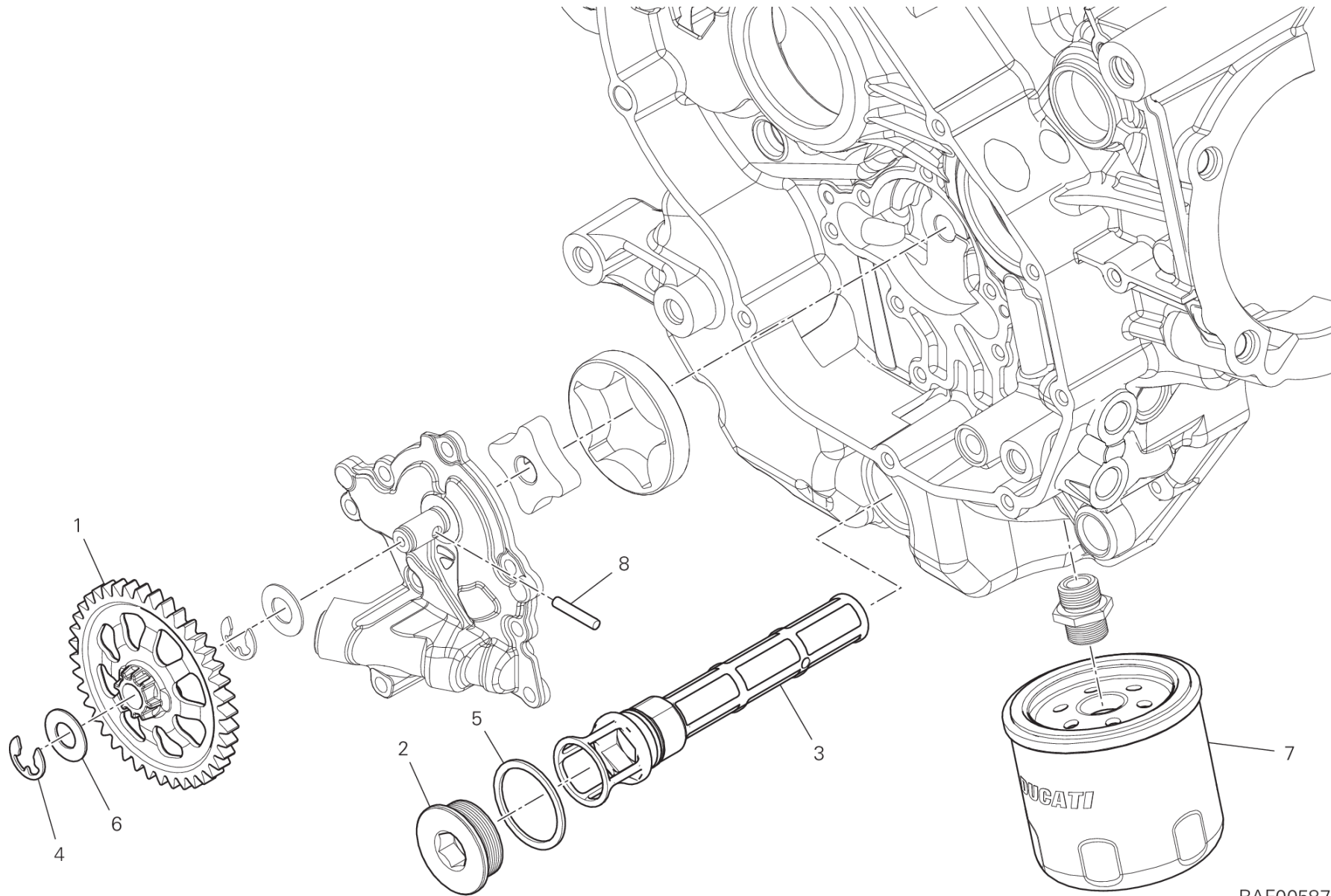
POS.	CODE	DESCRIPTION	QTY	START DATE	END DATE	VALIDITY	NOTES
1	12222261E	PISTON ASSY	2	20/06/2016			
2	12110791A	CIRCLIP, PISTON PIN	4	11/05/2015			
3	12110781B	PISTON PIN	2	11/05/2015			
4	12120681A	PISTON RING SET	2	11/05/2015			
5	12022612EC	HORIZONTAL CYLINDER-PISTON ASSY	1	01/10/2016			
6	79120571B	GASKETS SET	1	25/11/2014			
7	74142581A	CLAMP 16-27 MM	4	22/02/2016			
8	80011851A	HOSE, HORIZONTAL CYLINDER WATER INLET	1	25/11/2014			
9	80012483A	HOSE, VERTICAL CYLINDER WATER INLET	1	01/10/2016			
10	12022622EC	VERTICAL CYLINDER-PISTON ASSY	1	01/10/2016			
11	78610961A	GASKET, CYLINDER HEAD	2	03/02/2015			
12	71112191A	PIN DOWEL	4	19/09/2011			
13	78611251A	GASKET, CYLINDER	2	19/09/2011			
14	66810482A	WATER PUMP DELIVERY PIPE UNION	2	28/10/2011			



TST00592



POS.	CODE	DESCRIPTION	QTY	START DATE	END DATE	VALIDITY	NOTES
1	24511351A	VERTICAL BELT OUTER COVER	1	02/11/2015			
2	24511431A	HORIZONTAL BELT EXTERNAL COVER	1	24/12/2009			
3	14710811A	LAYSHAFT TIMING	1	19/09/2011			
4	45120241A	COMPLETE MOVABLE TENSIONER ROLLER	2	30/01/2017			
5	73740252A	TIMING DRIVE TOOTHED BELT	2	23/01/2012			
6	77113801A	SCREW	13	19/09/2011			
7	74940081A	NUT M8	2	19/09/2011			
8	85310021A	SPRING WASHER 8 MM	2	01/01/2012			
9	45120122A	TENSIONER TIMING BELT FIXED	2	30/01/2017			
10	77250341C	SCREW	2	31/05/2012			
11	88210031A	SNAP RING	1	19/09/2011			
12	70350062A	ELASTIC-STOP RING NUT	1	19/09/2011			
13	17122271A	TIMING GEARS SET	1	19/09/2011			
14	85110131A	WASHER, LOCK	1	19/09/2011			
15	75011601A	NUT M14X1X7	1	19/09/2011			
16	68010131A	KEY, WOODRUFF 4X5X10	3	19/09/2011			
17	71611281A	SPACER	1	19/09/2011			
18	25510104B	PULLEY, TIMING BELT	2	19/09/2011			
19	85610623A	WASHER, BELT PULLEY	1	17/09/2012			
20	71610722A	SPACER	1	19/09/2011			
21	24521071A	BRACKET, FILTER	1	06/06/2013			
22	74113321A	CLAMP	1	23/05/2016			
23	77911871A	SCREW	2	30/01/2017			



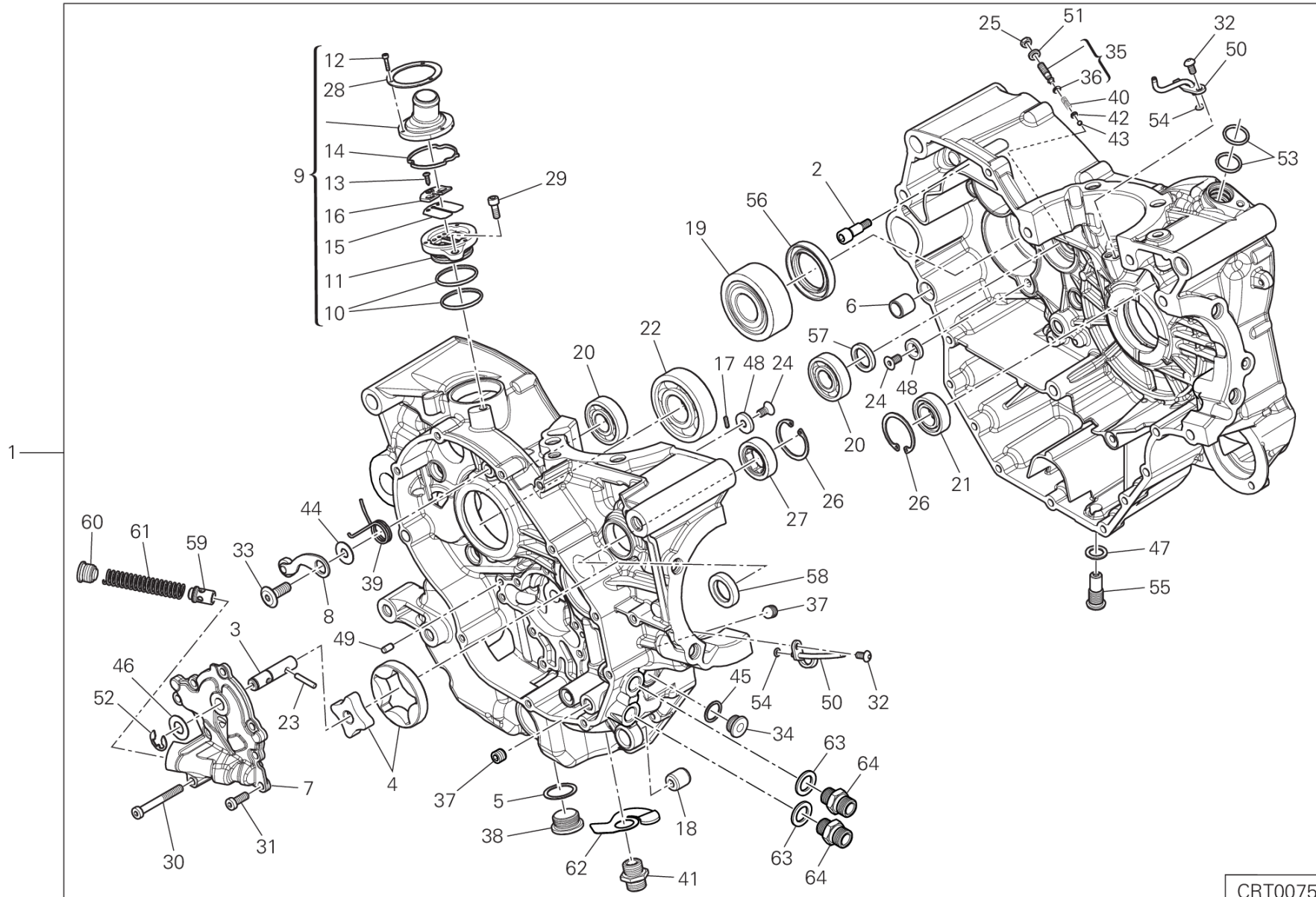
RAF00587

DRAWING 009 - FILTERS AND OIL PUMP [MOD:SS 939]

GROUP ENGINE



POS.	CODE	DESCRIPTION	QTY	START DATE	END DATE	VALIDITY	NOTES
1	17410621B	GEAR, OIL PUMP DRIVE	1	29/01/2014			
2	87310371A	THREADED PLUG M32X1.5	1	19/09/2011			
3	89420121F	OIL NET FILTER	1	02/06/2014			
4	88450371A	SNAP RING	1	20/02/2014			
5	85250051A	GASKET 32X38X1.5	1	19/09/2011			
6	85213021A	WASHER, THRUST	1	20/02/2014			
7	44440035A	FILTER, OIL	1	19/09/2011			
8	70450091A	ROLLER	1	20/02/2014			



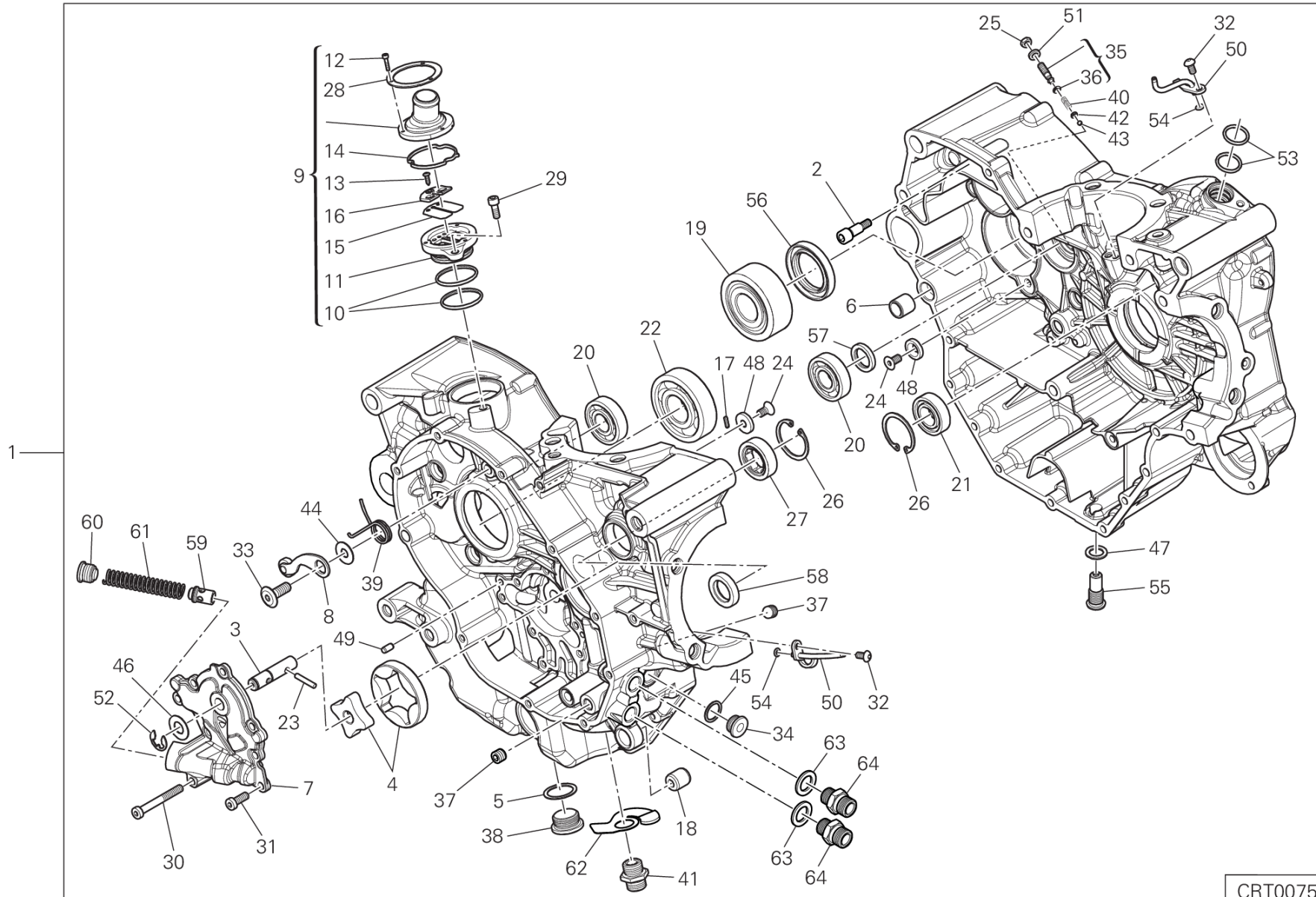
CRT00751

DRAWING 010 - HALF-CRANKCASES PAIR [MOD:SS 939]

GROUP ENGINE



POS.	CODE	DESCRIPTION	QTY	START DATE	END DATE	VALIDITY	NOTES
1	22523381C	CRANKCASE	1	19/01/2017			
2	77919881A	SCREW, SPECIAL	2	21/04/2016			
3	14710951B	OIL PUMP DRIVE SHAFT	1	20/02/2014			
4	17420591A	OIL PUMP ROTOR	1	04/04/2014			
5	22032083A	GASKET, ALUMINIUM 28X22.5X1	1	04/02/2014			
6	71110951A	PIN DOWEL	2	07/11/2011			
7	24714612A	OIL PUMP COVER	1	04/04/2014			
8	45520181A	GEAR FIXING CLICK ASSEMBLY	1	23/09/2011			
9	59320581B	VALVE, BREATHER	1	13/10/2015			
10	46320222A	O-RING	2	02/04/2010			
11	59310601B	HOLDER READ VALVE	1	02/04/2010			
12	77150078B	SCREW	3	15/10/2010			
13	77250341B	SCREW, TAPPING 3.5X12	1	02/04/2010			
14	78811151A	GASKET	1	02/04/2010			
15	81110021A	REED VALVE ASSY	1	02/04/2010			
16	82716031A	SPACER	1	02/04/2010			
17	68050101A	KEY 2X2X10	1	23/09/2011			
18	70010362A	DAMPER	1	23/09/2011			
19	70240131D	BEARING	1	04/02/2014			
20	70240331A	BEARING 17X40X12	2	04/02/2014			
21	70250081A	BALL BEARING 6003 TN9 C3	1	04/02/2014			
22	70250193A	BEARING	1	23/09/2011			
23	70450091A	ROLLER	1	20/02/2014			
24	720941616	SCREW TSPEI M6X12	4	04/02/2014			
25	74710151A	NUT	1	04/04/2014			
26	735033380	CIRCLIP	2	04/02/2014			
27	757941542	BEARING	1	04/02/2014			
28	85213011A	RING	1	15/10/2010			
29	77150653B	SCREW TCEI M6X16 UNI5931 8.8	1	04/02/2014			
30	77150758B	SCREW	1	20/02/2014			
31	77350658B	SCREW TCEIR M6X16	7	20/02/2014			
32	77510311B	SCREW TBEI M5X10	2	23/09/2011			
33	77910391A	SCREW M8X21.5	1	04/02/2014			
34	77911982A	THREADED PLUG M15X1	1	04/02/2014			
35	77927171A	SCREW	1	04/04/2014			



CRT00751

DRAWING 010 - HALF-CRANKCASES PAIR [MOD:SS 939]

GROUP ENGINE

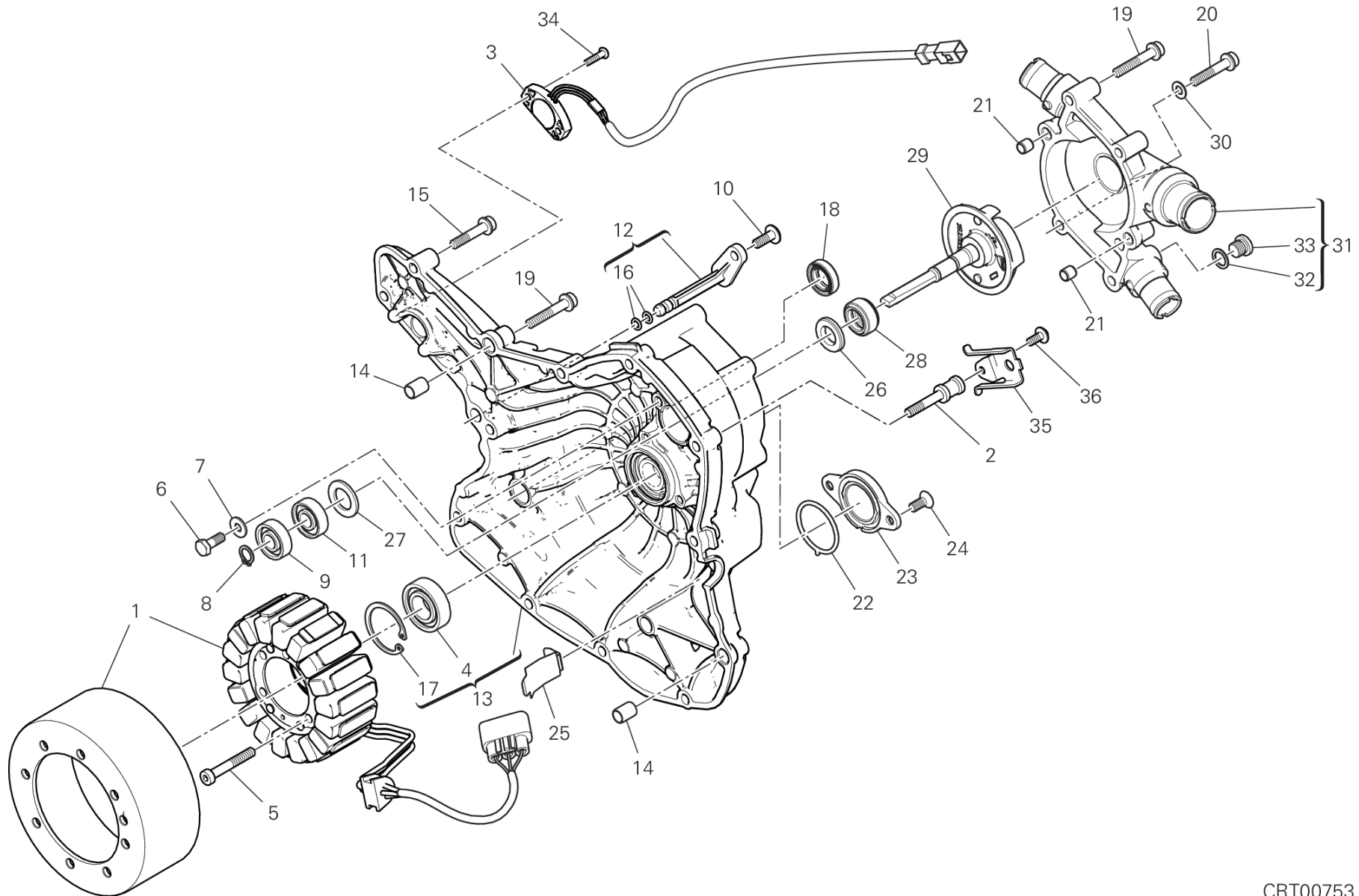


POS.	CODE	DESCRIPTION	QTY	START DATE	END DATE	VALIDITY	NOTES
36	88641961A	O-RING	1	18/04/2011			
37	77950621A	THREADED DOWEL M10X1	2	23/09/2011			
38	78010921A	PLUG	1	04/02/2014			
39	79910491A	SPRING, RETURN	1	04/02/2014			
40	79940171A	SPRING	1	04/02/2014			
41	81510281A	BOLT UNION	1	04/02/2014			
42	83110151B	PLATE	1	04/02/2014			
43	84740061A	BALL	1	04/02/2014			
44	85210532A	WASHER 8.2X20X1	1	04/02/2014			
45	85211201A	ALUMINIUM GASKET	1	04/02/2014			
46	85213021A	WASHER, THRUST	1	20/02/2014			
47	85250421A	COPPER GASKET 12.2X18X1.5 MM	1	04/02/2014			
48	85611481A	WASHER	4	04/02/2014			
49	86050061A	PIN M5X10	2	04/02/2014			
50	87511461B	JET	2	14/12/2015			
51	85640141A	WASHER	1	14/12/2015			
52	88450371A	SNAP RING	1	20/02/2014			
53	88640331A	O-RING 17.96X2.62	2	04/02/2014			
54	88650131A	O-RING 3.68X1.78	2	04/02/2014			
55	89320062A	PLUG, OIL DRAIN	1	04/02/2014			
56	93040221A	SEAL, OIL 35X52X7	1	04/02/2014			
57	93040931A	SEAL, OIL 17X25X4	1	04/02/2014			
58	93041231A	SEAL, OIL 18X30X6	1	04/02/2014			
59	59310801B	BY-PASS VALVE	1	20/02/2014			
60	78010941B	PLUG	1	20/02/2014			
61	79915741B	BYPASS SPRING	1	20/02/2014			
62	79920772A	BYPASS SPRING	1	14/12/2015			
63	78710111A	GASKET, ALUMINIUM 14X22X2	2	14/12/2015			
64	81510221A	NIPPLE, HOSEM14X1.5	2	14/12/2015			



DRAWING 011 - WATER PUMP-ALTR-SIDE CRNKCASE COVER [MOD:SS 939]

GROUP ENGINE



CRT00753

DRAWING 011 - WATER PUMP-ALTR-SIDE CRNKCSE COVER [MOD:SS 939]

GROUP ENGINE

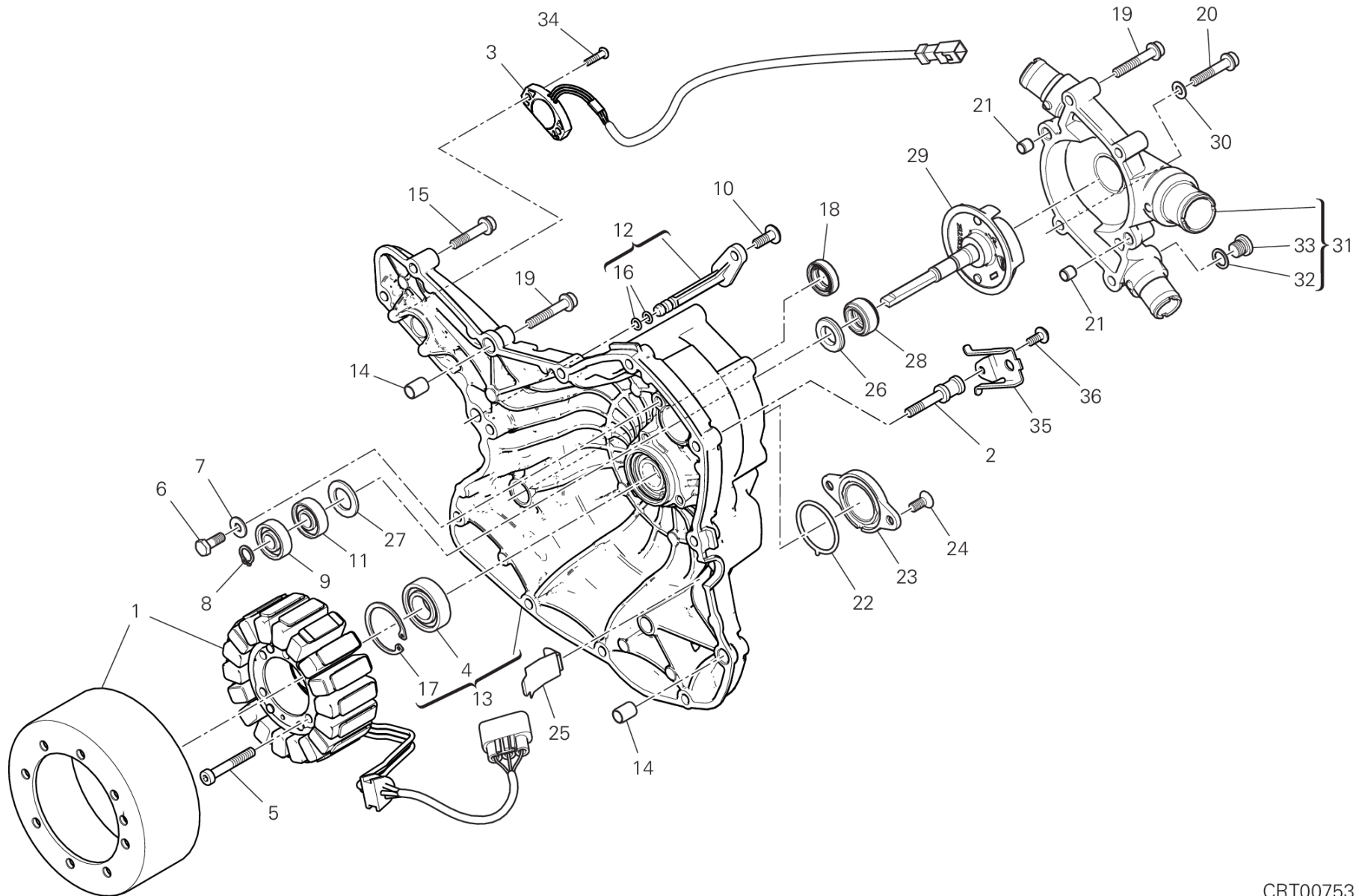


POS.	CODE	DESCRIPTION	QTY	START DATE	END DATE	VALIDITY	NOTES
1	26420461B	GENERATOR DENSO	1	02/11/2015			
2	77917711AA	SCREW, SPECIAL	1	17/05/2016			
3	55243521A	GEARBOX POSITION SENSOR	1	04/03/2016			
4	70250081A	BALL BEARING 6003 TN9 C3	1	17/10/2011			
5	77350738BC	SCREW	3	04/03/2016			
6	77052508B	SCREW TE M6X16	2	17/10/2011			
7	85211721A	WASHER 6X14.2X1.3	2	19/09/2011			
8	88450431A	CIRCLIP	1	09/03/2015			
9	70240102A	BEARING	1	17/10/2011			
10	77240423C	SCREW TBEIF M6X16 10.9	1	16/04/2013			
11	70240091A	BALL BEARING 6000	1	17/10/2011			
12	87321271A	PLUG	1	02/11/2015			
13	24221491BD	GENERATOR COVER	1	04/03/2016			
14	71111601A	PIN DOWEL	2	19/09/2011			
15	77140713C	SCREW TCEIF M6X30 10.9	10	19/11/2012			
16	88641731A	O-RING 1.78X4.76	2	02/12/2011			
17	735033380	CIRCLIP	1	04/03/2016			
18	937831524	SEAL, OIL 15X24X6	1	17/10/2011			
19	77140723C	SCREW TCEIF M6X35 10.9	6	25/11/2014			
20	77113961A	SCREW	2	09/03/2015			
21	71110922A	BUSH	2	09/03/2015			
22	88610951A	O-RING 32.99X2.62	1	19/09/2011			
23	24713571AE	COVER	1	02/11/2015			
24	77750493C	SCREW	2	19/09/2011			
25	82716091A	PLATE	1	09/03/2015			
26	93050051A	MECHANICAL SEAL	1	19/09/2011			
27	71311281B	SPACER	1	17/10/2011			
28	93050062B	MECHANICAL SEAL	1	19/09/2011			
29	25120131A	WATER PUMP ROTOR	1	09/03/2015			
30	85250481A	GASKET 6X12X1 DIN7603-A	2	09/03/2015			
31	24724481AF	COMPLETE WATER PUMP COVER	1	04/03/2016			
32	85250241A	WASHER 10X14X1	1	19/09/2011			
33	78050012A	PLUG, THREADED M10X1	1	19/09/2011			
34	72050069E	SCREW	2	04/03/2016			
35	8301F531AA	LEFT BRACKET	1	03/10/2016			



DRAWING 011 - WATER PUMP-ALTR-SIDE CRNKCASE COVER [MOD:SS 939]

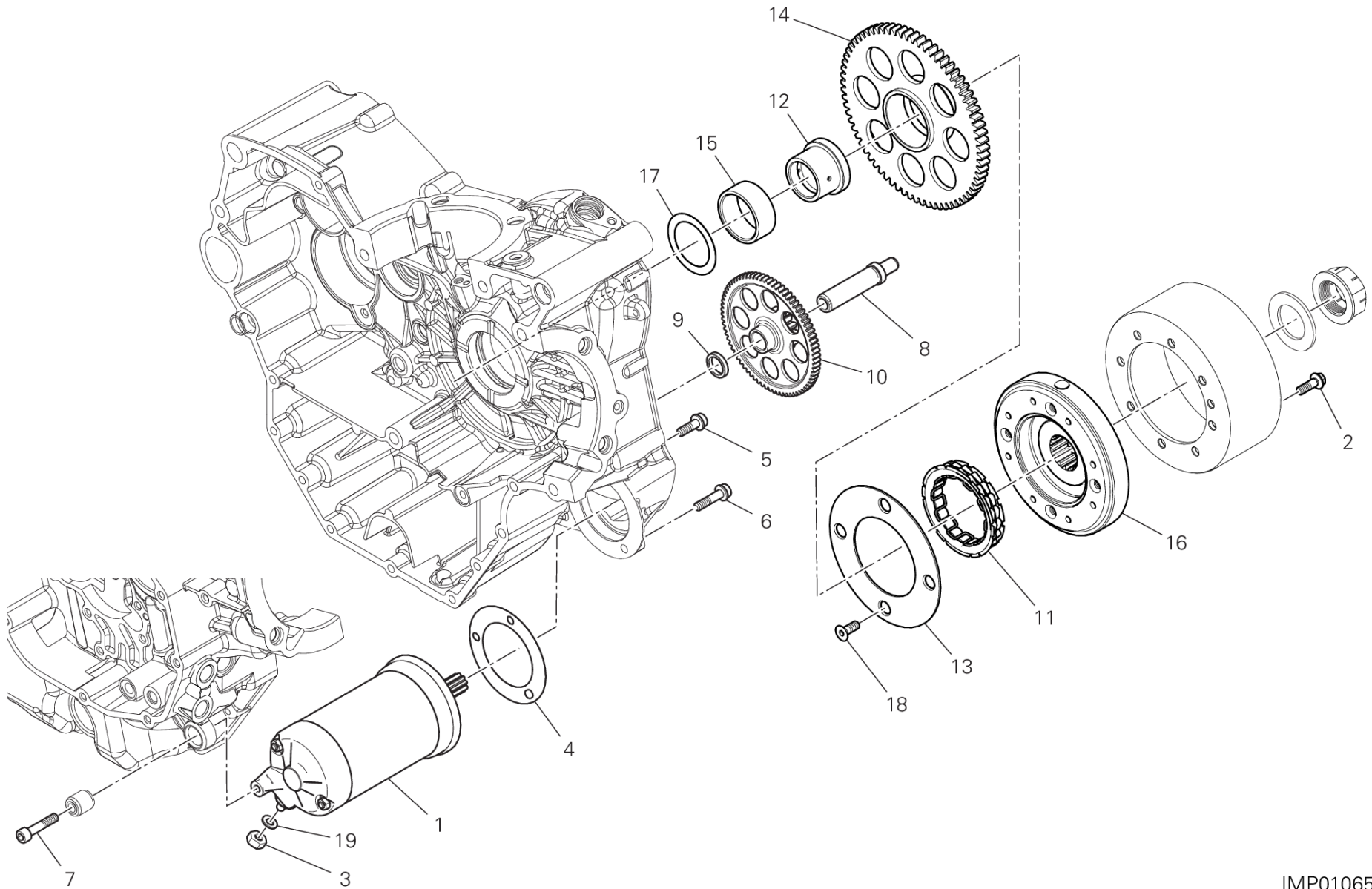
GROUP ENGINE



CRT00753



POS.	CODE	DESCRIPTION	QTY	START DATE	END DATE	VALIDITY	NOTES
36	77244173B	SCREW	1	03/10/2016			



IMP01065

DRAWING 012 - ELECTRIC STARTING AND IGNITION [MOD:SS 939]

GROUP ENGINE

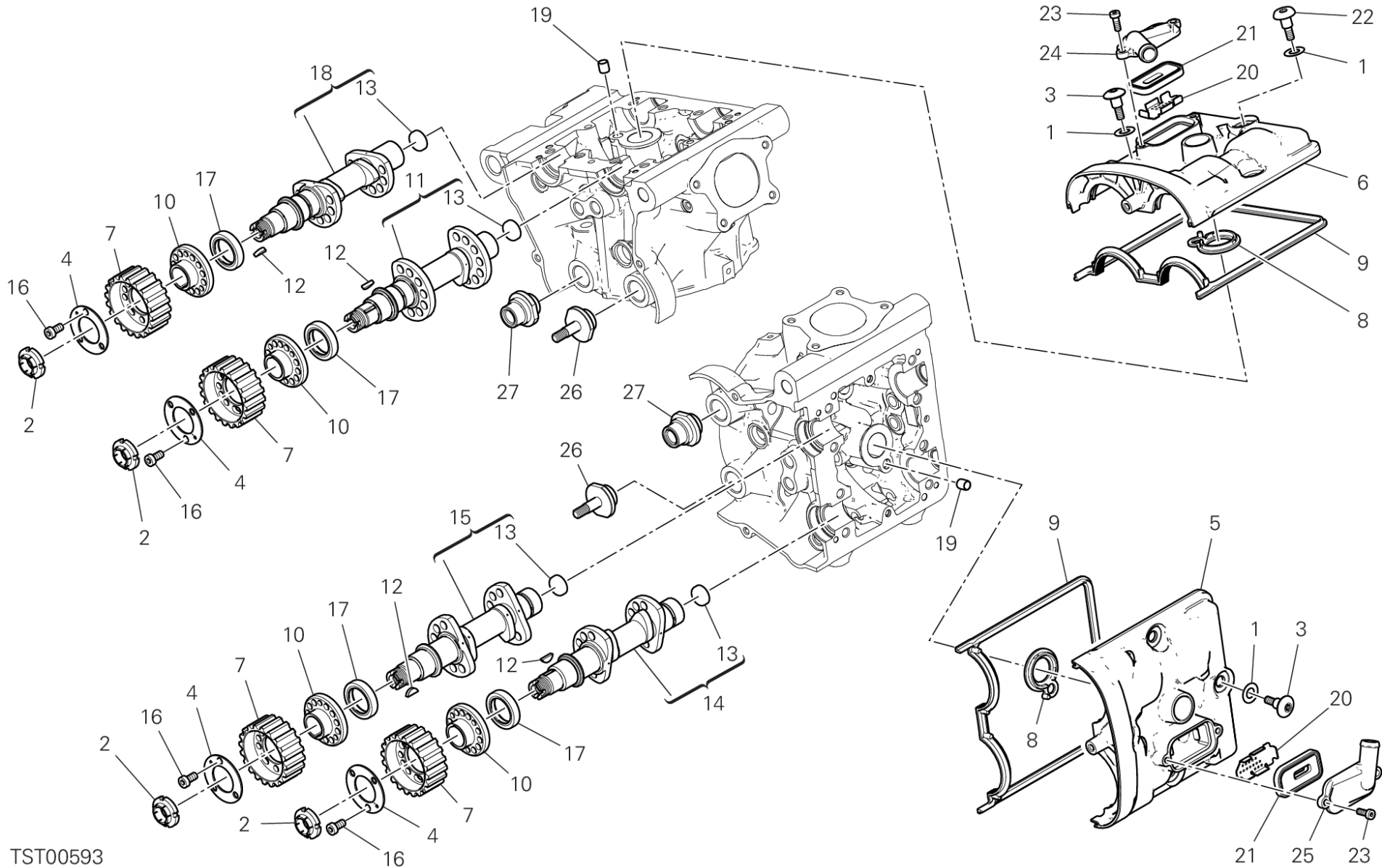


POS.	CODE	DESCRIPTION	QTY	START DATE	END DATE	VALIDITY	NOTES
1	27040104A	STARTING MOTOR	1	15/10/2012			
2	77253300ZF	SCREW	8	25/11/2014			
3	75050051A	NUT 6MM	1	23/05/2016			
4	78810542A	ENGINE STARTER GASKET	1	19/09/2011			
5	77140667CF	SCREW	2	25/11/2014			
6	77140697CF	SCREW 6x25	1	19/09/2011			
7	77110521A	SCREW TCEI M6X30	1	19/09/2011			
8	82113471A	STARTER REDUCTION SHAFT	1	19/09/2011			
9	71319191A	SPACER	1	19/09/2011			
10	176Z0021A	IDLE GEAR T74/13	1	19/09/2011			
11	70140471A	CLUTCH, ONE WAY	1	25/11/2014			
12	88110101C	BUSH	1	19/09/2011			
13	160Z0041A	PLATE CLUTCH, ONE WAY	1	25/11/2014			
14	17310291A	ELECTRIC STARTER DRIVEN GEAR	1	19/09/2011			
15	70140031A	BEARING, NEEDLE	1	19/09/2011			
16	27610901A	IGNITION FLYWHEEL	1	25/11/2014			
17	061950065	THRUST WASHER 35.5X48	1	19/09/2011			
18	77750508CC	SCREW	4	24/03/2016			
19	85350101A	WASHER, SPRING	1	10/04/2017			



DRAWING 013 - CYLINDER HEAD : TIMING SYSTEM [MOD:SS 939]

GROUP ENGINE



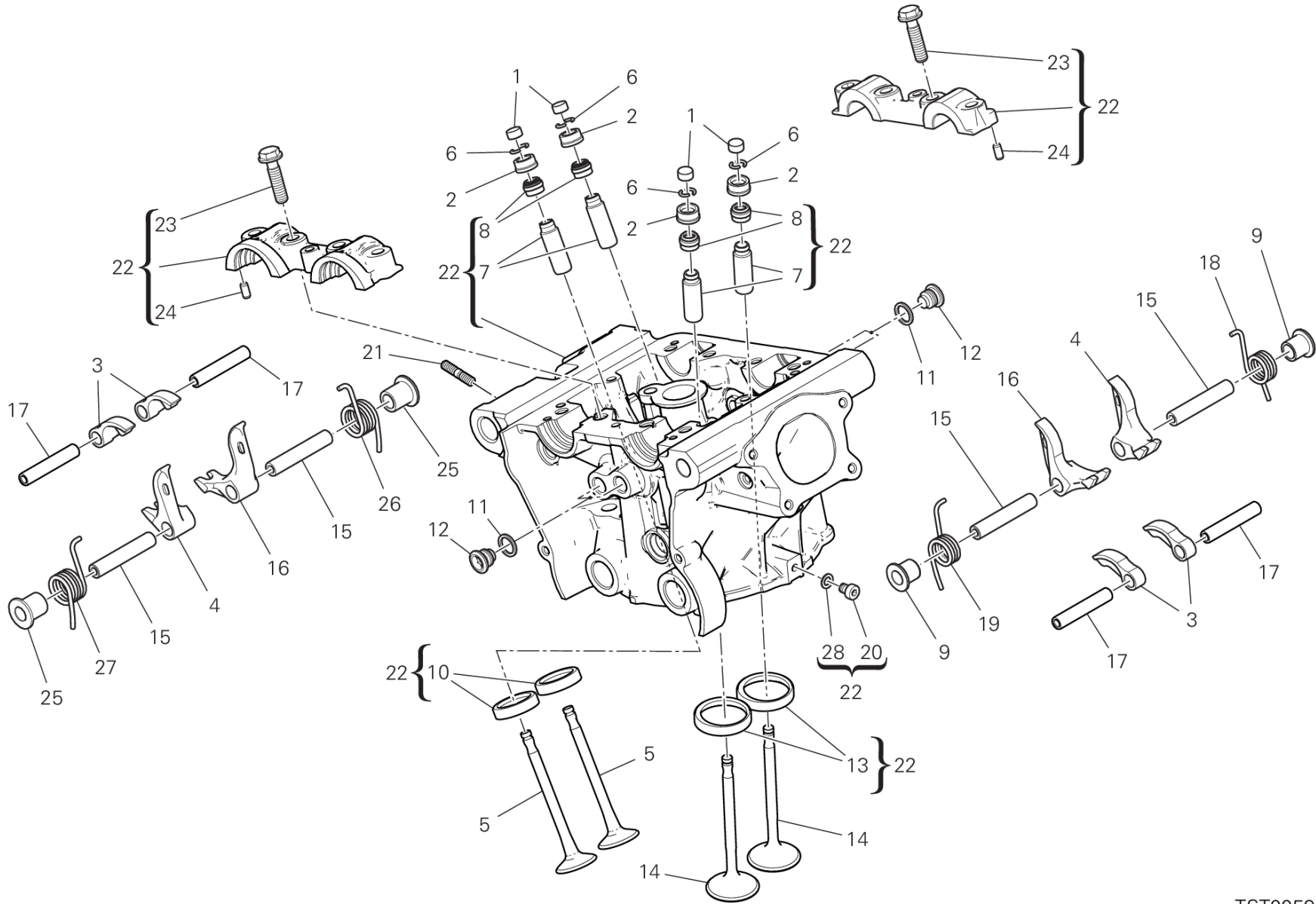
TST00593

DRAWING 013 - CYLINDER HEAD : TIMING SYSTEM [MOD:SS 939]

GROUP ENGINE



POS.	CODE	DESCRIPTION	QTY	START DATE	END DATE	VALIDITY	NOTES
1	88650511A	O-RING 12.39X3.53	8	07/12/2012			
2	70350024A	RING NUT	4	07/12/2012			
3	77915093A	SCREW, SPECIAL	5	07/12/2012			
4	85610743A	WASHER, SPECIAL	4	07/12/2012			
5	24714141AC	COVER CYLINDER HEAD, HORIZONTAL	1	31/05/2013			
6	24714151AC	COVER CYLINDER HEAD, VERTICAL	1	31/05/2013			
7	25510193A	TIMING BELT PULLEY, DRIVEN T20	4	07/12/2012			
8	78811211A	GASKET	2	07/12/2012			
9	78810931A	GASKET CYLINDER HEAD COVER	2	07/12/2012			
10	16010941A	FLANGE	4	07/12/2012			
11	14824232A	VERTICAL INTAKE CAMSHAFT	1	13/10/2015			
12	68050061A	WOODRUFF KEY 3X5	4	07/12/2012			
13	87310051A	PLUG 18 MM	4	24/12/2009			
14	14824242A	HORIZONTAL EXHAUST CAMSHAFT	1	13/10/2015			
15	14824222A	HORIZONTAL INTAKE CAMSHAFT	1	13/10/2015			
16	77950302A	SCREW TC M6X12	12	07/12/2012			
17	93050072A	SEAL RING	4	13/10/2015			
18	14824252A	VERTICAL EXHAUST CAMSHAFT	1	13/10/2015			
19	71113741A	BUSH	2	07/12/2012			
20	82716351A	PLATE	2	07/12/2012			
21	81140012B	VALVE	2	07/12/2012			
22	77918141A	SCREW, SPECIAL	3	11/06/2013			
23	77350403B	SCREW	4	07/12/2012			
24	24714171A	COVER VERTICAL	1	07/12/2012			
25	24714891A	COVER HORIZONTAL	1	06/03/2015			
26	45110462A	MOVABLE TENSIONER ROLLER PIN	2	08/04/2015			
27	45110491A	TENSIONER ROLLER PIN	2	10/01/2017			



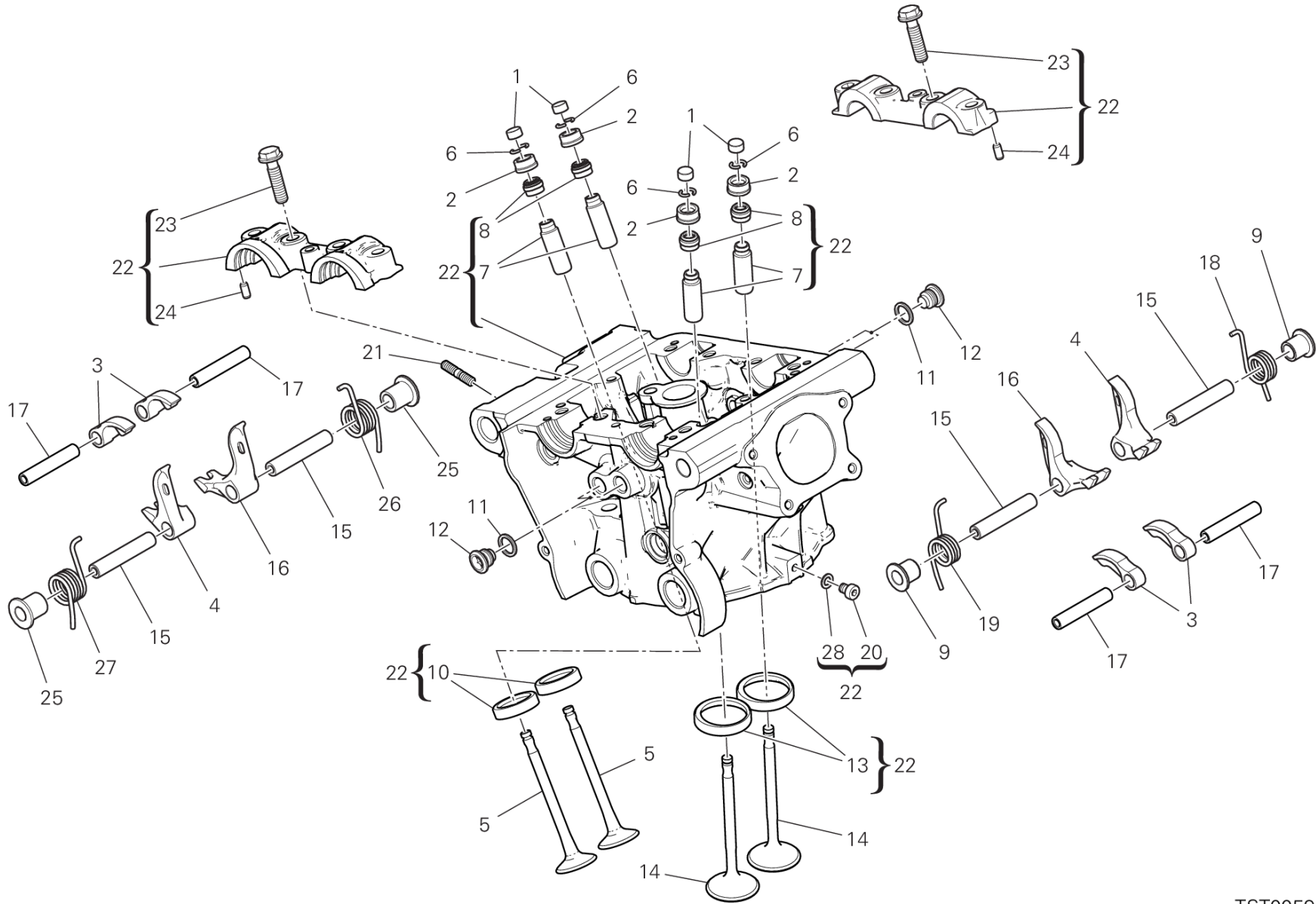
TST00594

DRAWING 014 - VERTICAL HEAD [MOD:SS 939]

GROUP ENGINE



POS.	CODE	DESCRIPTION	QTY	START DATE	END DATE	VALIDITY	NOTES
1	84010012A	ADJUSTER, OPENING ROCKER ARM 2.00 MM	4	20/06/2012			
	84010022A	ADJUSTER, OPENING ROCKER ARM 2.05 MM	4	20/06/2012			
	84010032A	ADJUSTER, OPENING ROCKER ARM 2.10 MM	4	20/06/2012			
	84010042A	ADJUSTER, OPENING ROCKER ARM 2.15 MM	4	20/06/2012			
	84010052A	ADJUSTER, OPENING ROCKER ARM 2.20 MM	4	20/06/2012			
	84010062A	ADJUSTER, OPENING ROCKER ARM 2.25 MM	4	20/06/2012			
	84010072A	ADJUSTER, OPENING ROCKER ARM 2.30 MM	4	20/06/2012			
	84010082A	ADJUSTER, OPENING ROCKER ARM 2.35 MM	4	20/06/2012			
	84010092A	ADJUSTER, OPENING ROCKER ARM 2.40 MM	4	20/06/2012			
	84010102A	ADJUSTER, OPENING ROCKER ARM 2.45 MM	4	20/06/2012			
	84010112A	ADJUSTER, OPENING ROCKER ARM 2.50 MM	4	20/06/2012			
	84010122A	ADJUSTER, OPENING ROCKER ARM 2.55 MM	4	20/06/2012			
	84010132A	ADJUSTER, OPENING ROCKER ARM 2.60 MM	4	20/06/2012			
	84010142A	ADJUSTER, OPENING ROCKER ARM 2.65 MM	4	20/06/2012			
	84010152A	ADJUSTER, OPENING ROCKER ARM 2.70 MM	4	20/06/2012			
	84010162A	ADJUSTER, OPENING ROCKER ARM 2.75 MM	4	20/06/2012			
	84010172A	ADJUSTER, OPENING ROCKER ARM 2.80 MM	4	20/06/2012			
	84010182A	ADJUSTER, OPENING ROCKER ARM 2.85 MM	4	20/06/2012			
	84010192A	ADJUSTER, OPENING ROCKER ARM 2.90 MM	4	20/06/2012			
	84010202A	ADJUSTER, OPENING ROCKER ARM 2.95 MM	4	20/06/2012			
	84010212A	ADJUSTER, OPENING ROCKER ARM 3.00 MM	4	20/06/2012			
	84010222A	ADJUSTER, OPENING ROCKER ARM 3.05 MM	4	20/06/2012			
	84010232A	ADJUSTER, OPENING ROCKER ARM 3.10 MM	4	20/06/2012			
	84010242A	ADJUSTER, OPENING ROCKER ARM 3.15 MM	4	20/06/2012			
	84010252A	ADJUSTER, OPENING ROCKER ARM 3.20 MM	4	20/06/2012			
	84010262A	ADJUSTER, OPENING ROCKER ARM 3.25 MM	4	20/06/2012			
	84010272A	ADJUSTER, OPENING ROCKER ARM 3.30 MM	4	20/06/2012			
	84010282A	ADJUSTER, OPENING ROCKER ARM 3.35 MM	4	20/06/2012			
	84010292A	ADJUSTER, OPENING ROCKER ARM 3.40 MM	4	20/06/2012			
	84010302A	ADJUSTER, OPENING ROCKER ARM 3.45 MM	4	20/06/2012			
	84010312A	ADJUSTER, OPENING ROCKER ARM 1.80 MM	4	20/06/2012			
	84010322A	ADJUSTER, OPENING ROCKER ARM 1.85 MM	4	20/06/2012			
	84010332A	ADJUSTER, OPENING ROCKER ARM 1.90 MM	4	20/06/2012			
	84010342A	ADJUSTER, OPENING ROCKER ARM 1.95 MM	4	20/06/2012			
	84010722A	ADJUSTER, OPENING ROCKER ARM 3.60 MM	4	20/06/2012			



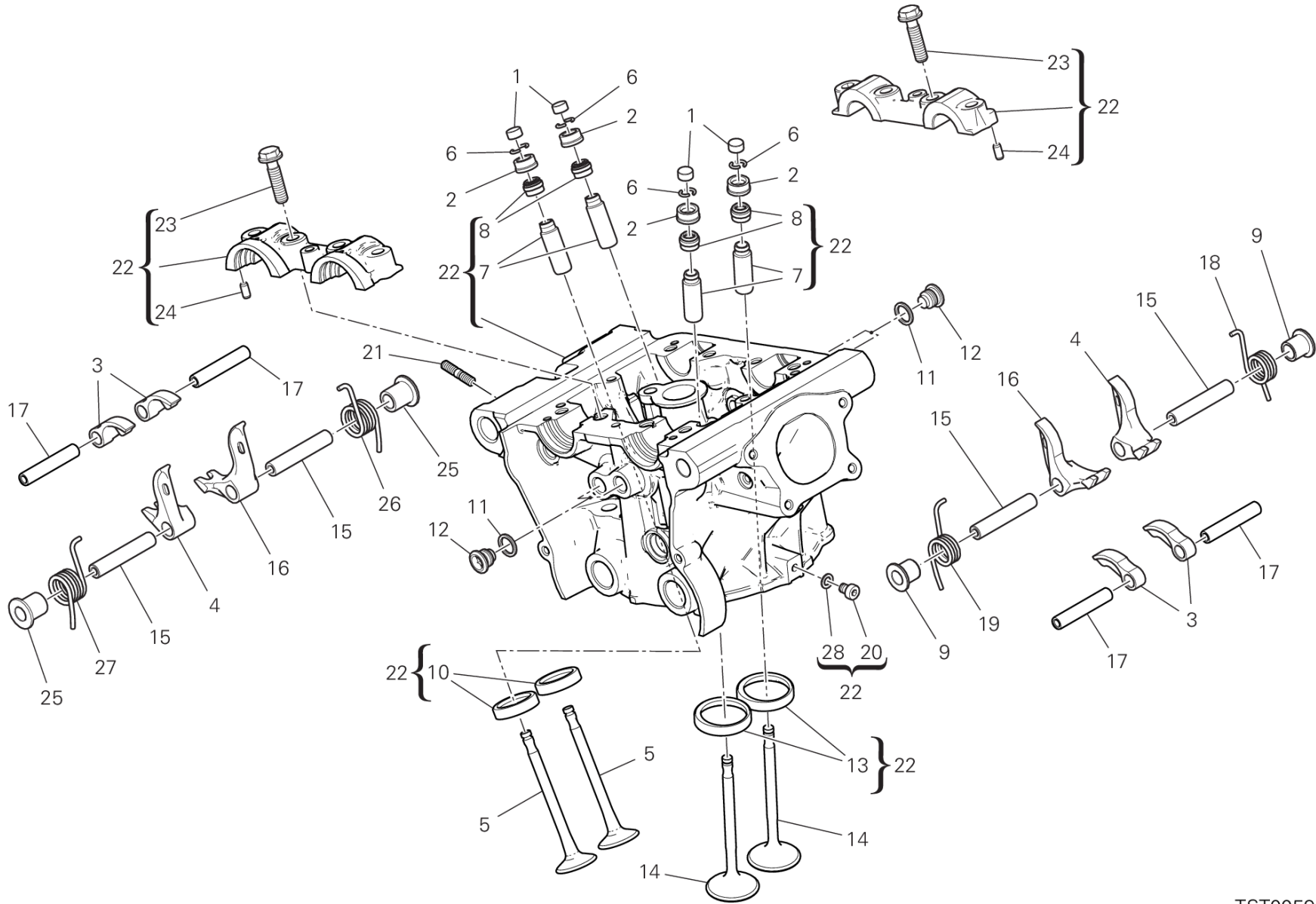
TST00594

DRAWING 014 - VERTICAL HEAD [MOD:SS 939]

GROUP ENGINE



POS.	CODE	DESCRIPTION	QTY	START DATE	END DATE	VALIDITY	NOTES
	84010732A	ADJUSTER, OPENING ROCKER ARM 3.80 MM	4	20/06/2012			
	84011082A	ADJUSTER, OPENING ROCKER ARM 3.50 MM	4	20/06/2012			
	84011092A	ADJUSTER, OPENING ROCKER ARM 3.55 MM	4	20/06/2012			
	84011102A	ADJUSTER, OPENING ROCKER ARM 3.65 MM	4	20/06/2012			
	84011112A	ADJUSTER, OPENING ROCKER ARM 3.70 MM	4	20/06/2012			
	84011122A	ADJUSTER, OPENING ROCKER ARM 3.75 MM	4	20/06/2012			
	84011132A	ADJUSTER, OPENING ROCKER ARM 3.85 MM	4	20/06/2012			
	84011142A	ADJUSTER, OPENING ROCKER ARM 3.9 MM	4	20/06/2012			
2	84010412B	ADJUSTER, CLOSING ROCKER ARM 2.20 MM	4	24/12/2009			
	84010422B	ADJUSTER, CLOSING ROCKER ARM 2.25 MM	4	24/12/2009			
	84010432B	ADJUSTER, CLOSING ROCKER ARM 2.30 MM	4	24/12/2009			
	84010442B	ADJUSTER, CLOSING ROCKER ARM 2.35 MM	4	24/12/2009			
	84010452B	ADJUSTER, CLOSING ROCKER ARM 2.40 MM	4	24/12/2009			
	84010462B	ADJUSTER, CLOSING ROCKER ARM 2.45 MM	4	24/12/2009			
	84010472B	ADJUSTER, CLOSING ROCKER ARM 2.50 MM	4	24/12/2009			
	84010482B	ADJUSTER, CLOSING ROCKER ARM 2.55 MM	4	24/12/2009			
	84010492B	ADJUSTER, CLOSING ROCKER ARM 2.60 MM	4	24/12/2009			
	84010502B	ADJUSTER, CLOSING ROCKER ARM 2.65 MM	4	24/12/2009			
	84010512B	ADJUSTER, CLOSING ROCKER ARM 2.70 MM	4	24/12/2009			
	84010522B	ADJUSTER, CLOSING ROCKER ARM 2.75 MM	4	24/12/2009			
	84010532B	ADJUSTER, CLOSING ROCKER ARM 2.80 MM	4	24/12/2009			
	84010542B	ADJUSTER, CLOSING ROCKER ARM 2.85 MM	4	24/12/2009			
	84010552B	ADJUSTER, CLOSING ROCKER ARM 2.90 MM	4	24/12/2009			
	84010562B	ADJUSTER, CLOSING ROCKER ARM 2.95 MM	4	24/12/2009			
	84010572B	ADJUSTER, CLOSING ROCKER ARM 3.00 MM	4	24/12/2009			
	84010582B	ADJUSTER, CLOSING ROCKER ARM 3.05 MM	4	24/12/2009			
	84010592B	ADJUSTER, CLOSING ROCKER ARM 3.10 MM	4	24/12/2009			
	84010602B	ADJUSTER, CLOSING ROCKER ARM 3.15 MM	4	24/12/2009			
	84010612B	ADJUSTER, CLOSING ROCKER ARM 3.20 MM	4	24/12/2009			
	84010622B	ADJUSTER, CLOSING ROCKER ARM 3.25 MM	4	24/12/2009			
	84010632B	ADJUSTER, CLOSING ROCKER ARM 3.30 MM	4	24/12/2009			
	84010642B	ADJUSTER, CLOSING ROCKER ARM 3.35 MM	4	24/12/2009			
	84010652B	ADJUSTER, CLOSING ROCKER ARM 3.40 MM	4	24/12/2009			
	84010662B	ADJUSTER, CLOSING ROCKER ARM 3.45 MM	4	24/12/2009			
	84010672B	ADJUSTER, CLOSING ROCKER ARM 3.50 MM	4	24/12/2009			



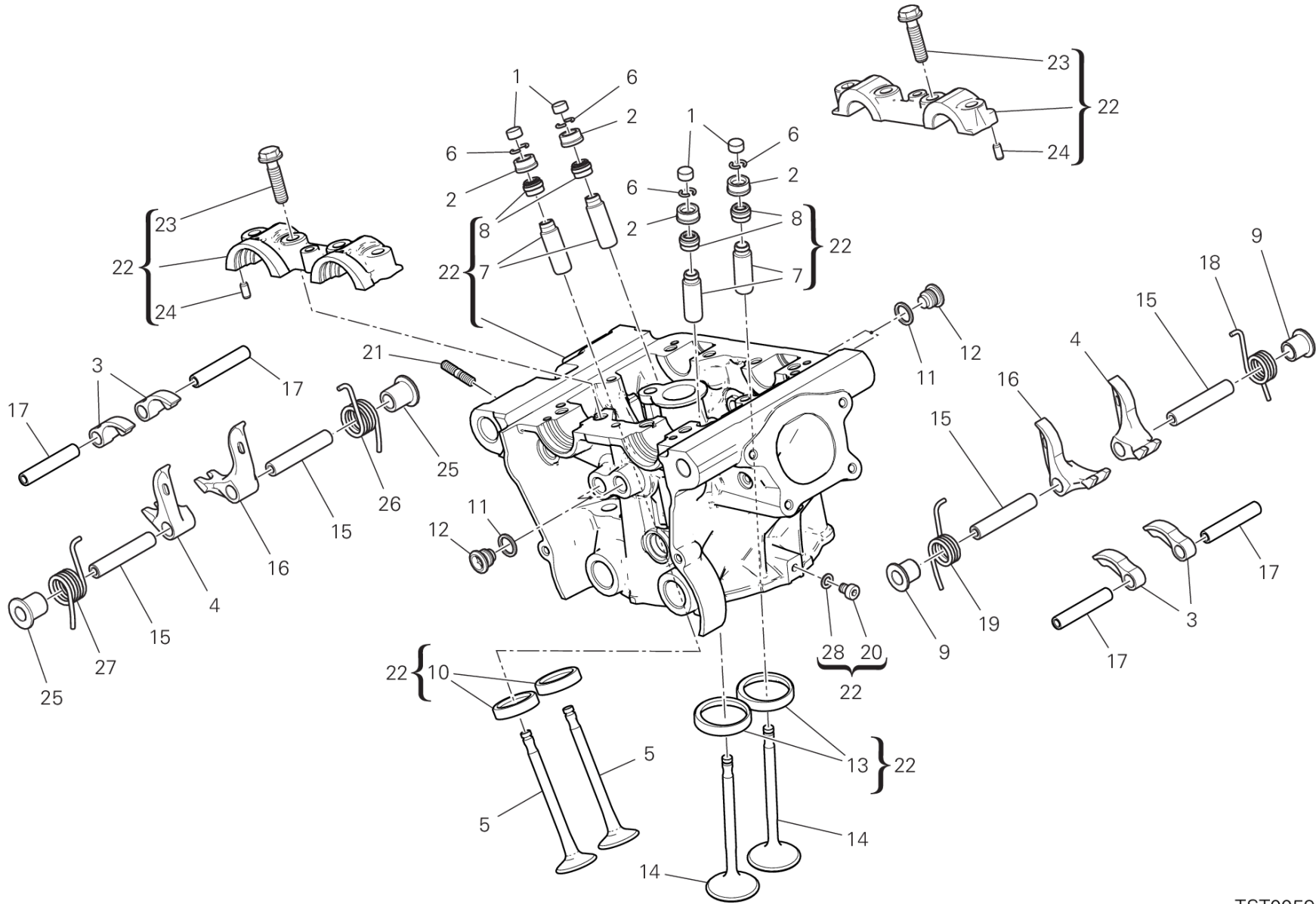
TST00594

DRAWING 014 - VERTICAL HEAD [MOD:SS 939]

GROUP ENGINE



POS.	CODE	DESCRIPTION	QTY	START DATE	END DATE	VALIDITY	NOTES
	84010682B	ADJUSTER, CLOSING ROCKER ARM 3.55 MM	4	24/12/2009			
	84010692B	ADJUSTER, CLOSING ROCKER ARM 3.60 MM	4	24/12/2009			
	84010702B	ADJUSTER, CLOSING ROCKER ARM 3.65 MM	4	24/12/2009			
	84010712B	ADJUSTER, CLOSING ROCKER ARM 3.70 MM	4	24/12/2009			
	84010722B	ADJUSTER, CLOSING ROCKER ARM 3.75 MM	4	24/12/2009			
	84010732B	ADJUSTER, CLOSING ROCKER ARM 3.80 MM	4	24/12/2009			
	84010742B	ADJUSTER, CLOSING ROCKER ARM 3.85 MM	4	24/12/2009			
	84010752B	ADJUSTER, CLOSING ROCKER ARM 3.90 MM	4	24/12/2009			
	84010762B	ADJUSTER, CLOSING ROCKER ARM 3.95 MM	4	24/12/2009			
	84010772B	ADJUSTER, CLOSING ROCKER ARM 4.00 MM	4	24/12/2009			
	84010782B	ADJUSTER, CLOSING ROCKER ARM 4.05 MM	4	24/12/2009			
	84010792B	ADJUSTER, CLOSING ROCKER ARM 4.10 MM	4	24/12/2009			
	84010802B	ADJUSTER, CLOSING ROCKER ARM 4.15 MM	4	24/12/2009			
	84010812B	ADJUSTER, CLOSING ROCKER ARM 4.20 MM	4	24/12/2009			
	84010822B	ADJUSTER, CLOSING ROCKER ARM 4.25 MM	4	24/12/2009			
	84010832B	ADJUSTER, CLOSING ROCKER ARM 4.30 MM	4	24/12/2009			
	84010842B	ADJUSTER, CLOSING ROCKER ARM 4.35 MM	4	24/12/2009			
	84010852B	ADJUSTER, CLOSING ROCKER ARM 4.40 MM	4	24/12/2009			
	84010862B	ADJUSTER, CLOSING ROCKER ARM 4.45 MM	4	24/12/2009			
	84010872B	ADJUSTER, CLOSING ROCKER ARM 4.50 MM	4	24/12/2009			
3	20810321A	OPEN. ROCKER ARM	4	07/12/2012			
4	20910501A	CLOSING ROCKER ARM LEFT	2	07/12/2012			
5	21110991A	EXHAUST VALVE	2	13/10/2015			
6	66910011E	C RING	8	07/12/2012			
7	30310631BB	GUIDE, VALVE OVERSIZED 0.03 MM	4	21/03/2013			
	30310631BC	GUIDE, VALVE OVERSIZED 0.06 MM	4	25/03/2013			
	30310631BD	GUIDE, VALVE OVERSIZED 0.09 MM	4	21/03/2013			
8	76440572A	SEAL VALVE STEM	4	06/03/2015			
9	71312921A	SPACER	2	07/12/2012			
10	30411011AB	SEAT, EXHAUST VALVE +0.03 MM	2	02/11/2015			
	30411011AC	SEAT, EXHAUST VALVE +0.06 MM	2	02/11/2015			
11	85250261B	GASKET, ALUMINIUM 12X16X1.5	8	07/12/2012			
12	78010511E	PLUG	8	07/12/2012			
13	30411001AB	SEAT, INLET VALVE +0.03 MM	2	02/11/2015			
	30411001AC	SEAT, INLET VALVE +0.06 MM	2	02/11/2015			



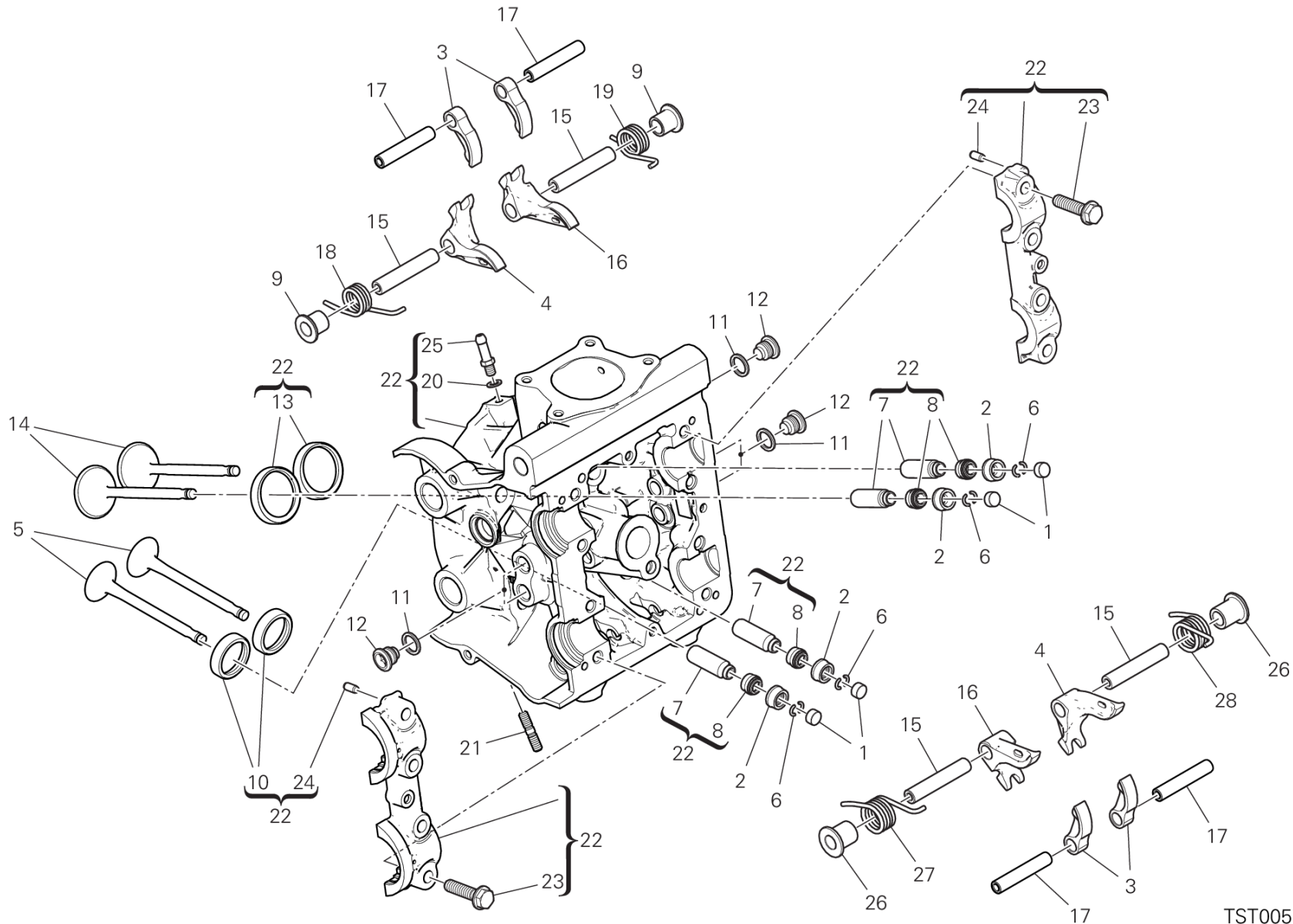
TST00594

DRAWING 014 - VERTICAL HEAD [MOD:SS 939]

GROUP ENGINE



POS.	CODE	DESCRIPTION	QTY	START DATE	END DATE	VALIDITY	NOTES
14	21010991A	INTAKE VALVE	2	13/10/2015			
15	82112951A	CLOSE ROCKER ARM AXLE	4	12/03/2015			
16	20910491A	CLOSING ROCKER ARM RIGHT	2	07/12/2012			
17	82112941A	SHAFT, OPENING ROCKER	4	06/03/2015			
18	79914851A	VALVE RETURN SPRING LH.	1	07/12/2012			
19	79914861A	VALVE RETURN SPRING RH.	1	07/12/2012			
20	77350618B	SCREW TCEIR M6X8	1	03/04/2012			
21	76640191A	STUD BOLT M6X16	3	13/12/2012			
22	30124151AC	COMPLETE VERTICAL HEAD	1	13/10/2015			
23	77914211A	SCREW TEF M8X32	8	03/04/2012			
24	86050061A	PIN M5X10	4	03/04/2012			
25	71312921B	SPACER	2	07/12/2012			
26	79915181B	LEFT VALVE RETURN SPRING	1	07/12/2012			
27	79915191B	RIGHT VALVE RETURN SPRING	1	07/12/2012			
28	85250231A	GASKET	1	03/04/2012			



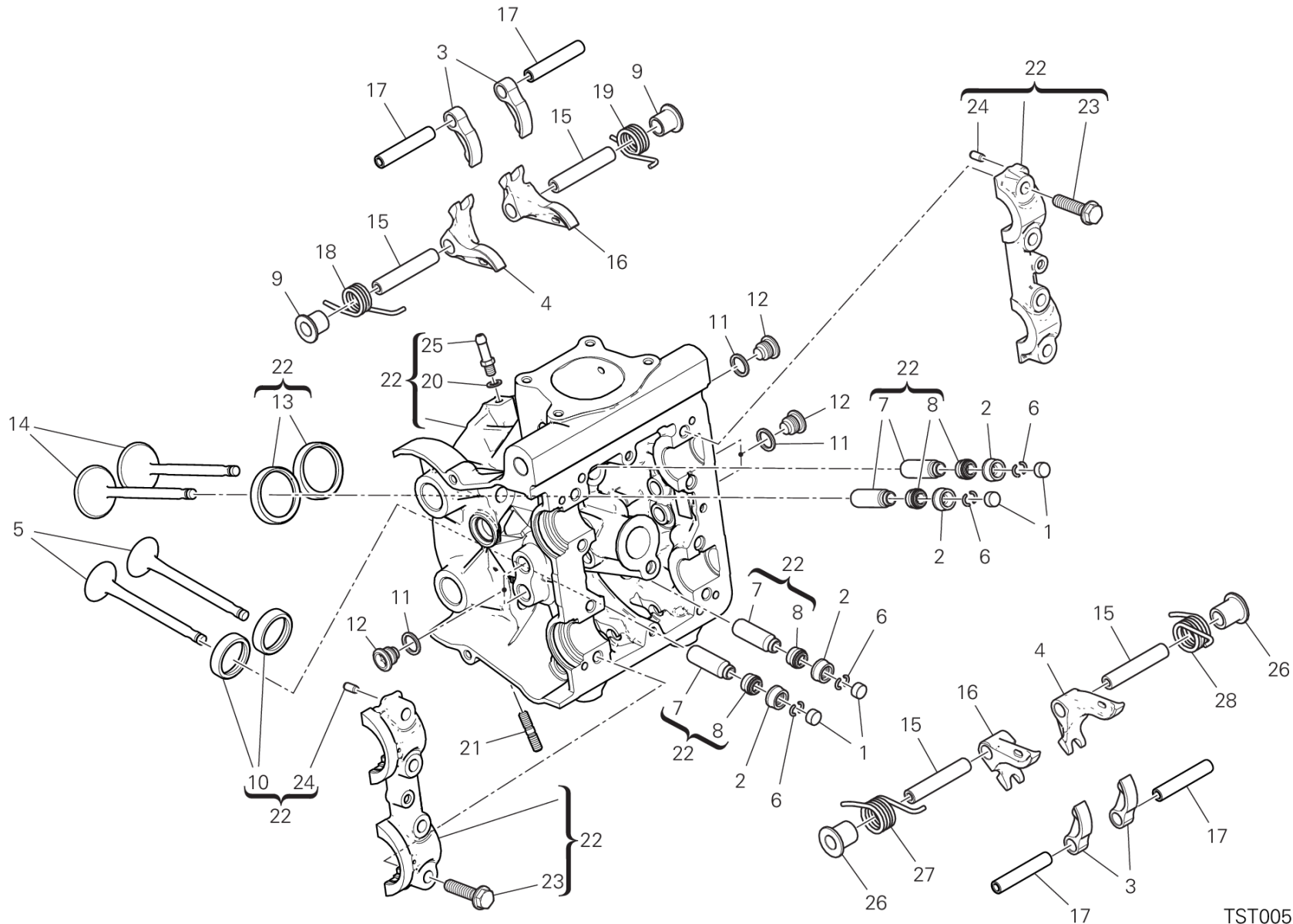
TST00595

DRAWING 015 - HORIZONTAL HEAD [MOD:SS 939]

GROUP ENGINE



POS.	CODE	DESCRIPTION	QTY	START DATE	END DATE	VALIDITY	NOTES
1	84010012A	ADJUSTER, OPENING ROCKER ARM 2.00 MM	4	20/06/2012			
	84010022A	ADJUSTER, OPENING ROCKER ARM 2.05 MM	4	20/06/2012			
	84010032A	ADJUSTER, OPENING ROCKER ARM 2.10 MM	4	20/06/2012			
	84010042A	ADJUSTER, OPENING ROCKER ARM 2.15 MM	4	20/06/2012			
	84010052A	ADJUSTER, OPENING ROCKER ARM 2.20 MM	4	20/06/2012			
	84010062A	ADJUSTER, OPENING ROCKER ARM 2.25 MM	4	20/06/2012			
	84010072A	ADJUSTER, OPENING ROCKER ARM 2.30 MM	4	20/06/2012			
	84010082A	ADJUSTER, OPENING ROCKER ARM 2.35 MM	4	20/06/2012			
	84010092A	ADJUSTER, OPENING ROCKER ARM 2.40 MM	4	20/06/2012			
	84010102A	ADJUSTER, OPENING ROCKER ARM 2.45 MM	4	20/06/2012			
	84010112A	ADJUSTER, OPENING ROCKER ARM 2.50 MM	4	20/06/2012			
	84010122A	ADJUSTER, OPENING ROCKER ARM 2.55 MM	4	20/06/2012			
	84010132A	ADJUSTER, OPENING ROCKER ARM 2.60 MM	4	20/06/2012			
	84010142A	ADJUSTER, OPENING ROCKER ARM 2.65 MM	4	20/06/2012			
	84010152A	ADJUSTER, OPENING ROCKER ARM 2.70 MM	4	20/06/2012			
	84010162A	ADJUSTER, OPENING ROCKER ARM 2.75 MM	4	20/06/2012			
	84010172A	ADJUSTER, OPENING ROCKER ARM 2.80 MM	4	20/06/2012			
	84010182A	ADJUSTER, OPENING ROCKER ARM 2.85 MM	4	20/06/2012			
	84010192A	ADJUSTER, OPENING ROCKER ARM 2.90 MM	4	20/06/2012			
	84010202A	ADJUSTER, OPENING ROCKER ARM 2.95 MM	4	20/06/2012			
	84010212A	ADJUSTER, OPENING ROCKER ARM 3.00 MM	4	20/06/2012			
	84010222A	ADJUSTER, OPENING ROCKER ARM 3.05 MM	4	20/06/2012			
	84010232A	ADJUSTER, OPENING ROCKER ARM 3.10 MM	4	20/06/2012			
	84010242A	ADJUSTER, OPENING ROCKER ARM 3.15 MM	4	20/06/2012			
	84010252A	ADJUSTER, OPENING ROCKER ARM 3.20 MM	4	20/06/2012			
	84010262A	ADJUSTER, OPENING ROCKER ARM 3.25 MM	4	20/06/2012			
	84010272A	ADJUSTER, OPENING ROCKER ARM 3.30 MM	4	20/06/2012			
	84010282A	ADJUSTER, OPENING ROCKER ARM 3.35 MM	4	20/06/2012			
	84010292A	ADJUSTER, OPENING ROCKER ARM 3.40 MM	4	20/06/2012			
	84010302A	ADJUSTER, OPENING ROCKER ARM 3.45 MM	4	20/06/2012			
	84010312A	ADJUSTER, OPENING ROCKER ARM 1.80 MM	4	20/06/2012			
	84010322A	ADJUSTER, OPENING ROCKER ARM 1.85 MM	4	20/06/2012			
	84010332A	ADJUSTER, OPENING ROCKER ARM 1.90 MM	4	20/06/2012			
	84010342A	ADJUSTER, OPENING ROCKER ARM 1.95 MM	4	20/06/2012			
	84010722A	ADJUSTER, OPENING ROCKER ARM 3.60 MM	4	20/06/2012			



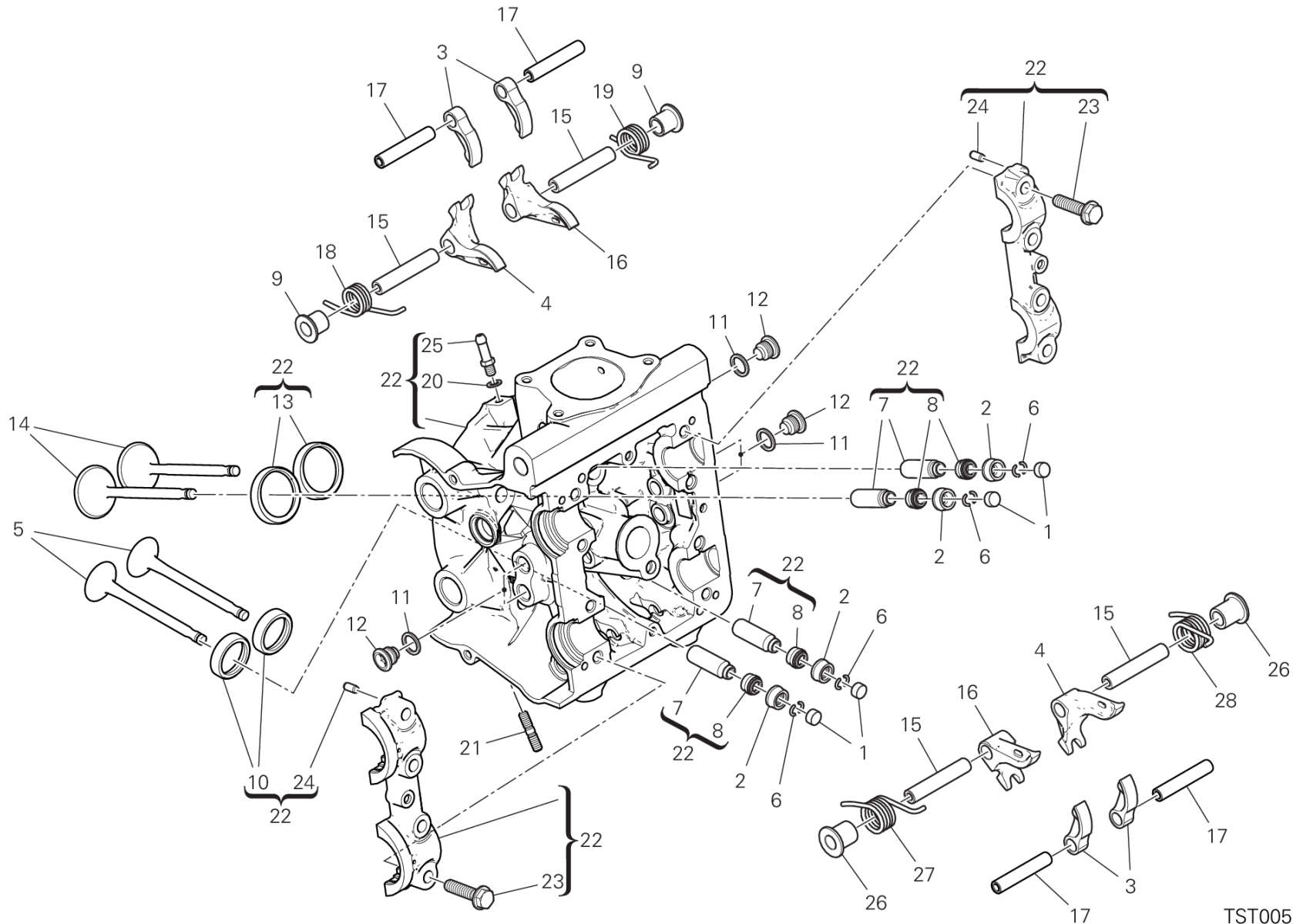
TST00595

DRAWING 015 - HORIZONTAL HEAD [MOD:SS 939]

GROUP ENGINE



POS.	CODE	DESCRIPTION	QTY	START DATE	END DATE	VALIDITY	NOTES
	84010732A	ADJUSTER, OPENING ROCKER ARM 3.80 MM	4	20/06/2012			
	84011082A	ADJUSTER, OPENING ROCKER ARM 3.50 MM	4	20/06/2012			
	84011092A	ADJUSTER, OPENING ROCKER ARM 3.55 MM	4	20/06/2012			
	84011102A	ADJUSTER, OPENING ROCKER ARM 3.65 MM	4	20/06/2012			
	84011112A	ADJUSTER, OPENING ROCKER ARM 3.70 MM	4	20/06/2012			
	84011122A	ADJUSTER, OPENING ROCKER ARM 3.75 MM	4	20/06/2012			
	84011132A	ADJUSTER, OPENING ROCKER ARM 3.85 MM	4	20/06/2012			
	84011142A	ADJUSTER, OPENING ROCKER ARM 3.9 MM	4	20/06/2012			
2	84010412B	ADJUSTER, CLOSING ROCKER ARM 2.20 MM	4	24/12/2009			
	84010422B	ADJUSTER, CLOSING ROCKER ARM 2.25 MM	4	24/12/2009			
	84010432B	ADJUSTER, CLOSING ROCKER ARM 2.30 MM	4	24/12/2009			
	84010442B	ADJUSTER, CLOSING ROCKER ARM 2.35 MM	4	24/12/2009			
	84010452B	ADJUSTER, CLOSING ROCKER ARM 2.40 MM	4	24/12/2009			
	84010462B	ADJUSTER, CLOSING ROCKER ARM 2.45 MM	4	24/12/2009			
	84010472B	ADJUSTER, CLOSING ROCKER ARM 2.50 MM	4	24/12/2009			
	84010482B	ADJUSTER, CLOSING ROCKER ARM 2.55 MM	4	24/12/2009			
	84010492B	ADJUSTER, CLOSING ROCKER ARM 2.60 MM	4	24/12/2009			
	84010502B	ADJUSTER, CLOSING ROCKER ARM 2.65 MM	4	24/12/2009			
	84010512B	ADJUSTER, CLOSING ROCKER ARM 2.70 MM	4	24/12/2009			
	84010522B	ADJUSTER, CLOSING ROCKER ARM 2.75 MM	4	24/12/2009			
	84010532B	ADJUSTER, CLOSING ROCKER ARM 2.80 MM	4	24/12/2009			
	84010542B	ADJUSTER, CLOSING ROCKER ARM 2.85 MM	4	24/12/2009			
	84010552B	ADJUSTER, CLOSING ROCKER ARM 2.90 MM	4	24/12/2009			
	84010562B	ADJUSTER, CLOSING ROCKER ARM 2.95 MM	4	24/12/2009			
	84010572B	ADJUSTER, CLOSING ROCKER ARM 3.00 MM	4	24/12/2009			
	84010582B	ADJUSTER, CLOSING ROCKER ARM 3.05 MM	4	24/12/2009			
	84010592B	ADJUSTER, CLOSING ROCKER ARM 3.10 MM	4	24/12/2009			
	84010602B	ADJUSTER, CLOSING ROCKER ARM 3.15 MM	4	24/12/2009			
	84010612B	ADJUSTER, CLOSING ROCKER ARM 3.20 MM	4	24/12/2009			
	84010622B	ADJUSTER, CLOSING ROCKER ARM 3.25 MM	4	24/12/2009			
	84010632B	ADJUSTER, CLOSING ROCKER ARM 3.30 MM	4	24/12/2009			
	84010642B	ADJUSTER, CLOSING ROCKER ARM 3.35 MM	4	24/12/2009			
	84010652B	ADJUSTER, CLOSING ROCKER ARM 3.40 MM	4	24/12/2009			
	84010662B	ADJUSTER, CLOSING ROCKER ARM 3.45 MM	4	24/12/2009			
	84010672B	ADJUSTER, CLOSING ROCKER ARM 3.50 MM	4	24/12/2009			



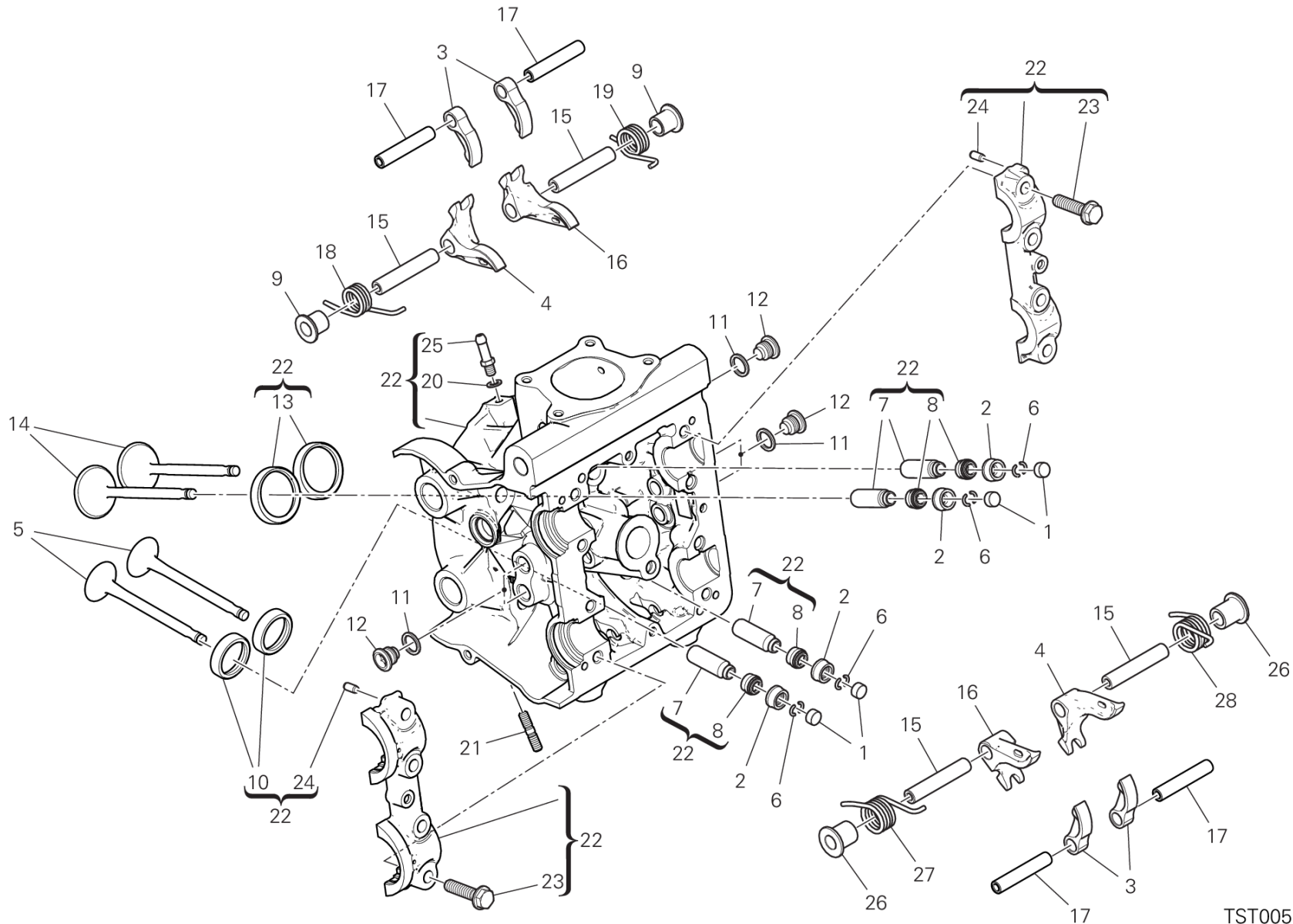
TST00595

DRAWING 015 - HORIZONTAL HEAD [MOD:SS 939]

GROUP ENGINE



POS.	CODE	DESCRIPTION	QTY	START DATE	END DATE	VALIDITY	NOTES
	84010682B	ADJUSTER, CLOSING ROCKER ARM 3.55 MM	4	24/12/2009			
	84010692B	ADJUSTER, CLOSING ROCKER ARM 3.60 MM	4	24/12/2009			
	84010702B	ADJUSTER, CLOSING ROCKER ARM 3.65 MM	4	24/12/2009			
	84010712B	ADJUSTER, CLOSING ROCKER ARM 3.70 MM	4	24/12/2009			
	84010722B	ADJUSTER, CLOSING ROCKER ARM 3.75 MM	4	24/12/2009			
	84010732B	ADJUSTER, CLOSING ROCKER ARM 3.80 MM	4	24/12/2009			
	84010742B	ADJUSTER, CLOSING ROCKER ARM 3.85 MM	4	24/12/2009			
	84010752B	ADJUSTER, CLOSING ROCKER ARM 3.90 MM	4	24/12/2009			
	84010762B	ADJUSTER, CLOSING ROCKER ARM 3.95 MM	4	24/12/2009			
	84010772B	ADJUSTER, CLOSING ROCKER ARM 4.00 MM	4	24/12/2009			
	84010782B	ADJUSTER, CLOSING ROCKER ARM 4.05 MM	4	24/12/2009			
	84010792B	ADJUSTER, CLOSING ROCKER ARM 4.10 MM	4	24/12/2009			
	84010802B	ADJUSTER, CLOSING ROCKER ARM 4.15 MM	4	24/12/2009			
	84010812B	ADJUSTER, CLOSING ROCKER ARM 4.20 MM	4	24/12/2009			
	84010822B	ADJUSTER, CLOSING ROCKER ARM 4.25 MM	4	24/12/2009			
	84010832B	ADJUSTER, CLOSING ROCKER ARM 4.30 MM	4	24/12/2009			
	84010842B	ADJUSTER, CLOSING ROCKER ARM 4.35 MM	4	24/12/2009			
	84010852B	ADJUSTER, CLOSING ROCKER ARM 4.40 MM	4	24/12/2009			
	84010862B	ADJUSTER, CLOSING ROCKER ARM 4.45 MM	4	24/12/2009			
	84010872B	ADJUSTER, CLOSING ROCKER ARM 4.50 MM	4	24/12/2009			
3	20810321A	OPEN. ROCKER ARM	4	07/12/2012			
4	20910501A	CLOSING ROCKER ARM LEFT	2	07/12/2012			
5	21110991A	EXHAUST VALVE	2	13/10/2015			
6	66910011E	C RING	8	07/12/2012			
7	30310631BB	GUIDE, VALVE OVERSIZED 0.03 MM	4	25/03/2013			
	30310631BC	GUIDE, VALVE OVERSIZED 0.06 MM	4	25/03/2013			
	30310631BD	GUIDE, VALVE OVERSIZED 0.09 MM	4	25/03/2013			
8	76440572A	SEAL VALVE STEM	4	06/03/2015			
9	71312921A	SPACER	2	07/12/2012			
10	30411011AB	SEAT, EXHAUST VALVE +0.03 MM	4	02/11/2015			
	30411011AC	SEAT, EXHAUST VALVE +0.06 MM	4	02/11/2015			
11	85250261B	GASKET, ALUMINIUM 12X16X1.5	8	07/12/2012			
12	78010511E	PLUG	8	07/12/2012			
13	30411001AB	SEAT, INLET VALVE +0.03 MM	4	02/11/2015			
	30411001AC	SEAT, INLET VALVE +0.06 MM	4	02/11/2015			



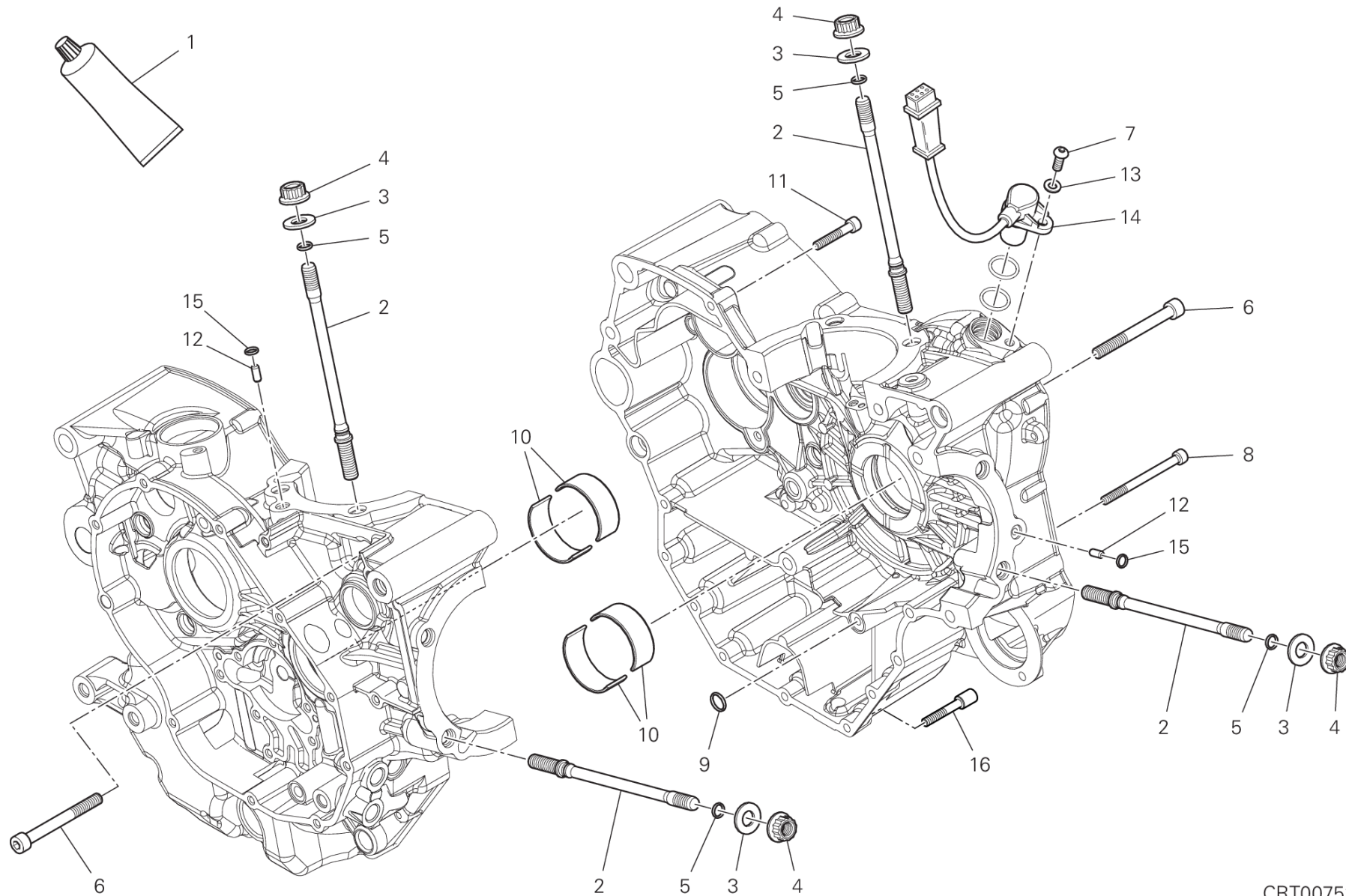
TST00595

DRAWING 015 - HORIZONTAL HEAD [MOD:SS 939]

GROUP ENGINE



POS.	CODE	DESCRIPTION	QTY	START DATE	END DATE	VALIDITY	NOTES
14	21010991A	INTAKE VALVE	2	13/10/2015			
15	82112951A	CLOSE ROCKER ARM AXLE	4	12/03/2015			
16	20910491A	CLOSING ROCKER ARM RIGHT	2	07/12/2012			
17	82112941A	SHAFT, OPENING ROCKER	4	06/03/2015			
18	79914851A	VALVE RETURN SPRING LH.	1	07/12/2012			
19	79914861A	VALVE RETURN SPRING RH.	1	07/12/2012			
20	85250231A	GASKET	1	03/04/2012			
21	76640191A	STUD BOLT M6X16	3	13/12/2012			
22	30124141AC	COMPLETE HORIZONTAL HEAD	1	13/10/2015			
23	77914211A	SCREW TEF M8X32	8	03/04/2012			
24	86050061A	PIN M5X10	4	03/04/2012			
25	81411881A	NIPPLE, HOSE	1	03/04/2012			
26	71312921B	SPACER	2	07/12/2012			
27	79915181B	LEFT VALVE RETURN SPRING	1	07/12/2012			
28	79915191B	RIGHT VALVE RETURN SPRING	1	07/12/2012			



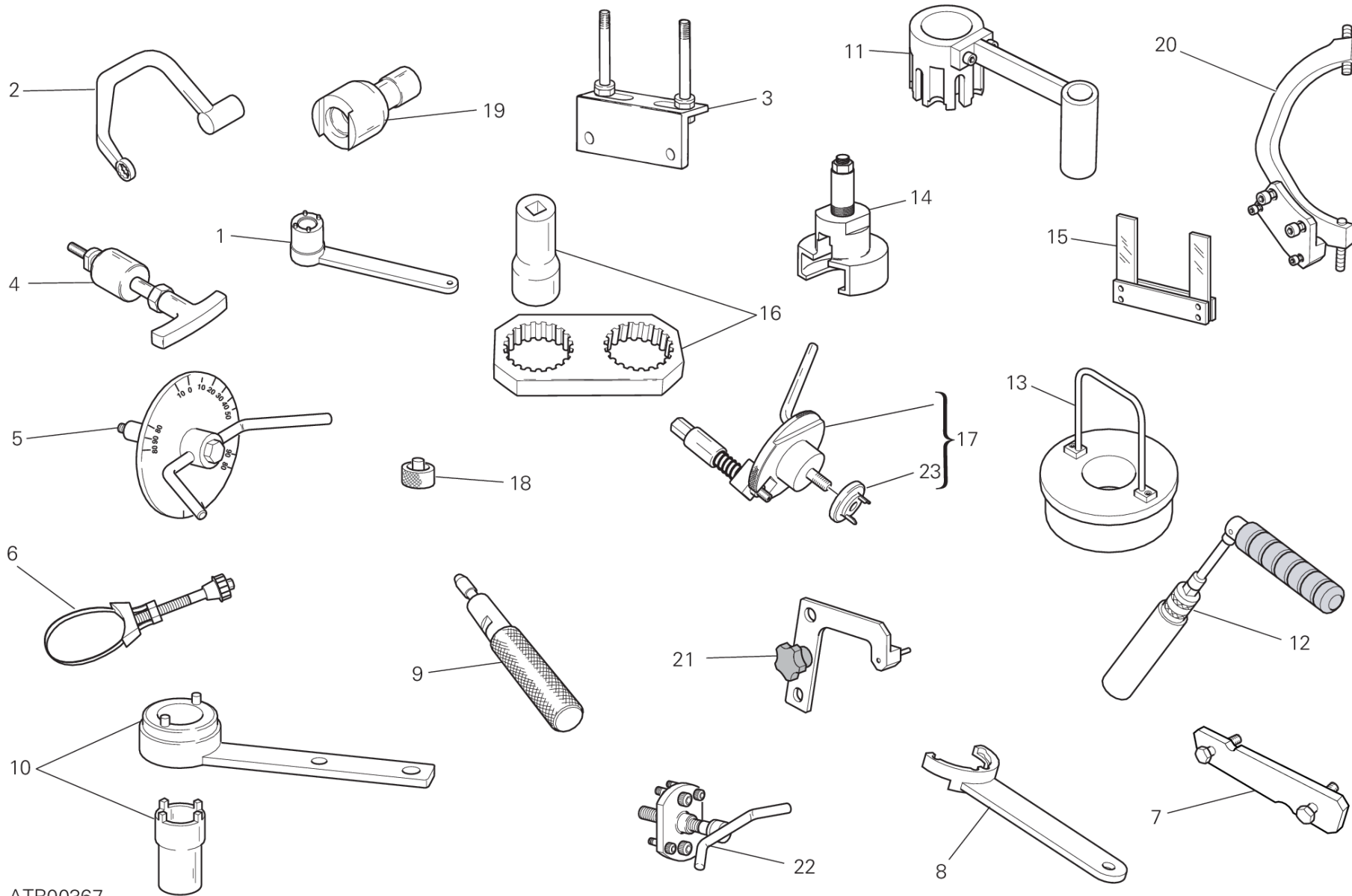
CRT00752

DRAWING 10A - HALF-CRANKCASES PAIR [MOD:SS 939]

GROUP ENGINE



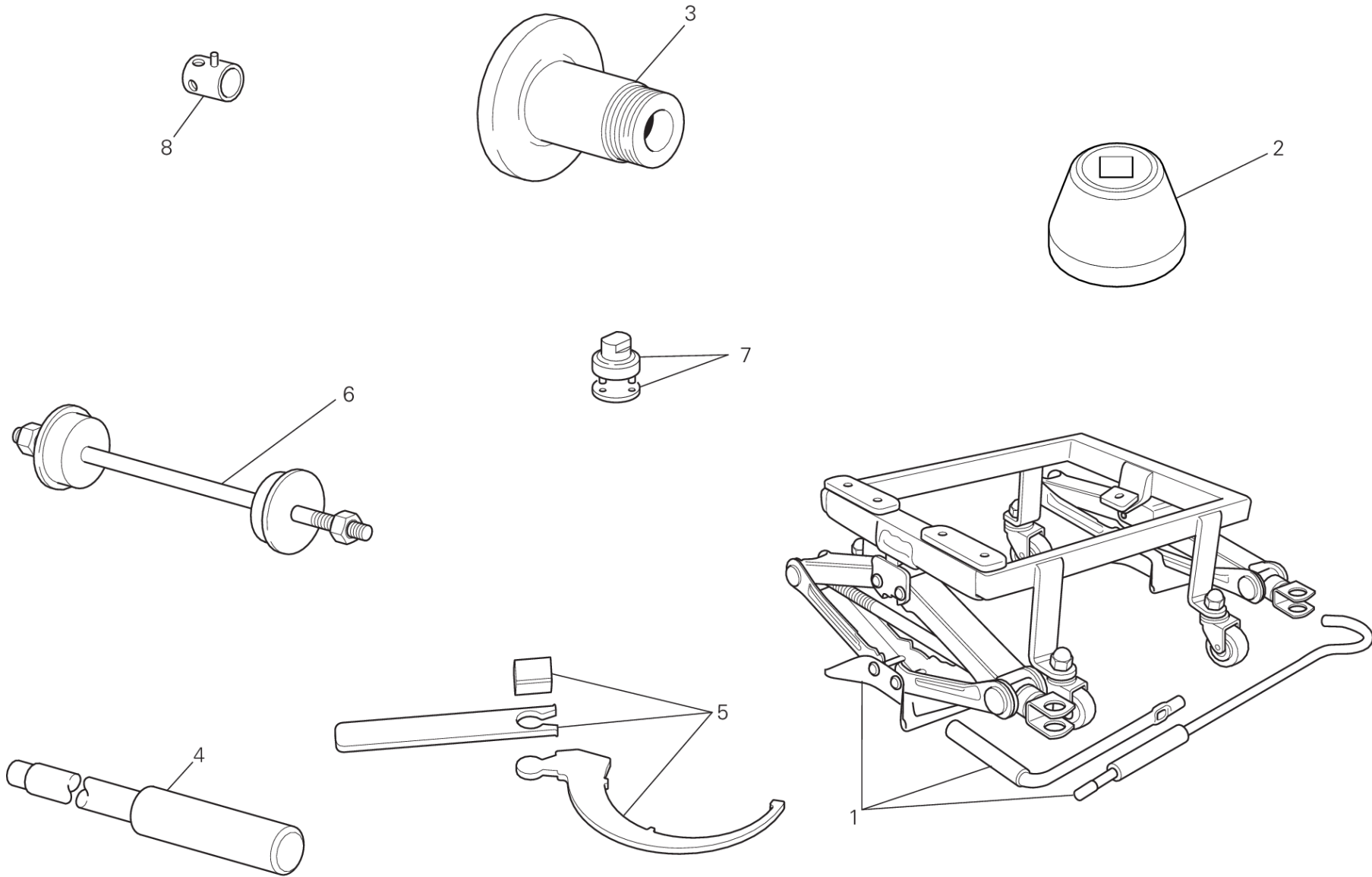
POS.	CODE	DESCRIPTION	QTY	START DATE	END DATE	VALIDITY	NOTES
1	942470014	LIQUID GASKET	1	16/04/2013			
2	76610553B	STUD BOLT FASTENING HEAD CYLINDER	8	16/04/2013			
3	85610642A	WASHER, SPECIAL 10.5X21X2	8	16/04/2013			
4	74810501A	NUT M10X1.5	8	16/04/2013			
5	88641181A	O-RING	8	16/04/2013			
6	77151363B	SCREW TCEI M8X75 UNI 5931	7	16/04/2013			
7	77550211B	SCREW TBEI M6X16 ISO7380 10.9	1	23/09/2011			
8	77150808B	SCREW TCEI M6X75	2	16/04/2013			
9	88641321A	O-RING 11.11X1.78	1	16/04/2013			
10	11210791AA	HALF-BEARING RED	4	05/07/2013			
	11210791AB	HALF-BEARING BLUE	4	05/07/2013			
	11210791AC	HALF-BEARING YELLOW	4	05/07/2013			
	11210791AD	HALF-BEARING BLACK	4	05/07/2013			
	11210791AE	HALF-BEARING GREEN	4	05/07/2013			
11	77150723B	SCREW TCEI M6X35 UNI 5931	7	16/04/2013			
12	86010051B	DOWEL	2	16/04/2013			
13	85310031A	SPRING WASHER 6 MM	1	16/04/2013			
14	55241321C	SENSOR, TIMING & RPM	1	16/04/2013			
15	88610241A	O-RING 5.23X2.62	2	16/04/2013			
16	77916041C	SCREW, SPECIAL	1	08/06/2016			



ATR00367



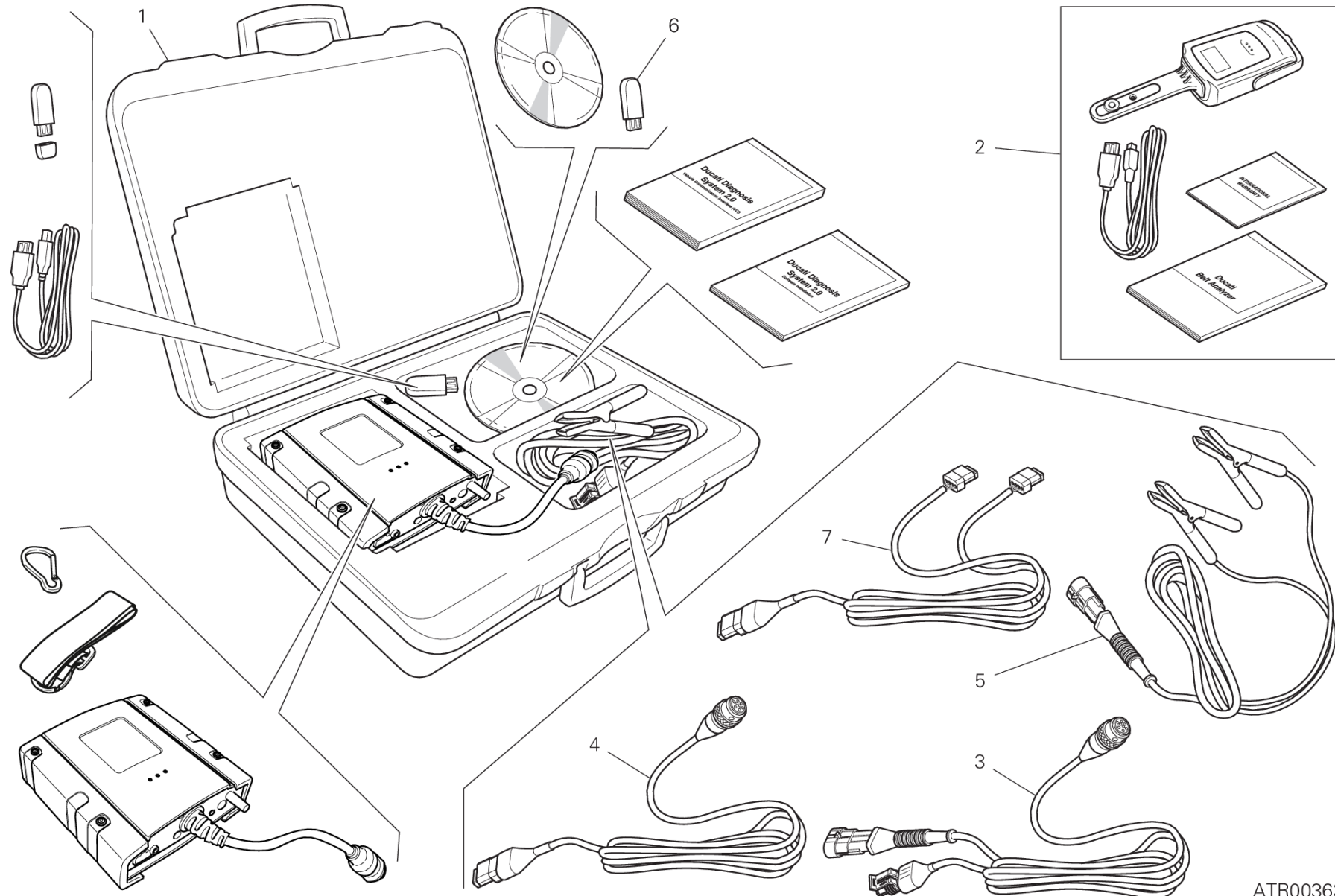
POS.	CODE	DESCRIPTION	QTY	START DATE	END DATE	VALIDITY	NOTES
1	887130137	CRANKSHAFT GEAR RETAINING WRENCH	1				
2	887132676	HEAD NUTS HOLDER WRENCH (M10)	1				
3	887132103	HEAD MOUNTING BASE	1				
4	887131994	ROCKER PIN EXTRACTOR	1				
5	887651523	DEGREE WHEEL HOLDER TOOL FOR IGNITION ADVANCE CHECK	1				
6	887132906	WRENCH, OIL FILTER CARTRIDGE	1				
7	887651623	BELT ROLLER TIMING TOOL	1				
8	887133219	TIMING BELT ROLLER REACTION TOOL	1				
9	887132442	TOOL, OIL SEAL MOUNTING (Ø7)	1				
10	887005644	TIMING PULLEY RETAINING WRENCH	1				
11	887132651	REACTION TOOL FOR WET CLUTCH	1				
12	887132877	SPARK PLUG WRENCH	1				
13	887132870	TOOL, CON-ROD GUIDING	1				
14	887130031	EXTRACTOR FOR PRIMARY DRIVE GEAR	1				
15	887131309	FORK FEELER GAUGE2,35 MM	1				
16	887131806	REACTION TOOL BELT ROLLER TIGHTENING	1				
17	887132011	CRANKSHAFT RESET TOOL	1				
18	887651298	SPACER FOR CHECKING LOWER VALVE SHIM	1				
19	887131821	WRENCH TO TIGHTEN TENSIONING BOLTS	1				
20	887133367	FLYWHEEL WRENCH	1				
21	887133334	PLATE POSITIONING GEAR ENGAGEMENT FORK	1				
22	887131749	DRIVE ROLLER PULLER	1				
23	887134411	INSERT	1				



ATR00368



POS.	CODE	DESCRIPTION	QTY	START DATE	END DATE	VALIDITY	NOTES
1	887133220	BENCH FOR ENGINE REPAIR	1				
2	887130026	BUSH FOR INSTALLING/REMOVING THE FORK PLUG	1				
3	887132951	TOOL BALANCING REAR WHEEL	1				
4	887131074	TOOL DISASSEMBLING SWINGARM PIVOT	1				
5	887133211	SPANNER FOR ADJUSTING THE ECCENTRIC HUB	1				
6	887131062	TOOL ASSEMBLING STEERING TUBE BEARING	1				
7	887131058	SPANNER TO ASSEMBLE THE STEERING SLEEVE	1				
8	800070139	WRENCH FOR FRONT WHEEL SPINDLE	1				



ATR00363



POS.	CODE	DESCRIPTION	QTY	START DATE	END DATE	VALIDITY	NOTES
1	979000252	DDS 2 (Ducati Diagnosis System 2.0)	1				
2	979000253	BELT TENSIONING KIT	1				
3	979000254	MAIN CABLE	1				
4	979000255	MAIN CABLE (CAN)	1				
5	979000256	MAIN CABLE DDS	1				
6	28620441A	CHIAVE "PC HASP DDS2.0"	1				
7	979000259	WIRING MAP-KEY	1				



DRAWING A - TYRES [MOD:SS 939]

GROUP TYRES



POS.	CODE	DESCRIPTION	QTY	START DATE	END DATE	VALIDITY	NOTES
1	490P0272A	FRONT TYRE DIABLO™ ROSSO III (120-70 ZR17)	1	19/01/2017			(*)=Pneumatico di primo equipaggiamento
2	491P0070A	REAR TYRE DIABLO™ ROSSO III (180-55 ZR17)	1	19/12/2016			(*)=Pneumatico di primo equipaggiamento
3	49040711A	FRONT TYRE DIABLO™ SUPERCORSA SP (120-70 ZR17)	1				
4	49140951A	REAR TYRE DIABLO™ SUPERCORSA SP (180-55 ZR17)	1				
5	49040901A	FRONT TYRE ANGEL™ GT (120-70 ZR17)	1				
6	49141271A	REAR TYRE ANGEL™ GT (180-55 ZR17)	1				
7	49040692A	FRONT TYRE DIABLO™ ROSSO CORSA (120-70 ZR17)	1				
8	49141291A	REAR TYRE DIABLO™ ROSSO CORSA (180-55 ZR17)	1				



DRAWING B - (*) PIRELLI DIABLO™ ROSSO III [MOD:SS 939]

GROUP TYRES



POS.	CODE	DESCRIPTION	QTY	START DATE	END DATE	VALIDITY	NOTES
1	490P0272A	FRONT TYRE DIABLO™ ROSSO III (120-70 ZR17)	1	19/01/2017			(*)=Pneumatico di primo equipaggiamento
2	491P0070A	REAR TYRE DIABLO™ ROSSO III (180-55 ZR17)	1	19/12/2016			(*)=Pneumatico di primo equipaggiamento



DRAWING C - PIRELLI DIABLO™ SUPERCORSA SP [MOD:SS 939]

GROUP TYRES



POS.	CODE	DESCRIPTION	QTY	START DATE	END DATE	VALIDITY	NOTES
1	49040711A	FRONT TYRE DIABLO™ SUPERCORSA SP (120-70 ZR17)	1	12/01/2015			
2	49140951A	REAR TYRE DIABLO™ SUPERCORSA SP (180-55 ZR17)	1	24/09/2012			



DRAWING D - PIRELLI ANGEL™ GT [MOD:SS 939]

GROUP TYRES



POS.	CODE	DESCRIPTION	QTY	START DATE	END DATE	VALIDITY	NOTES
1	49040901A	FRONT TYRE ANGEL™ GT (120-70 ZR17)	1	18/06/2014			
2	49141271A	REAR TYRE ANGEL™ GT (180-55 ZR17)	1	08/03/2013			



DRAWING E - PIRELLI DIABLO™ ROSSO CORSA [MOD:SS 939]

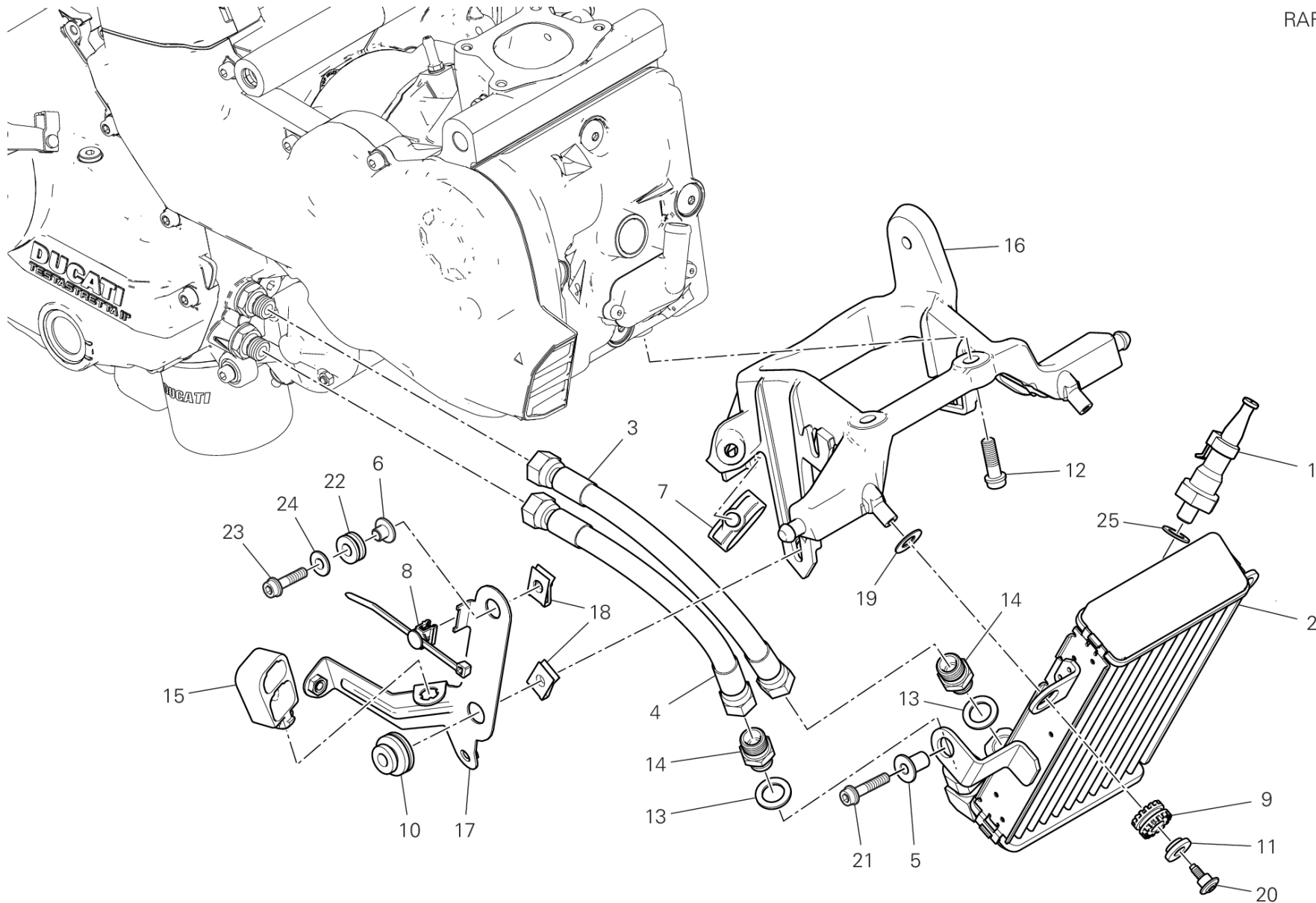
GROUP TYRES



POS.	CODE	DESCRIPTION	QTY	START DATE	END DATE	VALIDITY	NOTES
1	49040692A	FRONT TYRE DIABLO™ ROSSO CORSA (120-70 ZR17)	1	25/10/2013			
2	49141291A	REAR TYRE DIABLO™ ROSSO CORSA (180-55 ZR17)	1	28/05/2015			



RAF00603

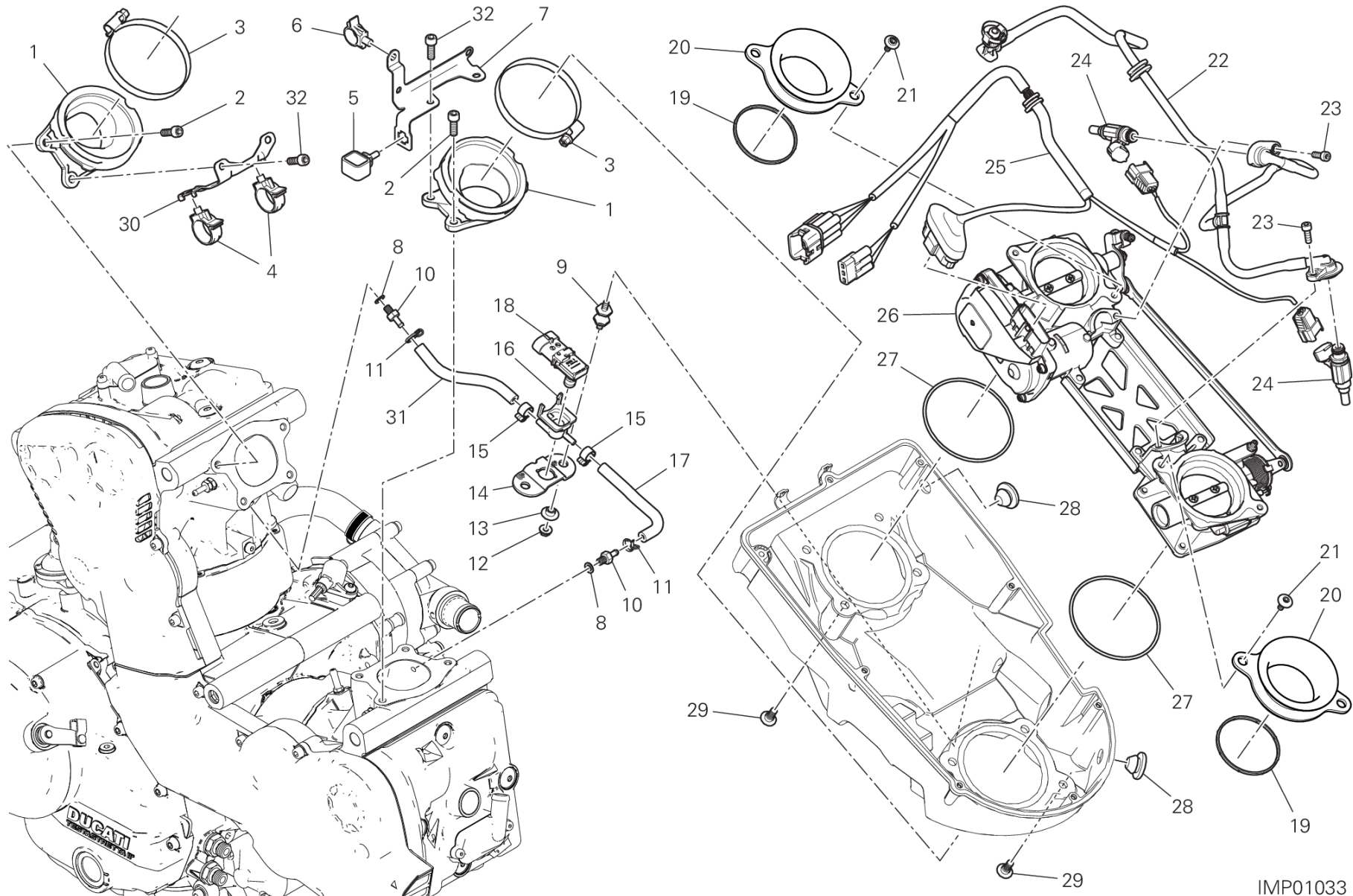


DRAWING 016 - OIL COOLER [MOD:SS 939]

GROUP FRAME



POS.	CODE	DESCRIPTION	QTY	START DATE	END DATE	VALIDITY	NOTES
1	53940302A	SWITCH ASSY, OIL PRESSURE	1	23/05/2016			
2	54841101B	OIL COOLER	1	23/05/2016			
3	54911311B	OIL DELIVERY PIPE	1	25/01/2017			
4	54911321B	PIPE	1	25/01/2017			
5	71615521AA	SPACER	1	25/01/2017			
6	71614111A	SPACER	1	23/05/2016			
7	75840201A	CLAMP, WIRE	1	23/05/2016			
8	75840771A	FAIRLEAD	1	23/05/2016			
9	76410241A	VIBRATION DAMPER PAD	2	23/05/2016			
10	76410481A	VIBRATION DAMPER	1	23/05/2016			
11	76411511A	RUBBER PAD	2	23/05/2016			
12	72050533CF	SCREW	2	06/02/2017			
13	78710111A	GASKET, ALUMINIUM 14X22X2	2	23/05/2016			
14	81510221A	NIPPLE, HOSEM14X1.5	2	23/05/2016			
15	8291D921A	BRACKET, CONNECTOR	1	23/05/2016			
16	8301F081BA	STAY, OIL COOLER	1	23/05/2016			
17	8301F141BA	BRACKET, MOTOR EXHAUST VALVE	1	23/05/2016			
18	85040631A	QUICK FASTENING	3	10/04/2017			
19	85210541B	WASHER 10.2X20X1	2	23/05/2016			
20	77210841C	SCREW	1	23/05/2016			
21	77156718B	SCREW TCEIF M6X30	1	25/01/2017			
22	76410841B	RUBBER PAD	1				
23	77156698B	SCREW TCEIF M6X25	1	25/01/2017			
24	85211911A	WASHER 6.4X16X1.5	2	10/04/2017			
25	85211951A	GASKET 10.5X17X2	1	10/04/2017			



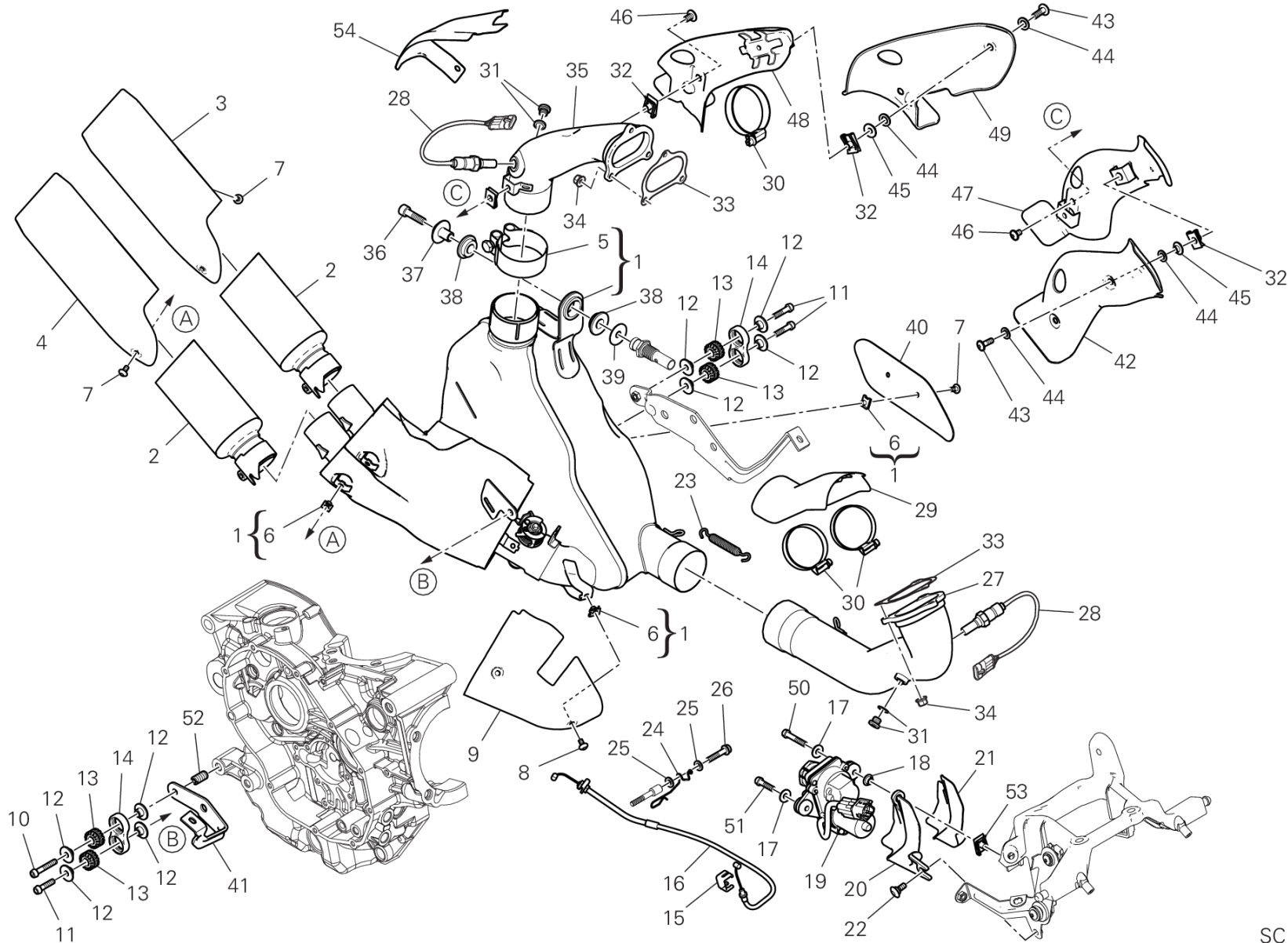
IMP01033

DRAWING 017 - THROTTLE BODY [MOD:SS 939]

GROUP FRAME



POS.	CODE	DESCRIPTION	QTY	START DATE	END DATE	VALIDITY	NOTES
1	14010761C	INTAKE MANIFOLD	2	27/02/2017			
2	77110391B	SCREW	4	31/05/2013			
3	74141871A	CLAMP 60-80 MM	2				
4	75840641A	HOSE GUIDE	2	22/10/2013			
5	82911901A	MOUNT RUBBER	1	01/08/2013			
6	75840771A	FAIRLEAD	1	01/08/2013			
7	83018421BA	BRACKET, WATER TANK	1	01/08/2013			
8	85250231A	GASKET	2	22/02/2013			
9	70010901A	VIBRATION DAMPER	2	08/09/2014			
10	81413341A	UNION	2	31/05/2013			
11	74140431A	CLAMP	2	12/03/2013			
12	74841091AA	NUT	2	08/09/2014			
13	71611071B	SPACER	2	08/09/2014			
14	86611991A	RUBBER PAD SENSOR, PRESSURE	1	08/09/2014			
15	74141711A	CLAMP 10-7 MM	2	12/03/2013			
16	81415251B	BRACKET SENSOR PRESSURE	1	08/09/2014			
17	59014111A	DEPRESSURE/PRESSURE LINE HORIZONTAL	1	01/11/2013			
18	55241441A	SENSOR, PRESSURE	1	12/03/2013			
19	78811301A	GASKET AIR FUNNEL	2	12/03/2013			
20	13510471A	AIR FUNNEL	2	20/04/2016			
21	77214411BA	SCREW, SPECIAL	4	20/04/2016			
22	59024071A	COMPLETE PIPE SET	1	20/04/2016			
23	77150408B	SCREW TCEI M5X14	2	12/03/2013			
24	28040411A	INJECTOR	2	09/12/2013			
25	5101C171A	INJECTION WIRING	1	20/04/2016		PLT:DB10	
26	28240932A	THROTTLE BODY	1	09/01/2014			
27	88642231A	O-RING	2	12/03/2013			
28	76411851A	BYPASS CAP	2	12/03/2013			
29	77912741A	SCREW TBEI M6X14	8	12/03/2013			
30	83018221A	HOLDER WIRING	1	22/10/2013			
31	59014101A	DEPRESSURE/PRESSURE LINE VERTICAL	1	01/11/2013			
32	77110401B	SCREW	4	23/05/2016			



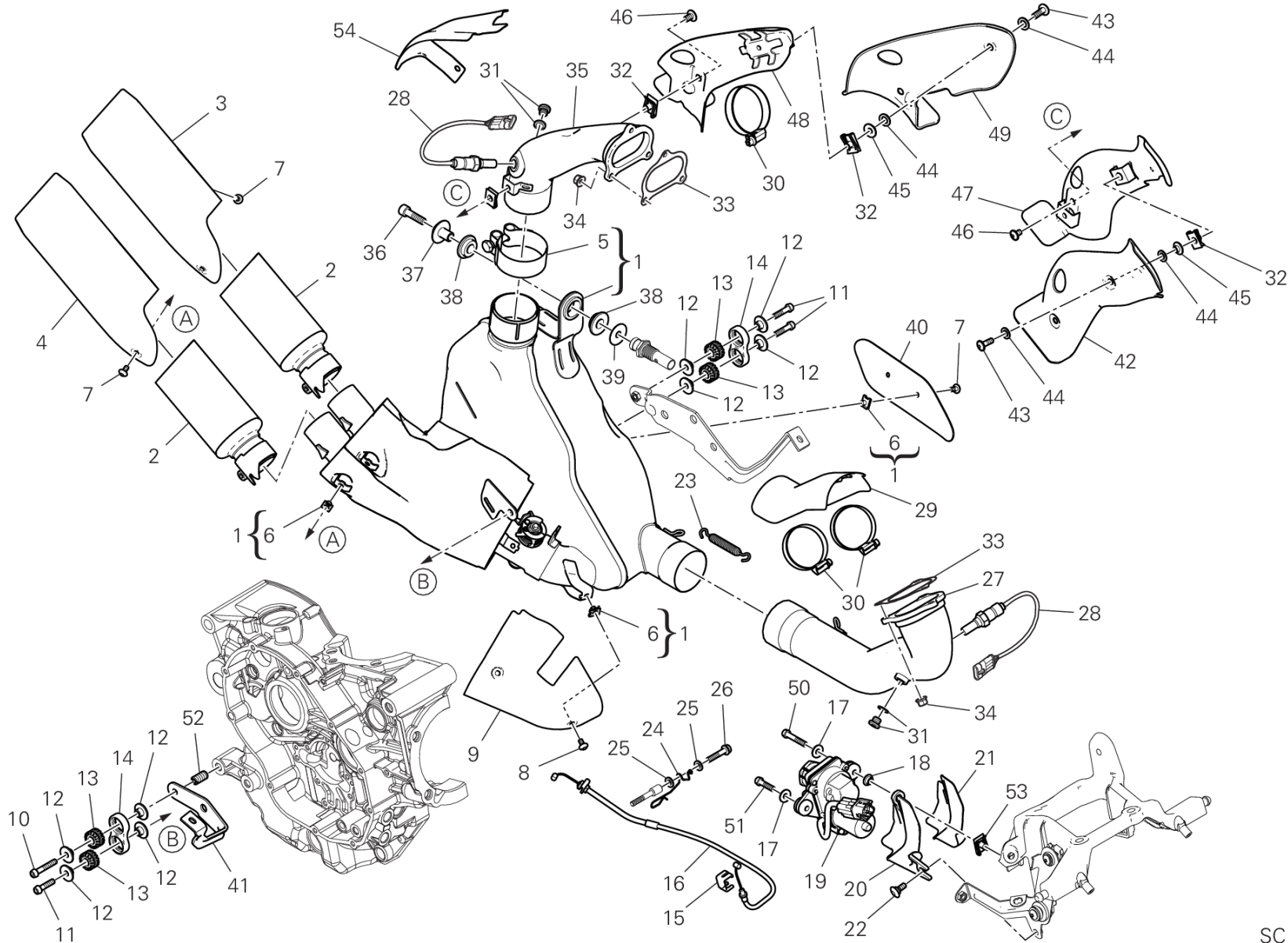
SCR00267

DRAWING 019 - EXHAUST SYSTEM [MOD:SS 939]

GROUP FRAME



POS.	CODE	DESCRIPTION	QTY	START DATE	END DATE	VALIDITY	NOTES
1	57314392A	PRESILENCER	1	06/09/2016		XST:AUS,EUR,JAP,TWN	
2	57314381A	SILENCER	2	06/09/2016			
3	4601E871A	COVER UPPER	1	06/09/2016			
4	4601E881A	COVER LOWER	1	06/09/2016			
5	74113381A	CONNECTOR COMP, EXHAUST PIPE	1	06/09/2016			
6	85040551A	QUICK FASTENING	3	25/01/2017			
7	77244168B	SCREW	8	01/06/2016			
8	77244163B	SCREW M5X10	3	01/06/2016			
9	4601E471A	COVER EXHAUST VALVE	1	01/06/2016			
10	77156728B	SCREW TCEIF M6X35	1	23/05/2016			
11	77156698B	SCREW TCEIF M6X25	3	23/05/2016			
12	71614141A	SPACER	8	23/05/2016			
13	76410241A	VIBRATION DAMPER PAD	4	23/05/2016			
14	57610671A	BRACKET, SILENCER	2	22/07/2016			
15	75910251A	SPRING	1	23/05/2016			
16	73210614A	CABLE, EXHAUST VALVE	1	25/01/2017			
17	85211671B	WASHER	2	23/05/2016			
18	71610213AA	SPACER	1	23/05/2016			
19	59340301A	ELECTRIC MOTOR, EXHAUST VALVE	1	25/01/2017			
20	4601F041A	HEAT GUARD ELECTRIC MOTOR, EXHAUST VALVE	1	23/05/2016			
21	4601F052A	THERMOREFLECTING PROTECTION	1	23/05/2016			
22	77914391C	SCREW	1	23/05/2016			
23	79925941A	COMPLETE SPRING	2	23/05/2016			
24	75811211B	FAIRLEAD	1	23/05/2016			
25	85211761A	WASHER 6.4X12.5X1.6	2	23/05/2016			
26	77150408B	SCREW TCEI M5X14	1	23/05/2016			
27	57014771A	HORIZONTAL EXHAUST PIPE	1	23/05/2016			
28	55214011A	SENSOR LAMBDA SOND	2	23/05/2016			
29	4601E302A	HEAT GUARD HORIZONTAL	1	23/05/2016			
30	74142381A	CLAMP 40/60 MM	3	23/05/2016			
31	78020011A	PLUG ASSY	2				
32	85040381A	QUICK FASTENING	6	23/05/2016			
33	79010211A	GASKET, EXHAUST PIPE	2	23/05/2016			
34	74810241A	NUT	6	23/05/2016			
35	57114801B	VERTICAL EXHAUST PIPE	1	25/01/2017			



SCR00267

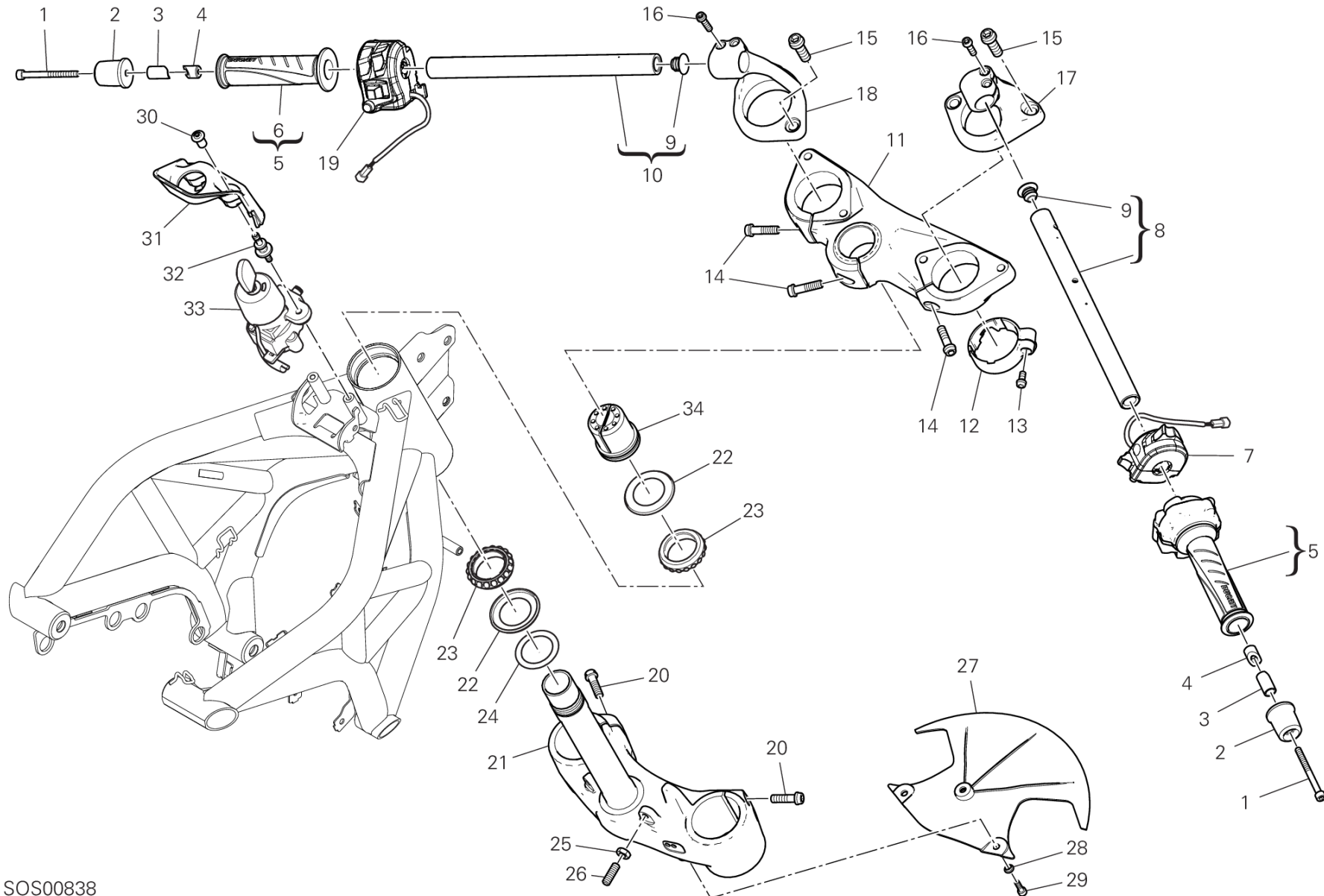


POS.	CODE	DESCRIPTION	QTY	START DATE	END DATE	VALIDITY	NOTES
36	77157278B	SCREW TCEIF M8X30	1	03/10/2016			
37	71615461AA	SPACER	1	03/10/2016			
38	76410011A	DAMPER	2	23/05/2016			
39	85212901A	WASHER	1	23/05/2016			
40	4601F081AA	CAP LH	1	01/06/2016			
41	8301F511AA	BRACKET	1	06/06/2016			
42	4601F321A	COVER HEAT GUARD R.H.	1	25/01/2017			
43	77240433C	SCREW	4	25/01/2017			
44	85212271A	WASHER	8	10/03/2017			
45	71611071A	SPACER	4	25/01/2017			
46	77240393C	SCREW TBEIF M6X10 10.9	2	25/01/2017			
47	4601F302B	HEAT GUARD R.H.	1	31/05/2017			
48	4601F312B	HEAT GUARD L.H.	1	31/05/2017			
49	4601F331A	COVER HEAT GUARD L.H.	1	25/01/2017			
50	77156723B	SCREW	1	10/04/2017			
51	77310021A	SCREW TCEIR M6X25	1	10/04/2017			
52	77913481C	THREADED DOWEL	1	10/04/2017			
53	85040631A	QUICK FASTENING	1	10/04/2017			
54	4601G411A	HEAT GUARD REAR	1	24/07/2017			



DRAWING 021 - HANDLEBAR AND CONTROLS [MOD:SS 939]

GROUP FRAME



SOS00838

DRAWING 021 - HANDLEBAR AND CONTROLS [MOD:SS 939]

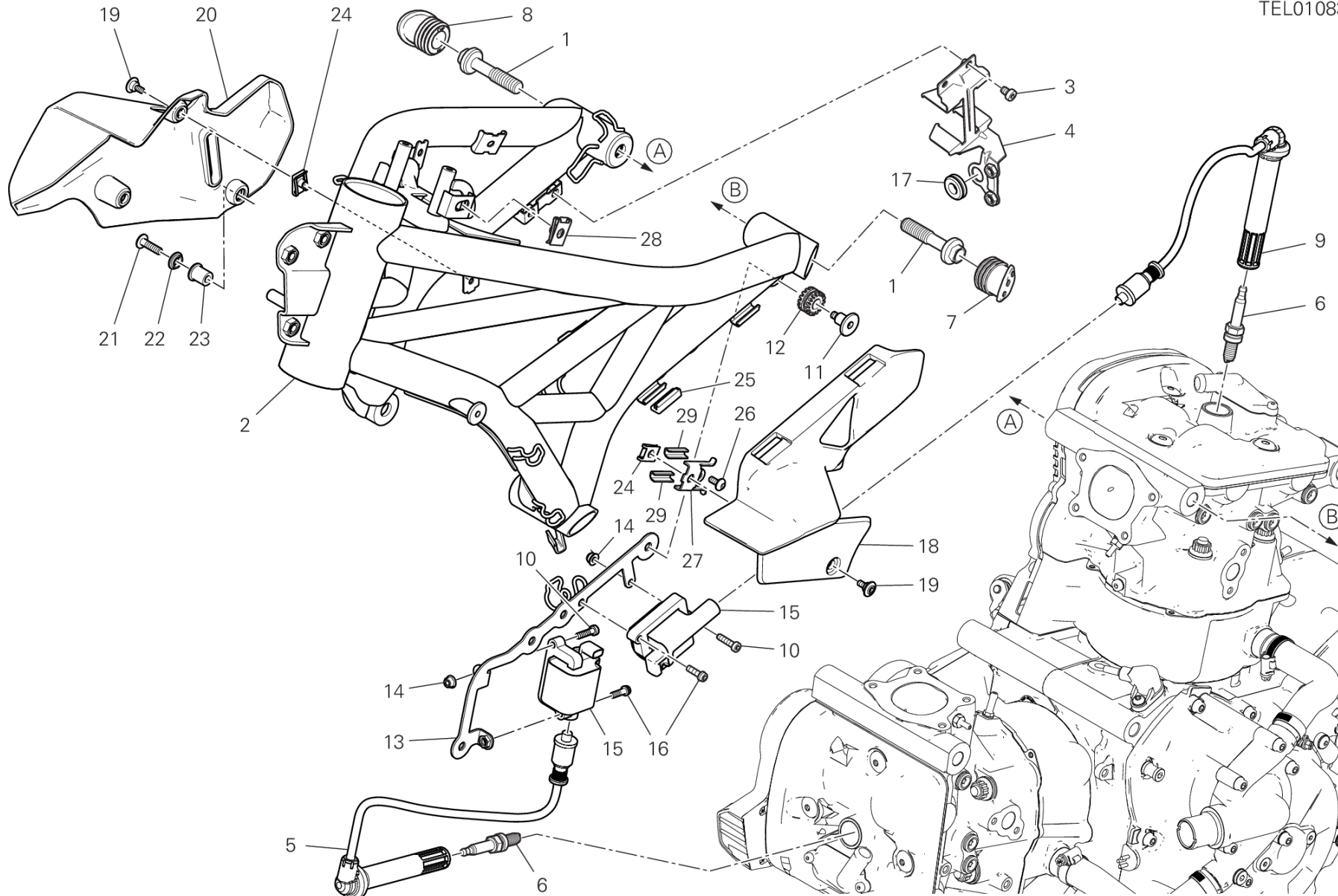
GROUP FRAME



POS.	CODE	DESCRIPTION	QTY	START DATE	END DATE	VALIDITY	NOTES
1	77150763B	SCREW TCEI M6X55 UNI5931 8.8	2	23/05/2016			
2	15310072B	BALANCER SET, HANDLE BAR	2	23/05/2016			
3	71011071A	BUSH	2	23/05/2016			
4	71111301A	SPINDLE, TAPER	2	23/05/2016			
5	66020093B	THROTTLE CONTROL (Unit)	1	28/11/2016			
6	36140161A	HAND GRIP LH	1	24/02/2016			
7	65010241C	RIGHT SWITCH	1	10/10/2016		XST:AUS,EUR,TWN	
	65010251C	RIGHT HANDLE SWITCH	1	07/02/2017		XST:JAP	JAP - CHN
8	875P2562BA	HANDLEBAR TUBE R.H.	1	01/02/2017			
9	87210481A	CAP	2	20/05/2016			
10	875P2552BA	HANDLEBAR TUBE L.H.	1	01/02/2017			
11	34111451AA	STEERING HEAD	1	01/05/2016		MOD:SS 939	
12	75811201A	CLAMP	1	23/05/2016			
13	77113691A	SCREW TCEIF M6X12	1	23/05/2016			
14	77157278B	SCREW TCEIF M8X30	3	23/05/2016			
15	77157568B	SCREW TCEIF M10X30	4	01/05/2016			
16	77156688B	SCREW TCEIF M6X22X18	4	01/05/2016			
17	36015512AA	RIGHT HALF-HANDLEBAR	1	01/05/2016		MOD:SS 939	
18	36015502AA	LEFT HALF-HANDLEBAR	1	01/05/2016		MOD:SS 939	
19	65110241C	LEFT SWITCH	1	10/10/2016			
20	77157268B	SCREW	4	07/01/2016			
21	34220951AB	STEERING HEAD BASE	1	01/06/2016		MOD:SS 939	
22	93010041B	SEAL RING	2	01/06/2016			
23	70241231A	BEARING, STEERING NTN SF07A17P	2	01/06/2016			
24	85211031AB	WASHER	1	01/06/2016			
25	74750071A	NUT	2	01/06/2016			
26	77850281A	THREADED DOWEL STEI M8X25	2	01/06/2016			
27	4601E461A	MUDGUARD, FRONT	1	23/05/2016			
28	71611521AB	SPACER	3	23/05/2016			
29	77150413B	SCREW	3	23/05/2016			
30	75011491AB	NUT, SPECIAL	2	23/05/2016			
31	4601E262A	COVER, IGNITION SWITCH	1	23/05/2016			
32	77110501A	SCREW, SPECIAL	2	23/05/2016			
33	65240231A	KEY-OPERATED SWITCH	1	04/04/2013			
34	70310871AA	THREAD, STEERING HEAD TOP	1	23/05/2016			

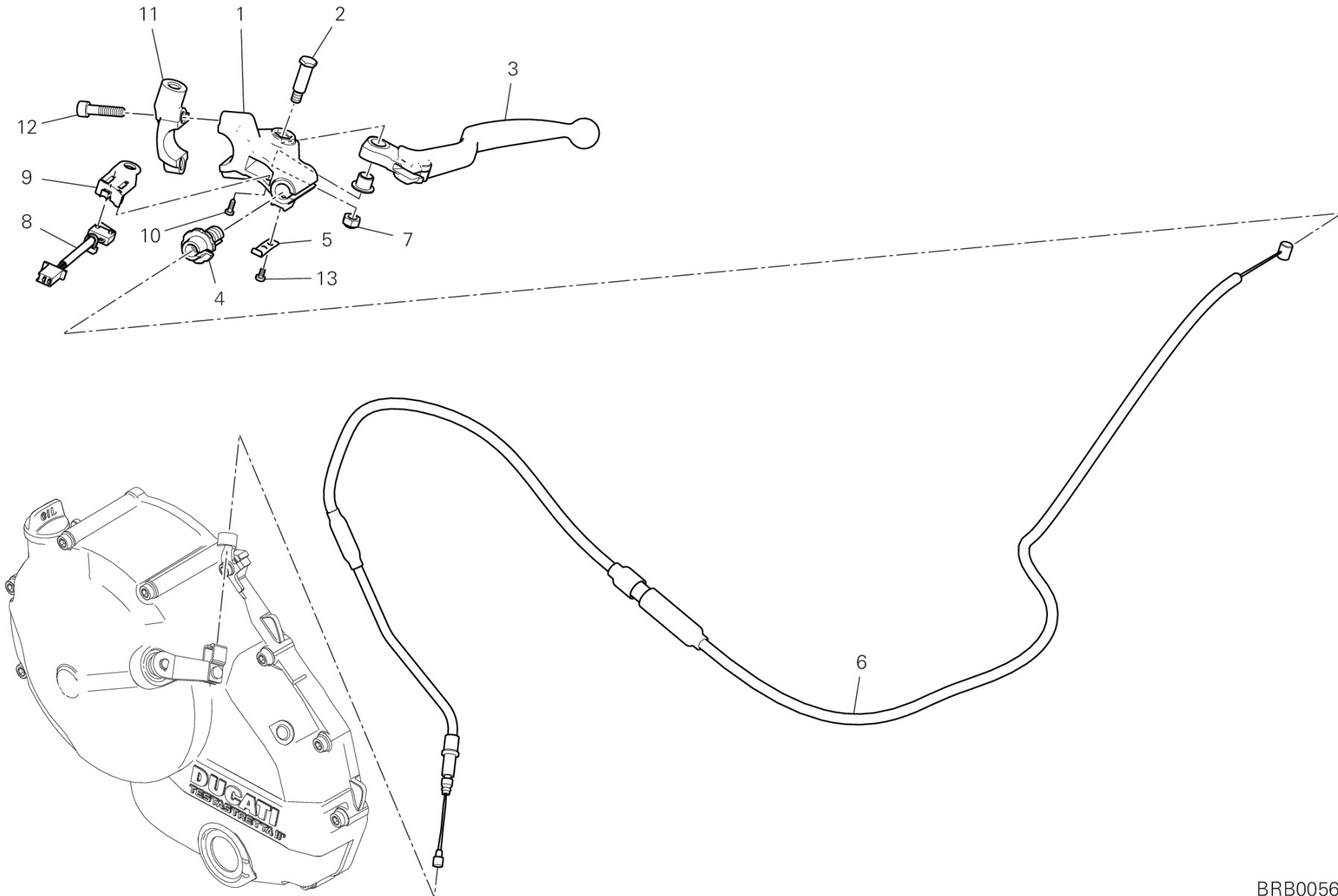


TEL01083





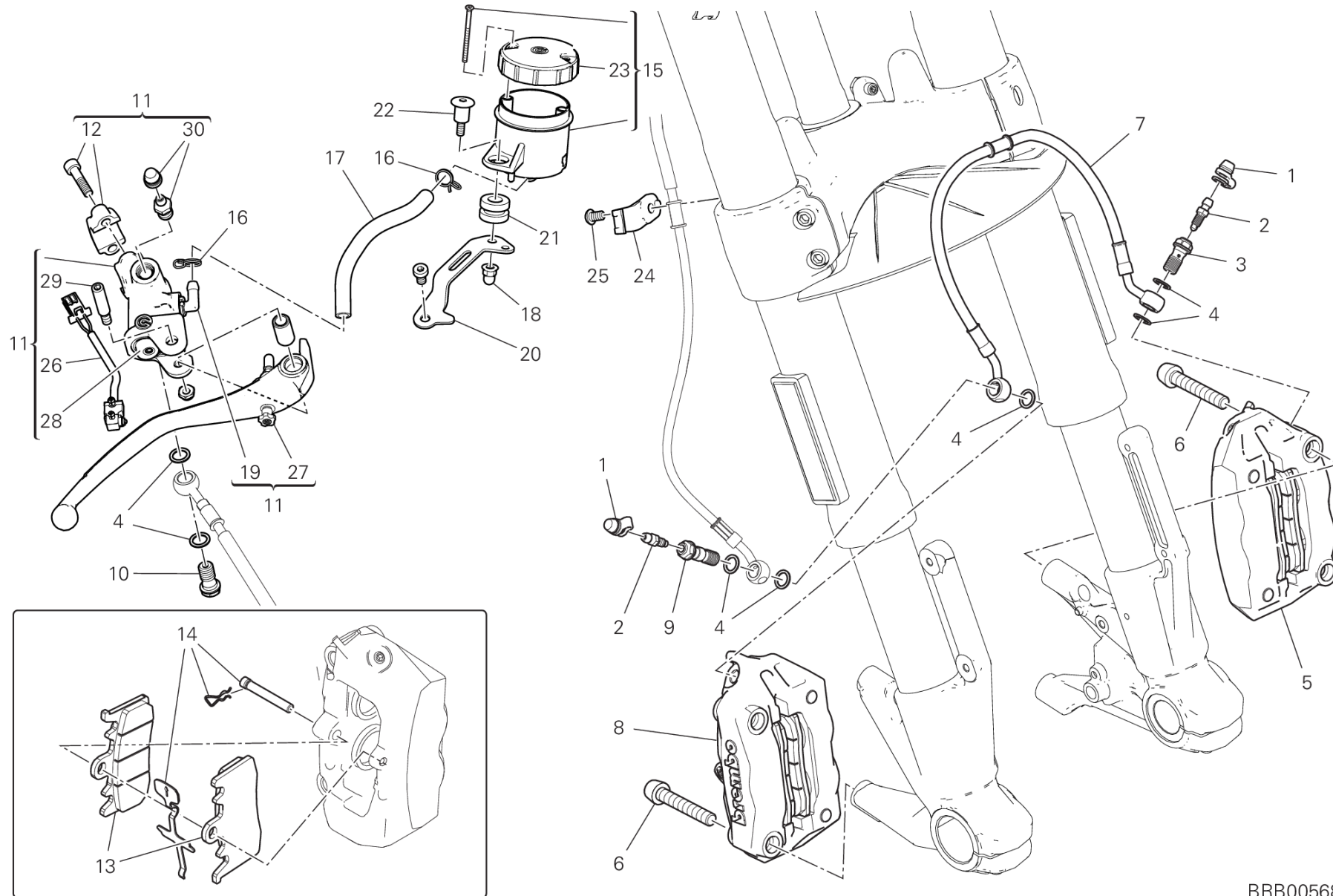
POS.	CODE	DESCRIPTION	QTY	START DATE	END DATE	VALIDITY	NOTES
1	77918291AA	SCREW, SPECIAL	4	22/10/2013			
2	47018001CA	FRAME RED	1	25/01/2017		XST:EUR,JAP,TWN	
	47018091AA	FRAME RED	1	25/01/2017		XST:AUS	AUS - CHN
3	77350618B	SCREW TCEIR M6X8	2	22/10/2013			
4	83018172AA	BRACKET, FUSE BOX	1	22/10/2013			
5	67110601D	SPARK PLUG CABLE, HORIZONTAL HEAD	1	22/10/2013			
6	67040451A	SPARK PLUG NGK MAR9A-J	2	26/02/2013			
7	87210922A	LEFT PAD	1	10/01/2014			
8	87210912A	RIGHT PAD	1	10/01/2014			
9	67110592B	SPARK PLUG CABLE, VERTICAL HEAD	1	22/10/2013			
10	77354743B	SCREW TCEIR M5X20 DIN6912 8.8	2	22/10/2013			
11	77214351AA	SCREW, SPECIAL	4	23/05/2016			
12	76410241A	VIBRATION DAMPER PAD	4	22/10/2013			
13	8301E221BA	BRACKET, COIL	1	23/05/2016			
14	74810351B	NUT	2	22/10/2013			
15	38010151A	IGNITION COIL	2	23/05/2016			
16	77156413B	SCREW TCEIF M5X16	2	22/10/2013			
17	76410981A	VIBRATION DAMPER PAD	1	16/03/2015			
18	48212341A	CAP LH	1	25/01/2017			
19	77214411AA	SCREW	3	10/04/2017			
20	48212331A	CAP RH	1	25/01/2017			
21	77240453C	SCREW TBEIF M6X22 10.9	1	25/01/2017			
22	71614811AA	SPACER	1	25/01/2017			
23	85041121A	BUSH	1	25/01/2017			
24	85040551A	QUICK FASTENING	3	25/01/2017			
25	76411881A	RUBBER PAD	2	25/01/2017			
26	77244173B	SCREW	1	25/01/2017			
27	8301F531AA	LEFT BRACKET	1	25/01/2017			
28	85044281A	QUICK FASTENING	1	25/01/2017			
29	76414301A	RUBBER PAD	2	10/04/2017			



BRB00567



POS.	CODE	DESCRIPTION	QTY	START DATE	END DATE	VALIDITY	NOTES
1	8291F421AA	HOLDER	1	05/05/2016			
2	7791A101AA	SCREW, SPECIAL	1	05/05/2016			
3	63640022A	CLUTCH LEVER	1	16/11/2016			
4	7791A091AA	REGULATOR	1	05/05/2016			
5	79940221A	SPRING	1	01/01/2012			
6	73210582D	FLEXIBLE CABLE	1	25/01/2017			
7	74841081A	NUT, SELF-LOCKING	1	05/05/2016			
8	53940871A	MICROSWITCH	1	16/11/2016			
9	53940811A	HOLDER	1	05/05/2016			
10	77140911A	SCREW	1	05/05/2016			
11	62640971A	BRACKET, CLUTCH MASTER CYLINDER	1	01/10/2016			
12	77150693B	SCREW	2	01/06/2014			
13	77540071A	SCREW	1	05/05/2016			



BRB00568

DRAWING 024 - FRONT BRAKE SYSTEM [MOD:SS 939]

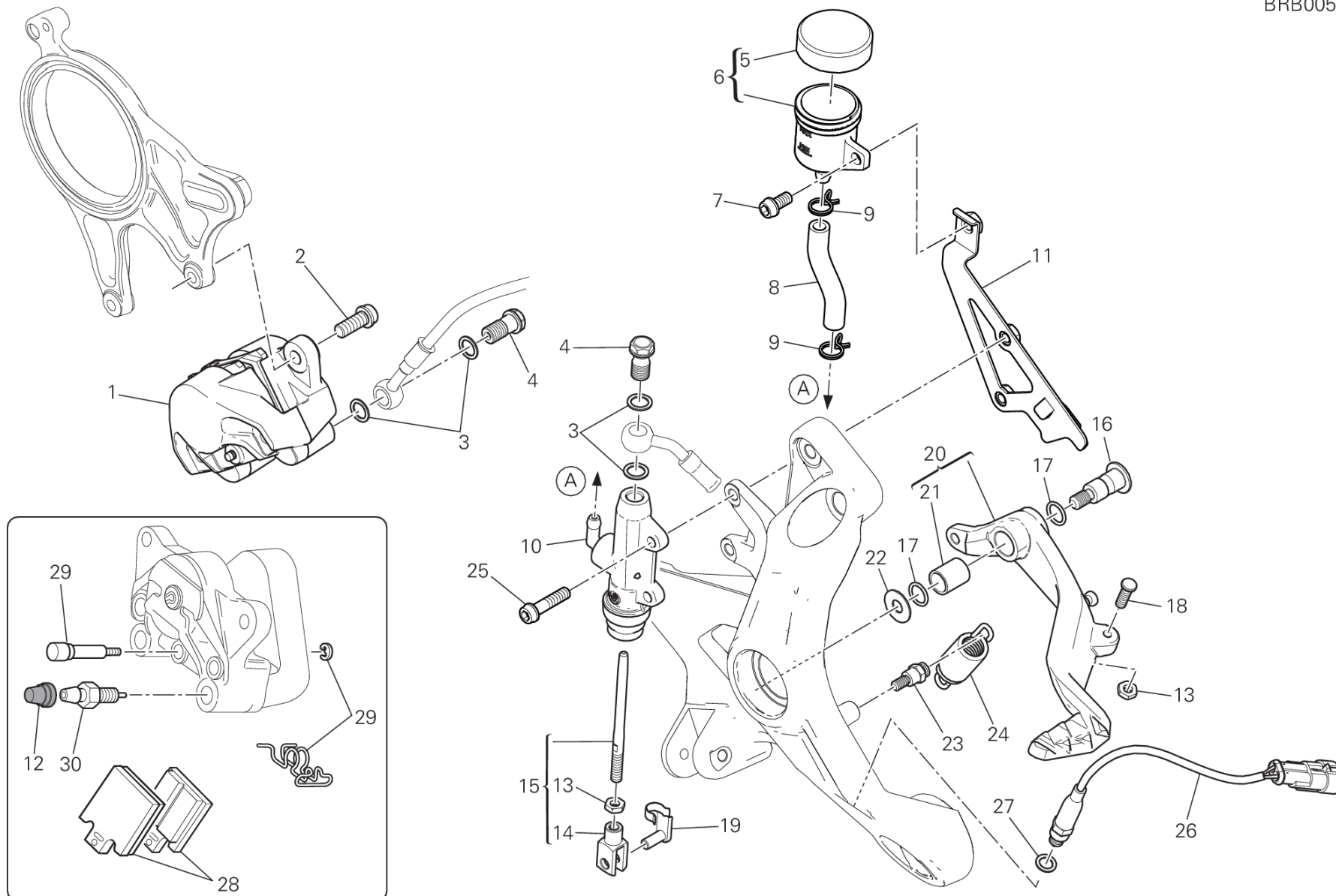
GROUP FRAME



POS.	CODE	DESCRIPTION	QTY	START DATE	END DATE	VALIDITY	NOTES
1	61240052A	DUST COVER (SACCHETTO Q.tà 20)	2	20/09/2013			
2	18710021A	VALVE, BREATHER	2	20/09/2013			
3	77913971A	BOLT, BRAKE HOSE	1	20/09/2013			
4	85250241A	WASHER 10X14X1	7	20/09/2013			
5	61041292C	LEFT FRONT BRAKE CALIPER	1	14/10/2016			
6	77913311D	SCREW M 10 X 60	4	22/10/2013			
7	61810981A	HOSE, FRONT BRAKE CALIPER-CALIPER	1	01/07/2016			
8	61041302C	RIGHT FRONT BRAKE CALIPER	1	14/10/2016			
9	77914651A	BOLT, BRAKE HOSE	1	20/09/2013			
10	77914151A	BOLT, BRAKE HOSE	1	20/09/2013			
11	62441102A	FRONT BRAKE PUMP	1	07/01/2016			
12	62640571A	BRACKET, MASTER CYLINDER	1				
13	61341021A	FRONT BRAKE PADS SET	2	01/07/2012			
14	61240511A	SPARE PIN AND SPRING	2	01/07/2012			
15	58540221A	RESERVOIR, BRAKE FLUID	1	20/09/2013			
16	74140431A	CLAMP	2	20/09/2013			
17	87710381A	HOSE, OIL	1	07/01/2016			
18	75011921A	NUT	1	13/06/2016			
19	63140541A	JOINT, HOSE	1				
20	8291A691AA	BRACKET	1				
21	76414191A	RUBBER PAD	1				
22	77910921B	SCREW	1				
23	89340211A	PLUG ASSY FRONT BRAKE PUMP	1				
24	83018691A	GUIDE, FRONT BRAKE HOSE	1	22/10/2013			
25	77510541A	SCREW TBEI M6X10	1	22/10/2013			
26	53940881A	MICROSWITCH	1	18/11/2016			
27	62610121A	LEVER, FRONT BRAKE	1				
28	61240391A	DUST COVER	1				
29	62640561A	BOLT, LEVER	1				
30	63140281A	DRAIN	1				



BRB00562

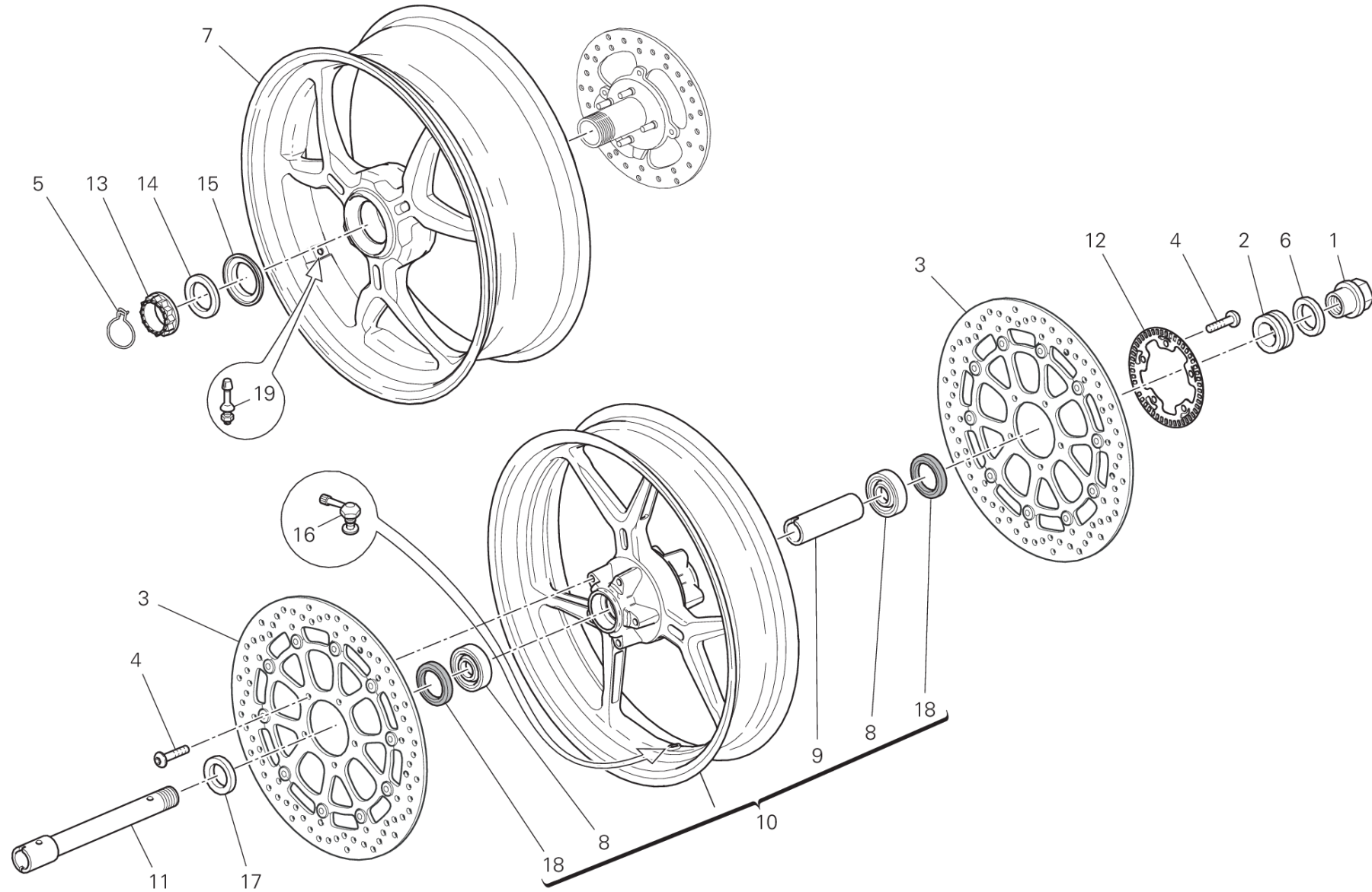


DRAWING 025 - REAR BRAKE SYSTEM [MOD:SS 939]

GROUP FRAME



POS.	CODE	DESCRIPTION	QTY	START DATE	END DATE	VALIDITY	NOTES
1	61140421A	REAR BRAKE CALIPER	1	20/09/2013			
2	77157238B	SCREW TCEIF M8X20	2	22/10/2013			
3	85250241A	WASHER 10X14X1	4	20/09/2013			
4	77913662AB	BOLT, BRAKE HOSE	2	20/09/2013			
5	89340051A	COVER MASTER CYLINDER	1	01/05/2011			
6	58540011A	RESERVOIR, BRAKE FLUID	1	21/01/2015			
7	77113691C	SCREW	1	22/10/2013			
8	87710691A	HOSE 6.5X10.5	1	09/11/2015			
9	74140431A	CLAMP	2	20/09/2013			
10	62540201A	REAR BRAKE PUMP	1	20/09/2013			
11	82717873BA	BRACKET, TANK	1	25/01/2017			
12	61240081A	DUST PLUG	1				
13	74750051B	NUT	2	01/03/2013			
14	18410051A	FORK HEADS DIN 71752	1	01/03/2013			
15	11723531AA	ROD, BRAKE (Unit)	1	22/10/2013			
16	82111701CA	PIN PEDAL	1	19/09/2013			
17	88641161A	O-RING	2	19/09/2013			
18	77919121AA	SCREW	1	07/02/2014			
19	85010151A	QUICK FASTENING	1	22/10/2013			
20	45720571AA	BRAKE CONTROL LEVER (Unit)	1	19/09/2013			
21	71210341A	BUSH	1	01/03/2013			
22	85210532A	WASHER 8.2X20X1	1	19/09/2013			
23	82112731A	PIN	1	19/09/2013			
24	79925771B	COMPLETE SPRING	1	19/09/2013			
25	77156683B	SCREW	2	10/03/2016			
26	53940031C	SWITCH, STOP	1	19/09/2013			
27	42020008A	COPPER GASKET 11X8.2X1	1	19/09/2013			
28	61340951A	REAR BRAKE PADS SET	1	10/06/2013			
29	61240161A	PAD PINS OVERHAUL KIT	1				
30	63140161A	FRONT CALIPER DRAIN SCREW	1				



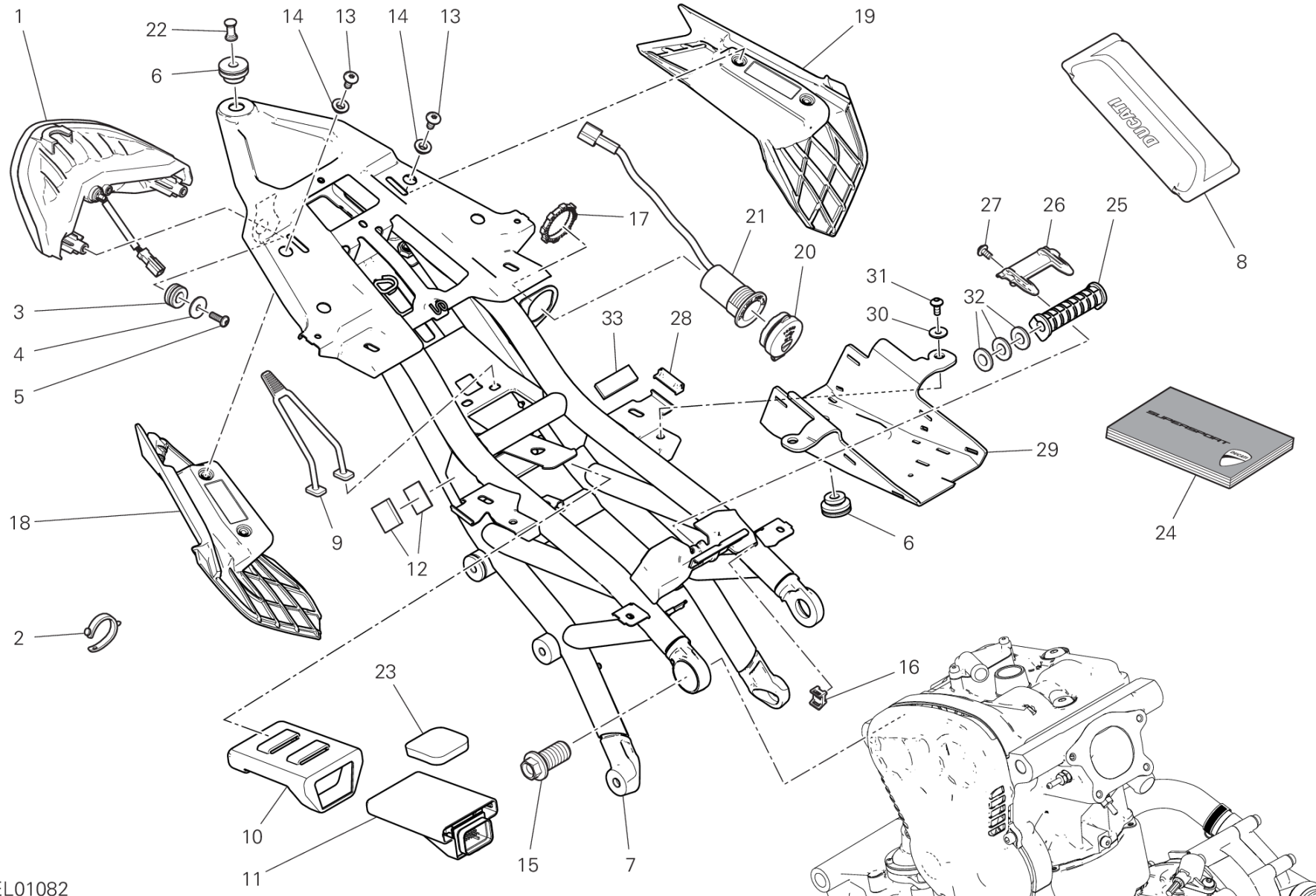
TEL01046

DRAWING 026 - RUOTA ANTERIORE E POSTERIORE [MOD:SS 939]

GROUP FRAME



POS.	CODE	DESCRIPTION	QTY	START DATE	END DATE	VALIDITY	NOTES
1	74810651A	NUT	1	08/05/2013			
2	71311973A	LEFT SPACER	1	08/05/2013			
3	49241011A	FRONT BRAKE DISC	2	14/09/2016		PLT:DB10	
4	72010513C	SCREW	10	15/04/2013			
5	75910222A	CLIP	1	08/05/2013			
6	85212221A	WASHER 30X40X1	1	08/05/2013			
7	50211941AA	REAR WHEEL RIM BLACK	1	01/05/2016		XCO:R	
8	70250621A	BEARING	2	26/09/2013			
9	71413241AA	INNER SPACER	1	26/09/2013			
10	50121783AE	FRONT WHEEL RIM BLACK	1	19/01/2017		XCO:R	
11	81910601A	FRONT WHEEL SPINDLE	1	08/05/2013			
12	50410051A	FRONT PHONIC WHEEL	1	15/04/2013			
13	75011391A	NUT	1	08/05/2013			
14	85212211A	WASHER 48.5X65X0.5	1	08/05/2013			
15	71411352AA	SPACER	1	25/01/2017			
16	49720071AB	VALVE, TUBELESS TIRE	1	19/01/2017			
17	71311961A	RIGHT SPACER	1	08/05/2013			
18	93040521A	SEAL RING 35X47.15X6.8	2	26/09/2013			
19	49720031A	VALVE, TUBELESS TIRE	1	19/12/2016			



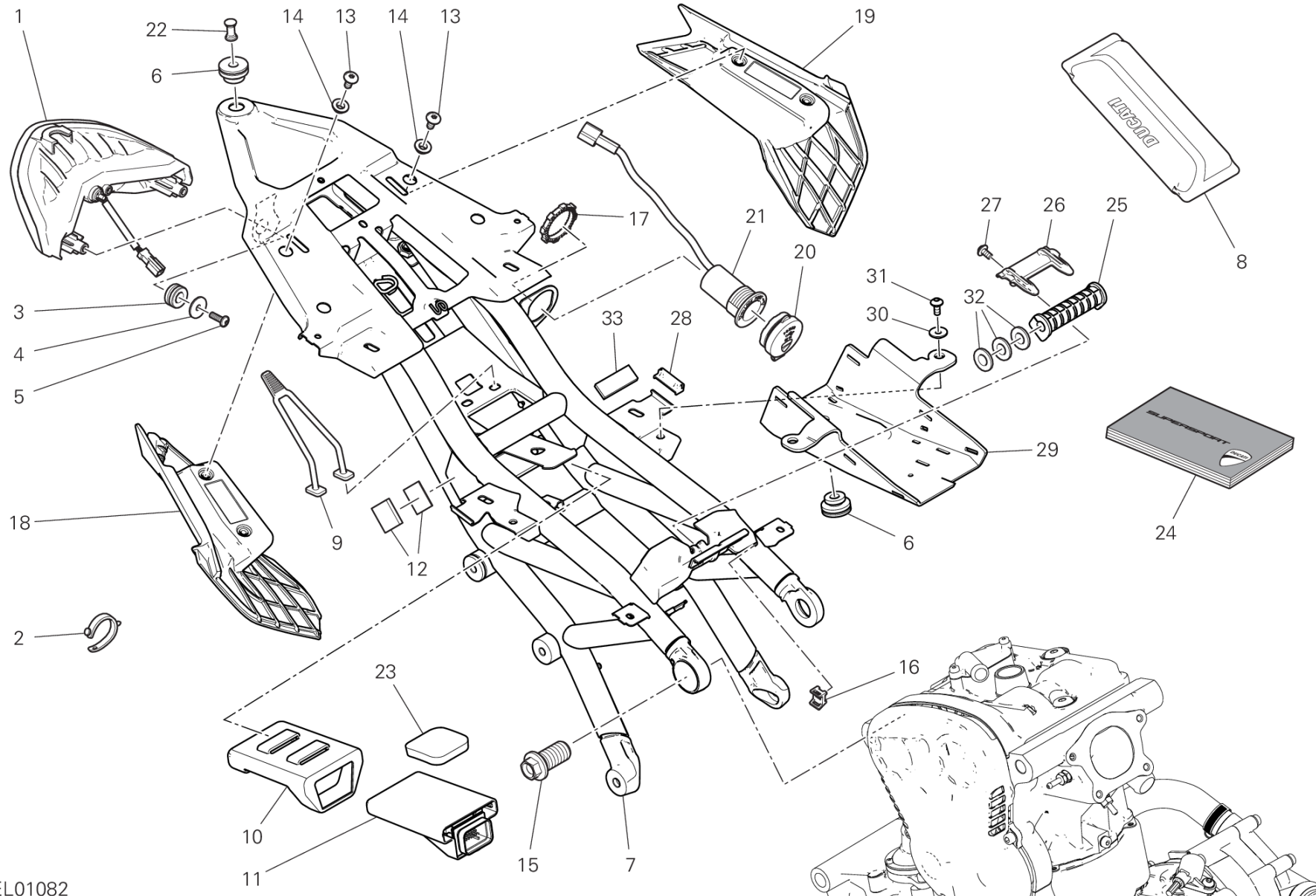
TEL01082

DRAWING 027 - REAR FRAME COMP. [MOD:SS 939]

GROUP FRAME



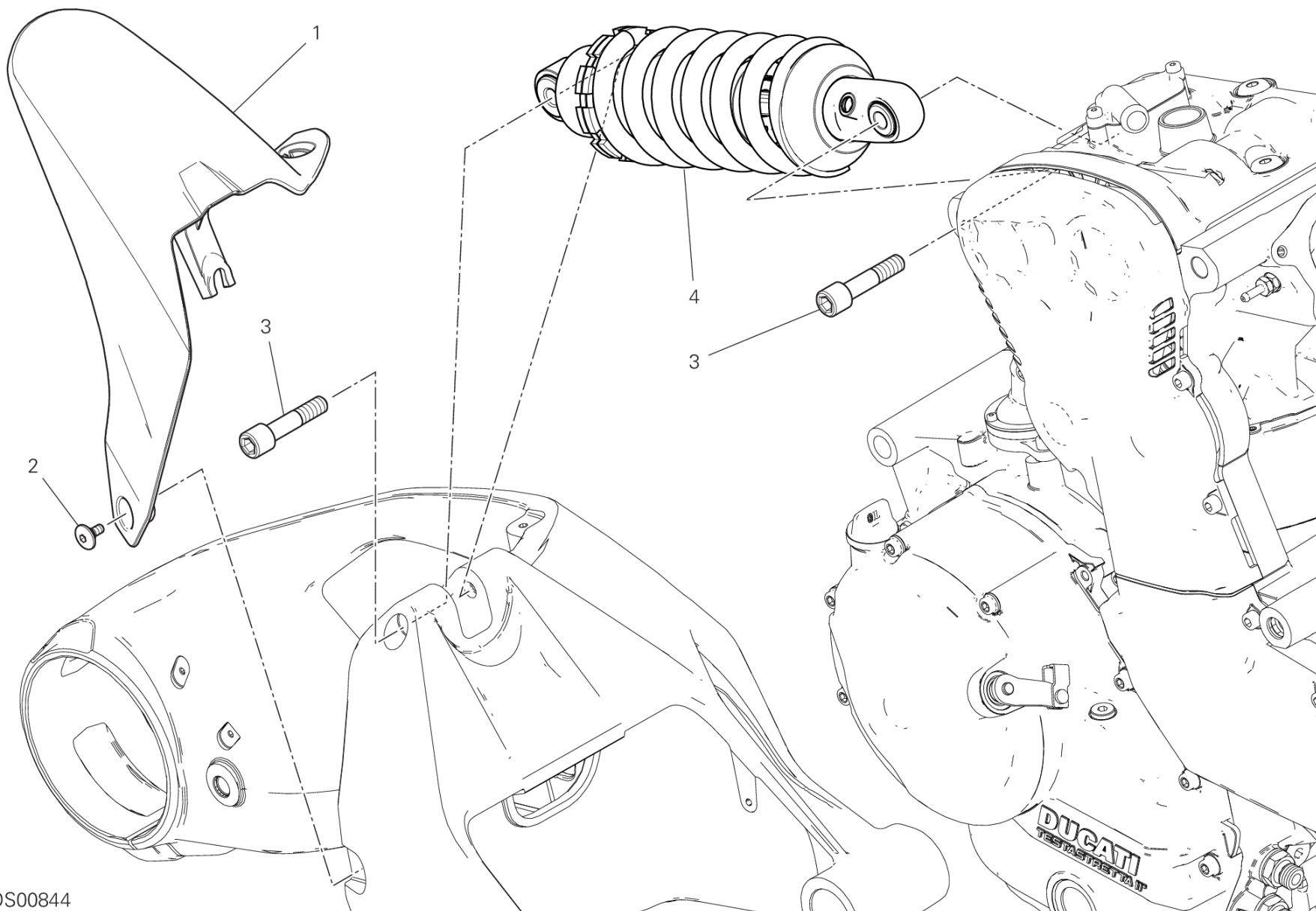
POS.	CODE	DESCRIPTION	QTY	START DATE	END DATE	VALIDITY	NOTES
1	52510483B	TAILLIGHT	1	12/05/2014			
2	74110121A	CLAMP, RUBBER 62MM	1	10/03/2016			
3	76412101A	RUBBER PAD	2	12/05/2014			
4	71614921AA	SPACER	2	05/09/2016			
5	77440041A	SCREW, TAPPING M5X16	2	22/10/2013			
6	76412091A	VIBRATION DAMPER PAD	2	12/05/2014			
7	47018022CA	REAR FRAME BLACK	1	18/11/2016		PLT:DB10	
8	69720291B	TOOLS KIT	1	12/05/2014			
9	75910311A	RUBBER BAND, TOOLS KIT	1	20/10/2013			
10	86611521A	VIBRATION DAMPER HOLDER	1	01/08/2013			
11	38510721C	BLACKBOX UNIT	1	18/11/2016			
12	85042241A	DUAL LOCK	1	10/03/2016			
13	77240403CA	SCREW M6X12	4	18/11/2016			
14	71615211AA	SPACER	4	05/09/2016			
15	77918301AB	SCREW, SPECIAL	2	01/12/2013			
16	85040671A	CLAMP TUCKER	8	05/09/2016			
17	75040211A	NUT	1	11/01/2016			
18	80610421A	GRIP,GRAB RAIL,RH	1	23/06/2016			
19	80610411A	GRIP,GRAB RAIL,LH	1	23/06/2016			
20	76412421B	HOLDER SOCKET, LOW VOLTAGE	1	19/09/2016			
21	38640591A	SOCKET, LOW VOLTAGE (USB)	1	05/07/2016			
22	82115511A	PIN	1	05/09/2016			
23	86611811A	PAD BLACKBOX UNIT	1	25/01/2017			
24	91373571A	OWNER'S MANUAL	1	25/01/2017		XST:AUS,EUR	IT-GB-FR-DE
	91373571B	OWNER'S MANUAL	1			XST:EUR,JAP	GB-ES-FR-JP
	91373571C	OWNER'S MANUAL	1			XST:EUR	ES-PT-GR
	91373571D	OWNER'S MANUAL	1			XST:EUR,TWN	FR-NL-KR-GB
	91373571E	OWNER'S MANUAL	1			XST:EUR	SE-FI-DK-NO
	91373571F	OWNER'S MANUAL	1			XST:EUR	PL-CZ-SK-SI
	91373571G	OWNER'S MANUAL	1			XST:EUR	HU-RO-BG-RU
	91373571R	OWNER'S MANUAL	1	25/01/2017			AR-GB
	91373571T	OWNER'S MANUAL	1	25/01/2017		XST:EUR	GB-TH
25	70010811A	RUBBER PAD	1	05/11/2016			
26	82610351BA	PLATE	1	25/01/2017			
27	71850163C	SCREW	1	25/01/2017			



TEL01082



POS.	CODE	DESCRIPTION	QTY	START DATE	END DATE	VALIDITY	NOTES
28	76411881A	RUBBER PAD	2	25/01/2017			
29	4601D913A	TRAY	1	18/11/2016			
30	71611071B	SPACER	2	18/11/2016			
31	77244178B	SCREW	2	18/11/2016			
32	85611271A	WASHER	3	10/04/2017			
33	86612461A	RUBBER PAD	1	27/03/2017			



SOS00844

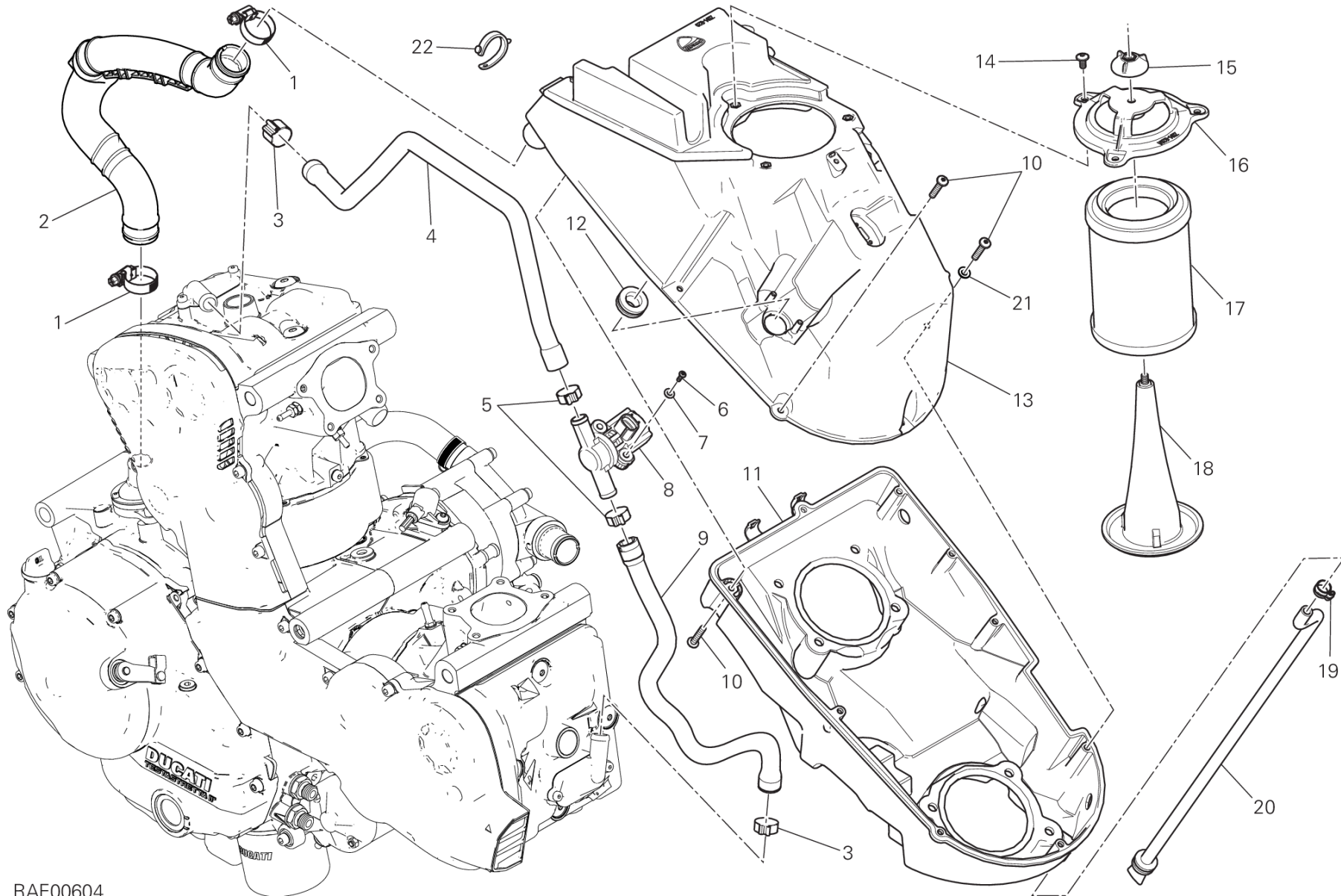


POS.	CODE	DESCRIPTION	QTY	START DATE	END DATE	VALIDITY	NOTES
1	56511111A	REAR MUDGUARD	1	10/03/2016			
2	77914871C	SCREW	3	22/10/2013			
3	77915041A	SCREW, SPECIAL	2	22/10/2013			
4	36521542A	REAR SHOCK ABSORBER	1	25/01/2017			



DRAWING 029 - AIR INTAKE - OIL BREATHER [MOD:SS 939]

GROUP FRAME



RAF00604

SUPERSPORT /18

025000018

DRAWING 029 - AIR INTAKE - OIL BREATHER [MOD:SS 939]

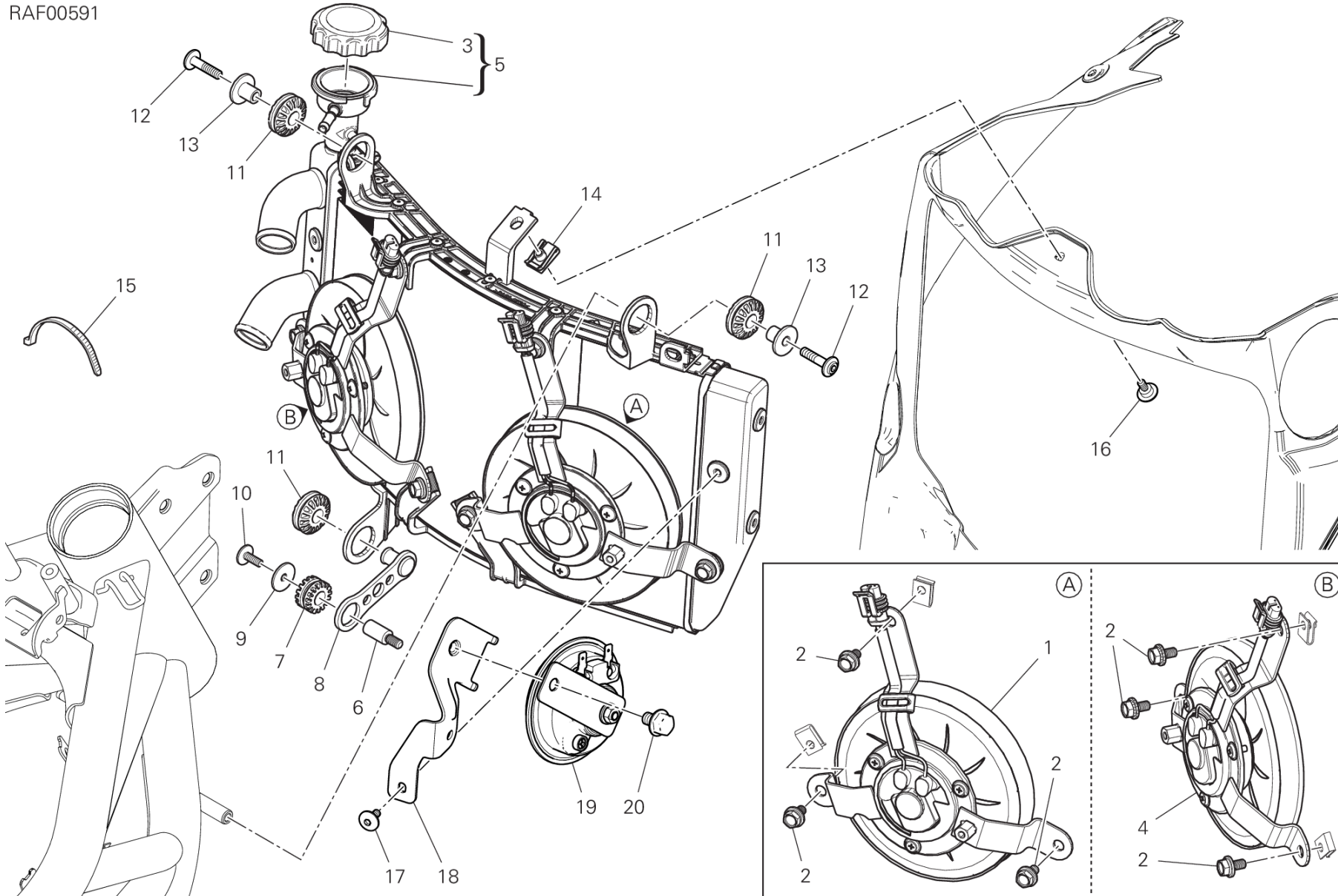
GROUP FRAME



POS.	CODE	DESCRIPTION	QTY	START DATE	END DATE	VALIDITY	NOTES
1	74142581A	CLAMP 16-27 MM	2	16/10/2015			
2	87612921A	HOSE, BLOW-BY	1	23/05/2016			
3	74142371A	CLAMP	2	05/05/2014			
4	87611211A	DUCT, AIR VERTICAL	1	12/03/2013			
5	74142401A	CLAMP	2	25/10/2013			
6	77440101A	SCREW, TAPPING 3.5X10	1	06/08/2014			
7	85240211A	WASHER 4.7X10X1	1	12/03/2013			
8	65540091A	ACTUATOR	1	12/03/2013			
9	87611221B	DUCT, AIR HORIZONTAL	1	01/09/2013			
10	77440131A	SCREW, TAPPING 5X25 WN1411	9	12/03/2013			
11	44212781B	AIR FILTER BOX LOWER	1	20/04/2016			
12	76411621A	RUBBER PAD	1	12/03/2013			
13	44212792D	AIR FILTER BOX UPPER	1	06/08/2014			
14	77240253C	SCREW	3	12/03/2013			
15	70310481A	RING NUT	1	12/03/2013			
16	24612162A	FILTER COVER UNIT	1	01/09/2013			
17	42610191A	FILTER, AIR	1	12/03/2013			
18	82919611A	CAGE, AIR FILTER	1	12/03/2013			
19	74140651A	CLAMP	1	12/03/2013			
20	59014471A	HOSE, DRAIN AIRBOX	1	12/03/2013			
21	71615071AA	SPACER	1	20/04/2016			
22	74110131A	CLAMP, RUBBER 82MM	3	23/05/2016			



RAF00591

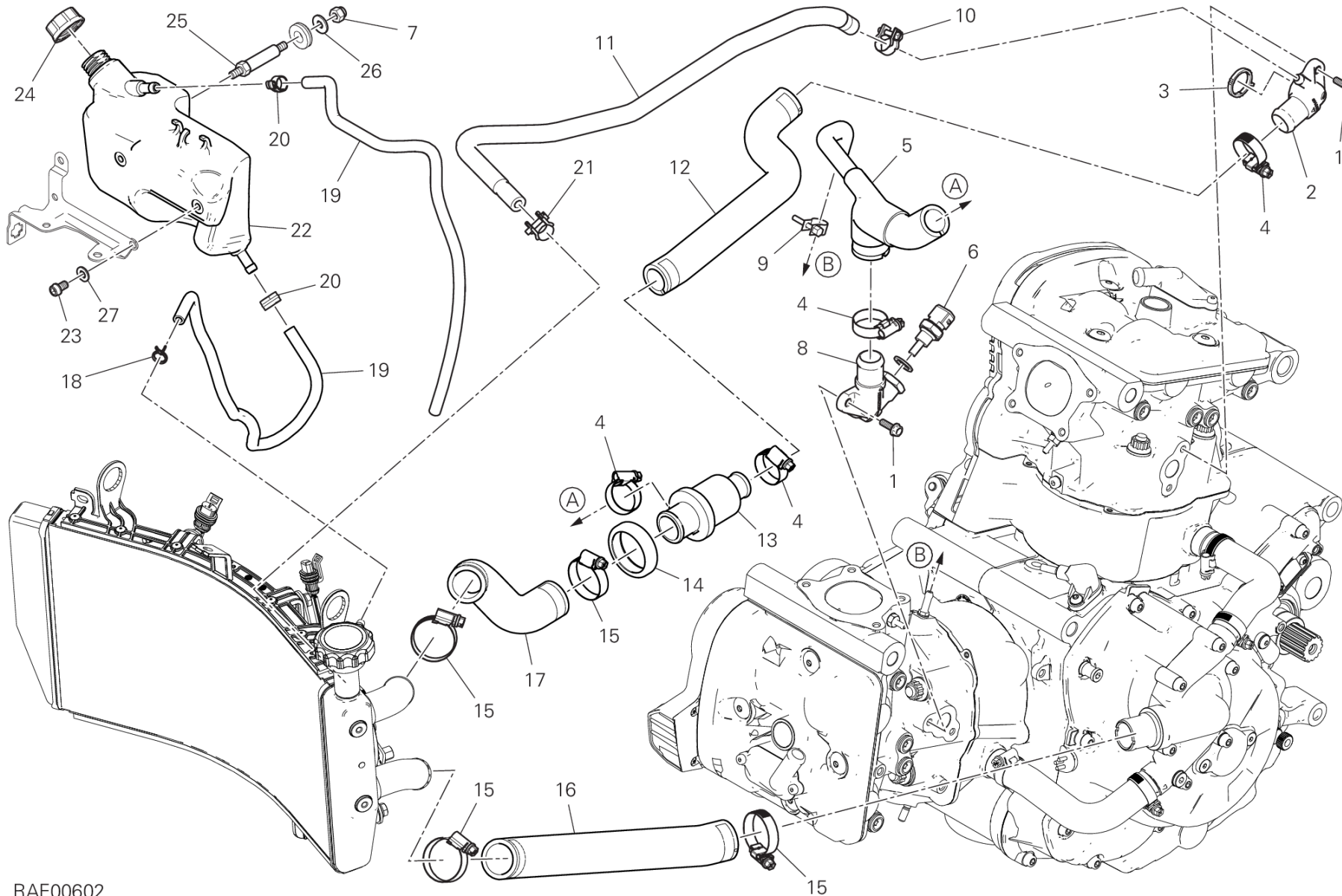


DRAWING 030 - WATER COOLER [MOD:SS 939]

GROUP FRAME



POS.	CODE	DESCRIPTION	QTY	START DATE	END DATE	VALIDITY	NOTES
1	55040281A	ELECTRIC FAN, RIGHT	1				
2	77250988B	SCREW TEF M6X14	6				
3	87240921A	RADIATOR CAP	1				
4	55040271A	ELECTRIC FAN, LEFT	1				
5	54841033A	WATER COOLER ASSY	1	01/05/2016			
6	77916081A	SCREW, SPECIAL	1	22/10/2013			
7	76410241A	VIBRATION DAMPER PAD	1	28/10/2013			
8	83018971A	BRACKET	1	19/09/2013			
9	85241711A	WASHER 5.3X20X1.5	1	22/10/2013			
10	77510471A	SCREW TBEI M5X14	1	22/10/2013			
11	76411361A	VIBRATION DAMPER PAD	3	28/10/2013			
12	77210971A	SCREW TBEI M6X25	2	23/05/2016			
13	71614091A	SPACER	2	31/10/2014			
14	85040551A	QUICK FASTENING	1	19/09/2013			
15	74140381A	CLAMP	2	01/05/2016			
16	77214411AA	SCREW	1	10/04/2017			
17	77510651A	SCREW	2	25/01/2017			
18	8301F501AA	BRACKET, HORN	1	11/10/2016			
19	51610051B	HORN	1	11/10/2016			
20	77211341A	SCREW	1	11/10/2016			



RAF00602

DRAWING 031 - COOLING SYSTEM [MOD:SS 939]

GROUP FRAME

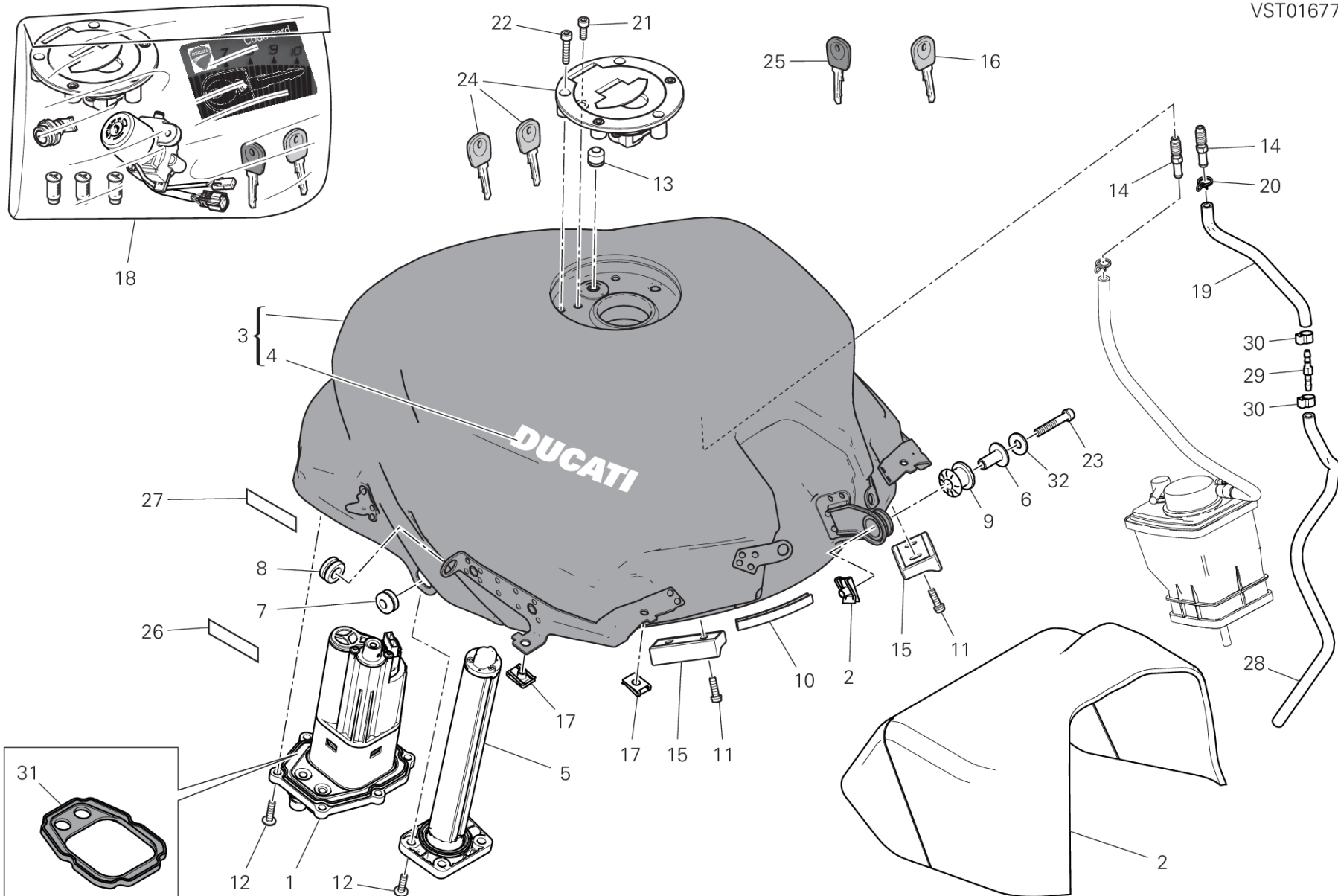


POS.	CODE	DESCRIPTION	QTY	START DATE	END DATE	VALIDITY	NOTES
1	77210623B	SCREW	4	18/02/2013			
2	81413261A	JOINT, WATER HOSE VERTICAL	1	18/02/2013			
3	88641031A	O-RING	1	18/02/2013			
4	74142581A	CLAMP 16-27 MM	4	18/02/2013			
5	80017871B	THERMOSTAT PUMP HOSE HORIZONTAL	1	25/01/2017			
6	55243442A	WATER TEMPERATURE SENSOR	1	08/10/2015			
7	74941113B	NUT	1	25/01/2017			
8	81420051A	JOINT, WATER HOSE HORIZONTAL	1	08/10/2015			
9	74142501A	CLAMP	1	16/03/2015			
10	74142121A	CLAMP	1	22/10/2013			
11	80012301A	BREATHER PIPE VERTICAL HEAD	1	28/10/2013			
12	80017851A	THERMOSTAT PUMP HOSE VERTICAL	1	23/05/2016			
13	55340041A	THERMO-SWITCH	1	22/10/2013			
14	88110461A	THERMOSTAT PROTECTION RING	1	22/10/2013			
15	74142591A	CLAMP 20-35 MM	4	22/10/2013			
16	80017842A	HOSE PUMP/COOLER	1	25/01/2017			
17	80017861A	HOSE COOLER/THERMOSTAT	1	23/05/2016			
18	74140431A	CLAMP	1	23/05/2016			
19	93410201A	BREATHER PIPE	2	01/05/2016			
20	74141711A	CLAMP 10-7 MM	2	01/08/2013			
21	74142181A	CLAMP	1	03/12/2013			
22	58511032A	TANK, WATER RESERVOIR	1	01/05/2016			
23	77156623B	SCREW TCEIF M6X10 8.8	2	01/08/2013			
24	89310143A	TANK CAP	1	01/08/2013			
25	77116671AA	HOLDER	1	01/08/2013			
26	85211911A	WASHER 6.4X16X1.5	1	22/10/2013			
27	85250271A	WASHER 6.2X12X1	2	10/04/2017			



DRAWING 032 - FUEL TANK [MOD:SS 939;XST:AUS,EUR,ROK,TWN]

GROUP FRAME



DRAWING 032 - FUEL TANK [MOD:SS 939;XST:AUS,EUR,ROK,TWN]

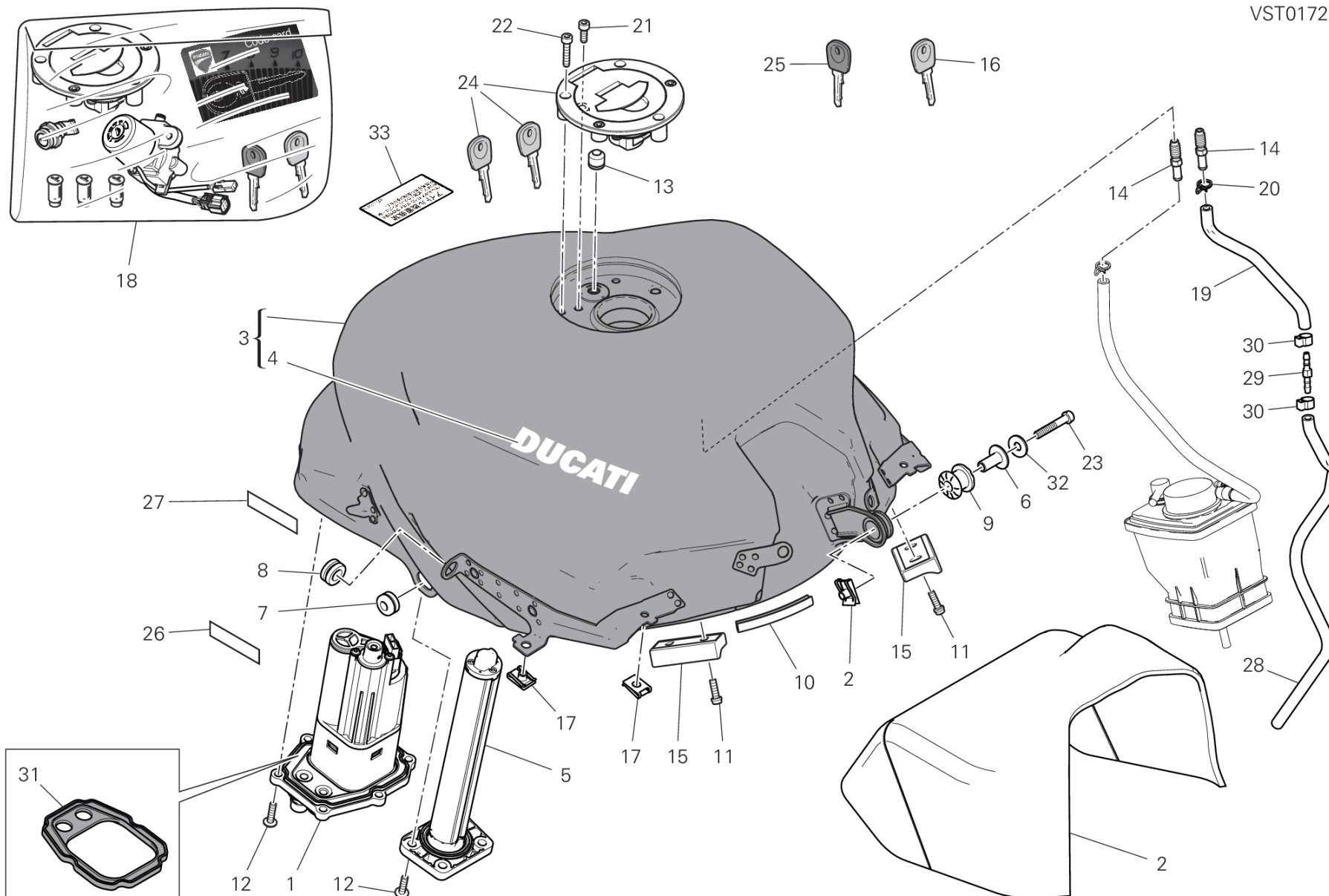
GROUP FRAME



POS.	CODE	DESCRIPTION	QTY	START DATE	END DATE	VALIDITY	NOTES
1	16024341A	BRACKET, FUEL PUMP	1	01/05/2016			
2	48611101C	DAMPER, SOUND ARRESTER	1	10/03/2016			
3	58612531BA	TANK RED	1	05/11/2016		XCO:R	
4	43818971A	EMBLEM DUCATI FOR RED	2	28/06/2016		XCO:R	
5	59210251B	FUEL LEVEL GAUGE	1	30/08/2016			
6	71615391AA	SPACER	1	22/07/2016			
7	76410291A	RUBBER PAD	2	22/07/2016			
8	76410901A	RUBBER PAD	2	22/07/2016			
9	76411521A	RUBBER PAD	1	22/07/2016			
10	76412061A	RUBBER SECTION	3	01/04/2014			
11	77156413B	SCREW TCEIF M5X16	4	01/05/2016			
12	77244213B	SCREW	10	01/05/2016			
13	79111111A	GASKET	1	25/06/2013			
14	81413251A	UNION	2	25/06/2013			
15	86611721C	PAD, FUEL TANK	2	01/03/2013			
16	59840183A	KEY WITHOUT TRANSPONDER	1	04/04/2013			
17	85040551A	QUICK FASTENING	4	22/07/2016			
18	59821061A	LOCKS KIT	1	05/07/2016			
19	59017821B	HOSE, DRAIN	1	28/02/2017			
20	74140431A	CLAMP	1	23/05/2016			
21	77150408B	SCREW TCEI M5X14	1	22/10/2013			
22	77150457E	SCREW M5X25	3	22/10/2013			
23	77156723B	SCREW	1	22/07/2016			
24	89520072A	TANK CAP	1	04/04/2013			
25	59840361A	KEY WITH TRANSPONDER	1	04/04/2013			
26	92610401A	GUARD	2	28/02/2017			
27	92610051A	GUARD	2	28/02/2017			
28	59018471A	HOSE, DRAIN	1	25/01/2017			
29	81416361A	UNION	1	28/02/2017			
30	74141711A	CLAMP 10-7 MM	2	20/02/2017			
31	69926951A	GASKET KIT	1				
32	85211671B	WASHER	1	10/04/2017			



VST01726



DRAWING 032 - FUEL TANK [MOD:SS 939;XST:JAP]

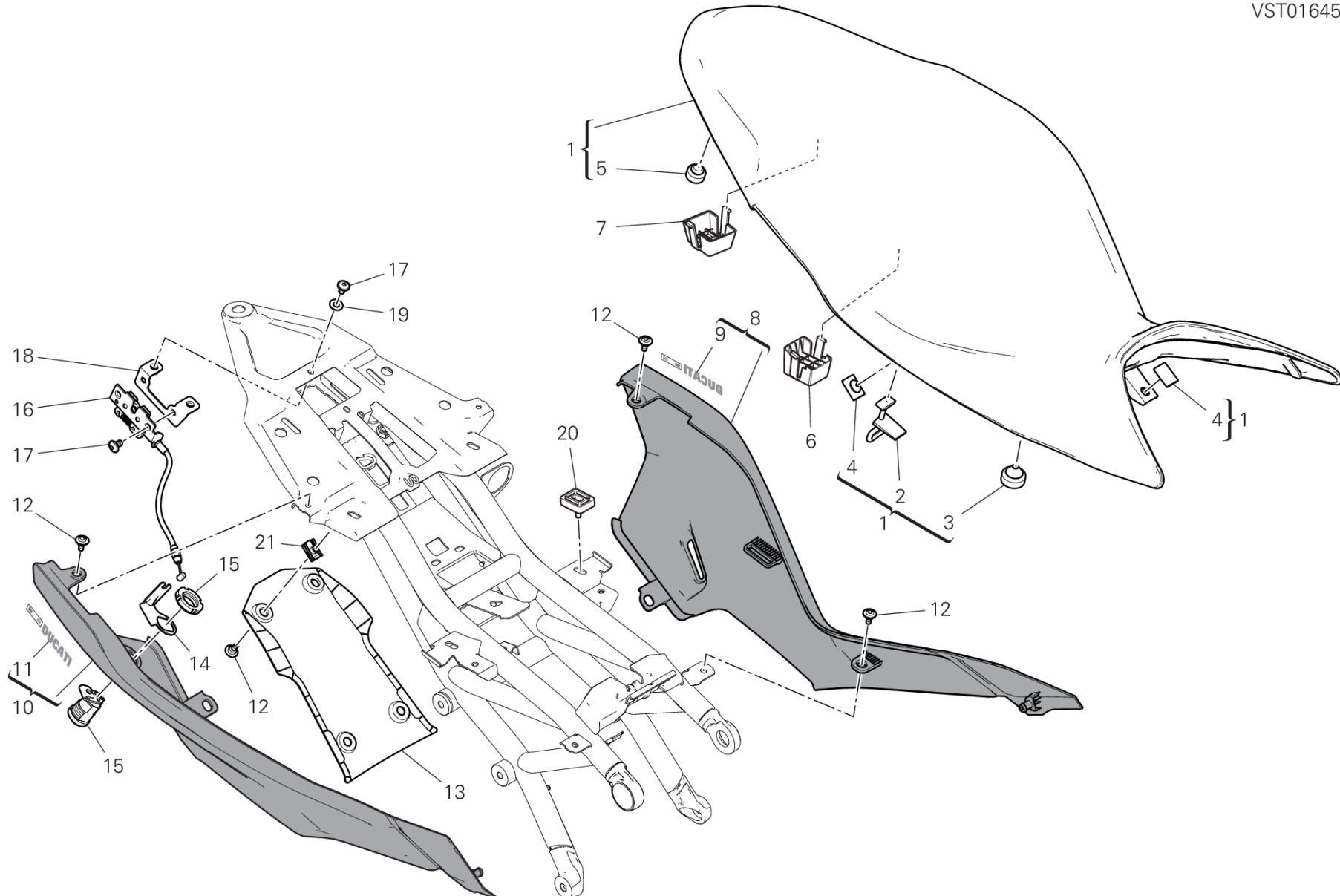
GROUP FRAME



POS.	CODE	DESCRIPTION	QTY	START DATE	END DATE	VALIDITY	NOTES
1	16024341A	BRACKET, FUEL PUMP	1	01/05/2016			
2	48611101C	DAMPER, SOUND ARRESTER	1	10/03/2016			
3	58612531BA	TANK RED	1	05/11/2016		XCO:R	
4	43818971A	EMBLEM DUCATI FOR RED	2	28/06/2016		XCO:R	
5	59210251B	FUEL LEVEL GAUGE	1	30/08/2016			
6	71615391AA	SPACER	1	22/07/2016			
7	76410291A	RUBBER PAD	2	22/07/2016			
8	76410901A	RUBBER PAD	2	22/07/2016			
9	76411521A	RUBBER PAD	1	22/07/2016			
10	76412061A	RUBBER SECTION	3	01/04/2014			
11	77156413B	SCREW TCEIF M5X16	4	01/05/2016			
12	77244213B	SCREW	10	01/05/2016			
13	79111111A	GASKET	1	25/06/2013			
14	81413251A	UNION	2	25/06/2013			
15	86611721C	PAD, FUEL TANK	2	01/03/2013			
16	59840183A	KEY WITHOUT TRANSPONDER	1	04/04/2013			
17	85040551A	QUICK FASTENING	4	22/07/2016			
18	59821061A	LOCKS KIT	1	05/07/2016			
19	59017821B	HOSE, DRAIN	1	28/02/2017			
20	74140431A	CLAMP	1	23/05/2016			
21	77150408B	SCREW TCEI M5X14	1	22/10/2013			
22	77150457E	SCREW M5X25	3	22/10/2013			
23	77156723B	SCREW	1	22/07/2016			
24	89520072A	TANK CAP	1	04/04/2013			
25	59840361A	KEY WITH TRANSPONDER	1	04/04/2013			
26	92610401A	GUARD	2	28/02/2017			
27	92610051A	GUARD	2	28/02/2017			
28	59018471A	HOSE, DRAIN	1	25/01/2017			
29	81416361A	UNION	1	28/02/2017			
30	74141711A	CLAMP 10-7 MM	2	20/02/2017			
31	69926951A	GASKET KIT	1				
32	85211671B	WASHER	1	10/04/2017			
33	43217911Z	MARKING PLATE	1	10/04/2017			



VST01645



DRAWING 033 - SEAT [MOD:SS 939]

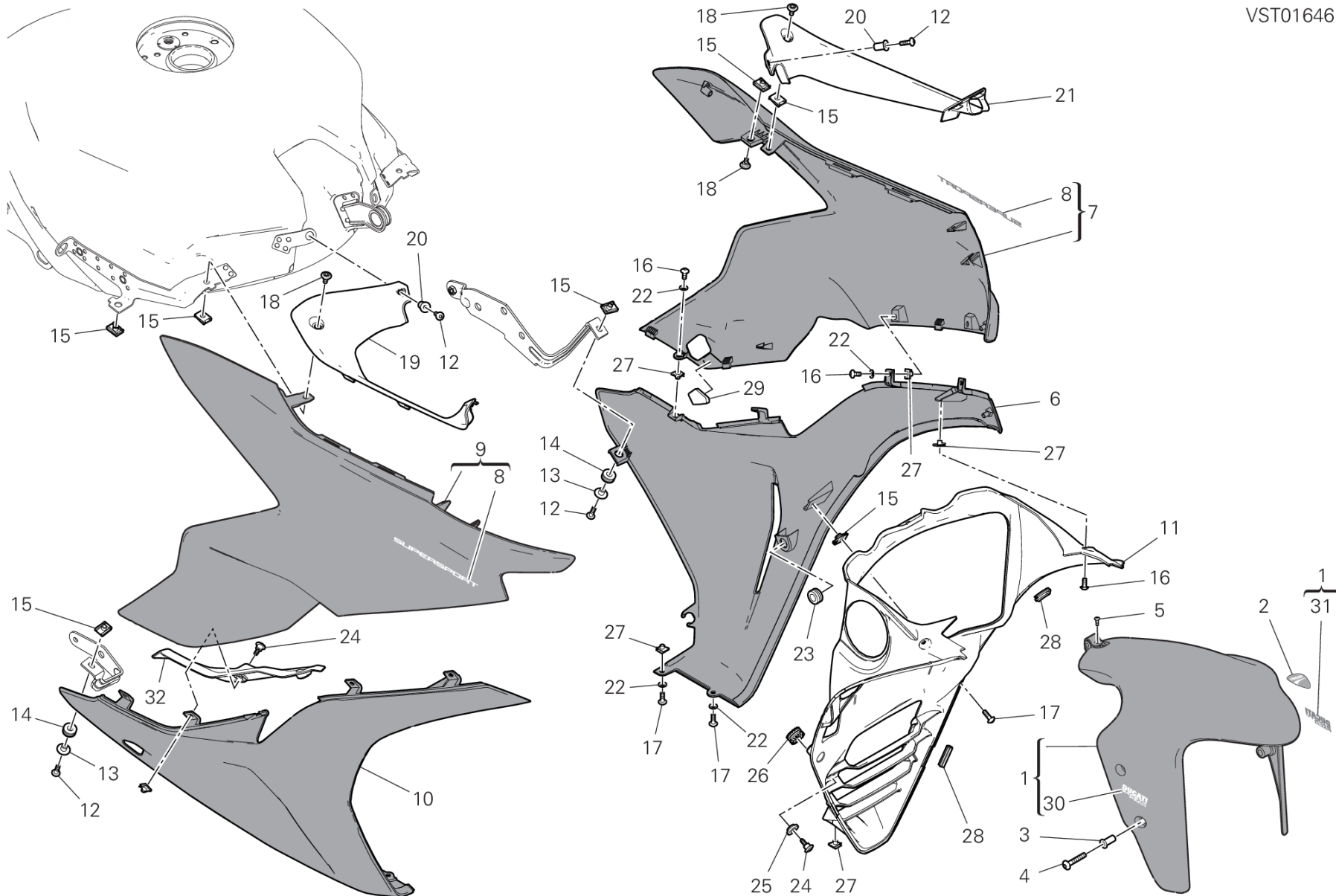
GROUP FRAME



POS.	CODE	DESCRIPTION	QTY	START DATE	END DATE	VALIDITY	NOTES
1	595P5952A	SEAT	1	25/01/2017			
2	75910291A	RUBBER BAND	1	06/06/2016			
3	86611001B	PAD	2	06/06/2016			
4	86610301A	PAD	4	06/06/2016			
5	86612221A	CUSHION, SEAT	2	06/06/2016			
6	8291C362A	SEAT SUPPORT Front	2	23/05/2016			
7	8291C372A	SEAT SUPPORT	2	23/05/2016			
8	48216772AA	COVER FRAME LH RED	1	25/01/2017		XCO:R	
9	43818961A	ITA FLAG STICKER DUCATI LH FOR RED	1	28/06/2016		XCO:R	
10	48216782AA	COVER FRAME RH RED	1	25/01/2017		XCO:R	
11	43818951A	ITA FLAG STICKER DUCATI RH FOR RED	1	28/06/2016		XCO:R	
12	77214411AA	SCREW	8	10/04/2017			
13	4601F111A	MUDFLAP BOTTOM	1	28/06/2016			
14	83014401A	BRACKET, SEAT LOCK	1	28/06/2016			
15	59820572A	SEAT LOCK	1	04/04/2013			
16	59940081A	SEAT LOCK	1	03/10/2016			
17	77240393C	SCREW TBEIF M6X10 10.9	4	18/11/2016			
18	8301F321AB	BRACKET	1	18/11/2016			
19	85240171A	WASHER 10.5X18X1.6	2	18/11/2016			
20	86611701A	RUBBER PAD	4	18/11/2016			
21	85040551A	QUICK FASTENING	4	05/11/2016			



VST01646

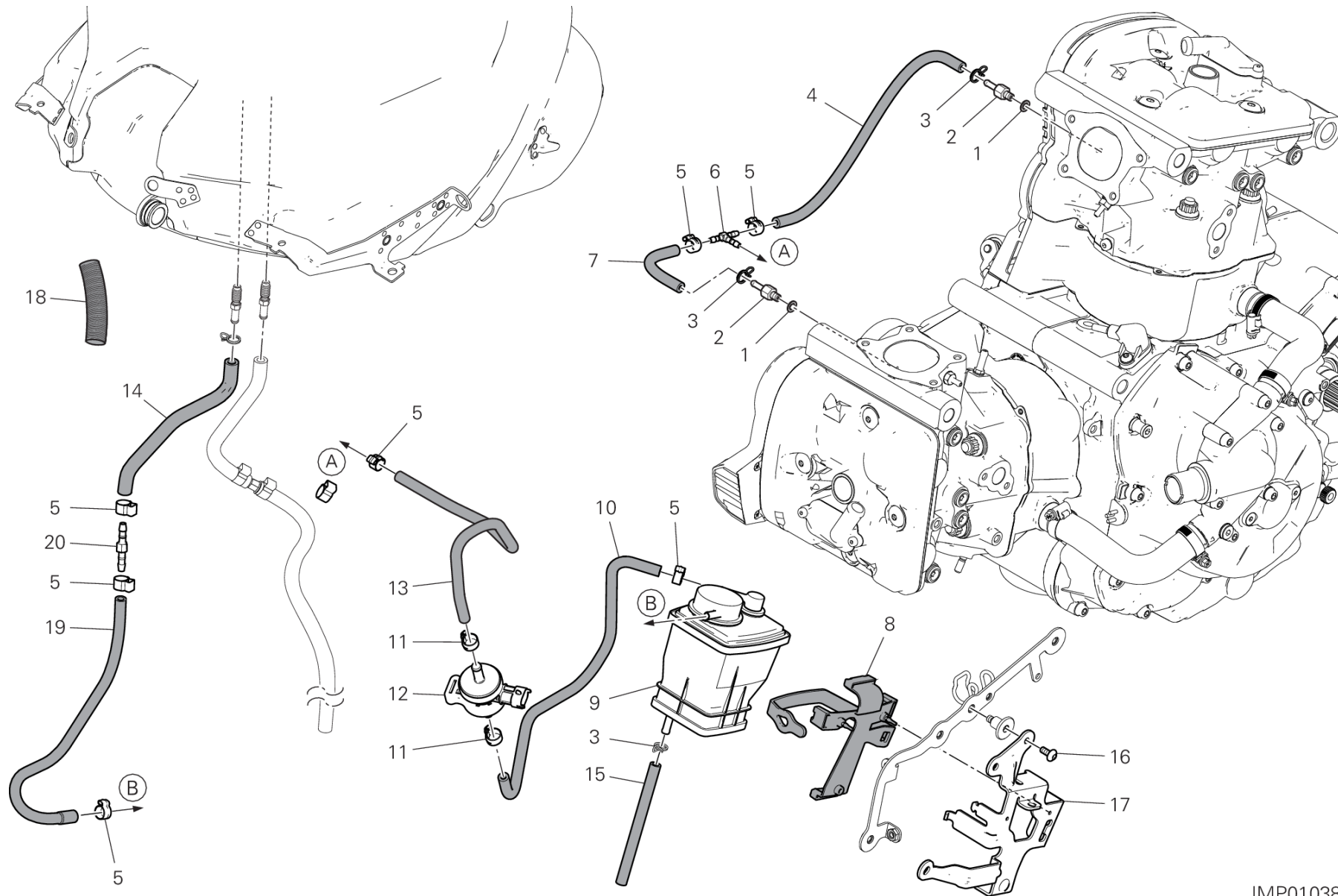


DRAWING 034 - FAIRING [MOD:SS 939]

GROUP FRAME



POS.	CODE	DESCRIPTION	QTY	START DATE	END DATE	VALIDITY	NOTES
1	564P6482AA	FRONT FENDER RED	1	25/01/2017		XCO:R	
2	43814741A	EMBLEM DUCATI	1	28/06/2016			
3	71615381AA	SPACER	4	23/05/2016			
4	77244403BA	SCREW	4	25/01/2017			
5	77440101A	SCREW, TAPPING 3.5X10	1	23/05/2016			
6	48018851BB	LEFT LOWER FAIRING RED	1	27/01/2017		XCO:R	
7	48018841BB	LEFT UPPER FAIRING RED	1	27/01/2017		XCO:R	
8	4381A881A	TRANSFER SUPERSPORT	2	28/06/2016		XCO:R	
9	48018821BB	RIGHT UPPER FAIRING RED	1	24/01/2017		XCO:R	
10	48018831BB	RIGHT LOWER FAIRING RED	1	24/01/2017		XCO:R	
11	48411431B	RADIATOR PROTECTION	1	06/06/2016			
12	77244203B	SCREW	4	06/06/2016			
13	71614251A	SPACER	2	06/06/2016			
14	76410841B	RUBBER PAD	2	06/06/2016			
15	85040551A	QUICK FASTENING	8	22/07/2016			
16	77244173B	SCREW	11	24/01/2017			
17	77244198B	SCREW	4	25/01/2017			
18	77214411AA	SCREW	4	10/04/2017			
19	48018752A	COVER, RADIATOR, RH	1	01/03/2017			
20	85040821A	THREADED INSERT	2	05/11/2016			
21	48018762A	COVER, RADIATOR, LH	1	01/03/2017			
22	85611401A	WASHER	15	25/01/2017			
23	76410901A	RUBBER PAD	2	06/06/2016			
24	77210841C	SCREW	5	06/06/2016			
25	76411511A	RUBBER PAD	2	06/06/2016			
26	76410241A	VIBRATION DAMPER PAD	2	06/06/2016			
27	85040471A	QUICK FASTENING M5	15	24/01/2017			
28	76411541A	RUBBER PAD	4	25/01/2017			
29	86612361A	PAD	1	25/01/2017			
30	43713351A	R.H. DECAL (DUCATI SAFETY PACK) FOR RED	1	30/11/2016		XCO:R	
31	43713361A	L.H. DECAL (DUCATI SAFETY PACK) FOR RED	1	30/11/2016		XCO:R	
32	48019281A	GUARD	1	24/01/2017			



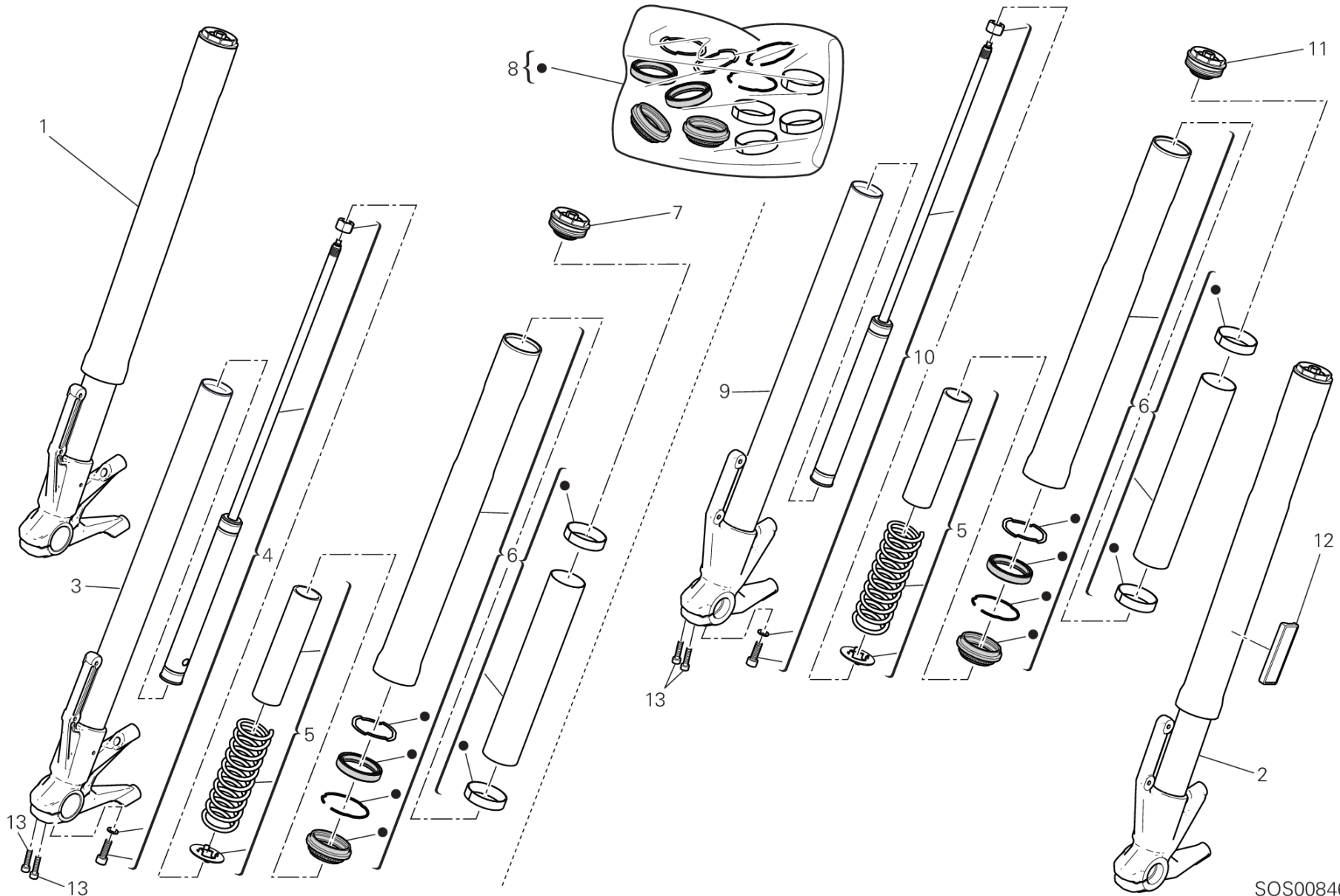
IMP01038

DRAWING 035 - HOT AIR PIPE CANISTER [MOD:SS 939]

GROUP FRAME



POS.	CODE	DESCRIPTION	QTY	START DATE	END DATE	VALIDITY	NOTES
1	85250231A	GASKET	2	02/11/2015			
2	81411111C	NIPPLE, HOSE	2	02/11/2015			
3	74140431A	CLAMP	4	01/10/2016			
4	93510251C	PIPE	1	01/10/2016			
5	74141711A	CLAMP 10-7 MM	7	01/10/2016			
6	81411831A	THREE-WAYS UNION	1	01/10/2016			
7	93510261C	PIPE	1	01/10/2016			
8	70010751A	VIBRATION DAMPER	1	01/10/2016			
9	42640041B	CANISTER FILTER	1	01/10/2016			
10	93510351A	PIPE	1	01/10/2016			
11	74140651A	CLAMP	2	01/10/2016			
12	65540101A	VALVE, BREATHER	1	01/10/2016			
13	93510361B	PIPE	1	01/10/2016			
14	93510281C	PIPE	1	05/11/2016			
15	87611452A	PIPE	1	27/03/2017		PLT:DB10	
16	77244173B	SCREW	3	25/01/2017			
17	8301E231AA	PLATE	1	01/10/2016			
18	4601C581A	PROTECTION SHEATH	1	01/10/2016			
19	93510411A	HOSE	1	27/03/2017			
20	81416251A	UNION	1	28/02/2017			



SOS00846

DRAWING 21A - FRONT FORK [MOD:SS 939]

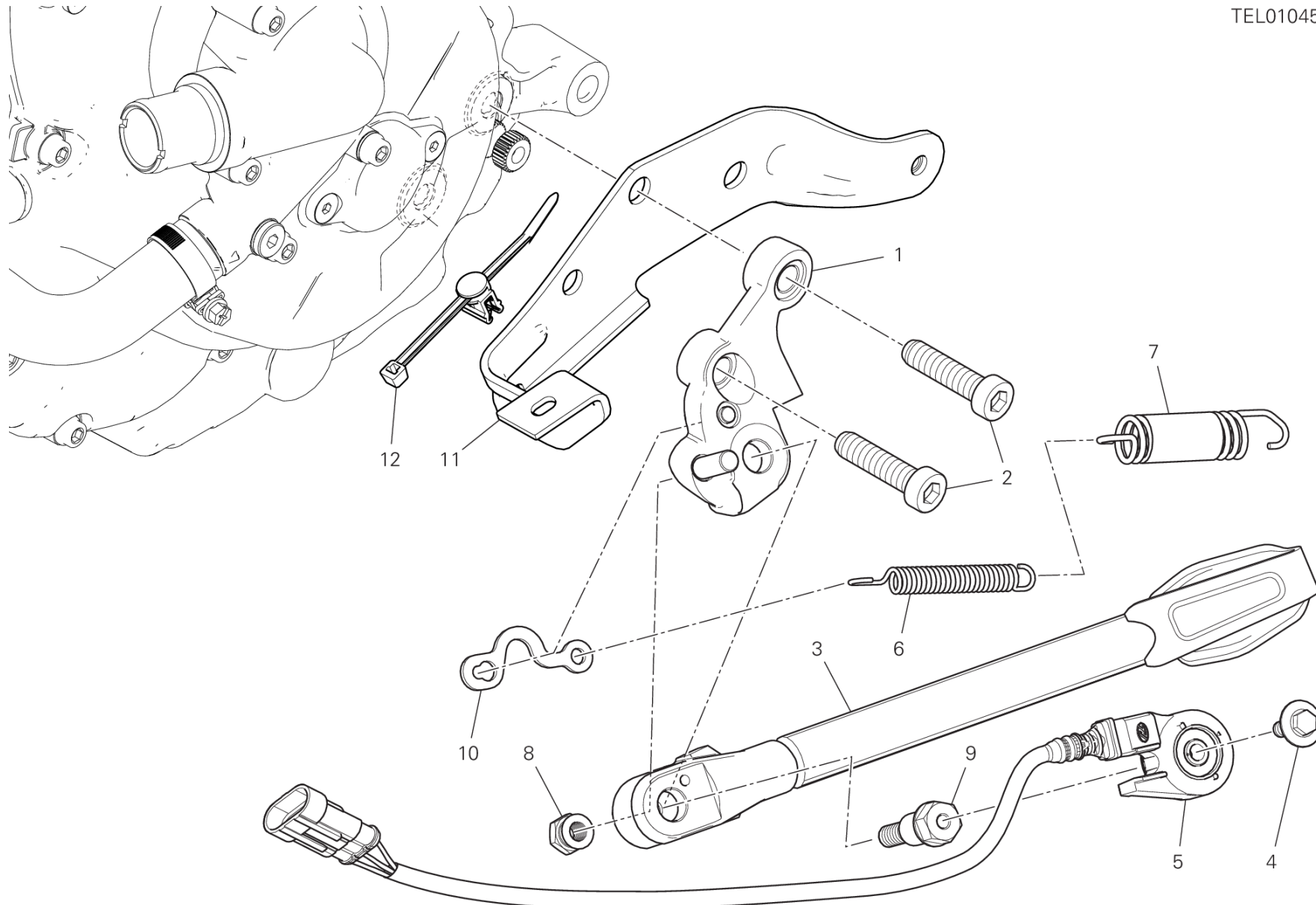
GROUP FRAME



POS.	CODE	DESCRIPTION	QTY	START DATE	END DATE	VALIDITY	NOTES
1	34420871A	FORK LEG ASSY, RIGHT	1	07/01/2016			
2	34520871A	FORK LEG ASSY, LEFT	1	07/01/2016			
3	34922251A	FORK BOTTOM END + SLEEVE UNIT (R.H.)	1	19/01/2017			
4	34922271A	COMPLETE PUMPING ELEMENT, RIGHT	1	19/01/2017			
5	34922311A	SPRING KIT	2	19/01/2017			
6	34922321A	STANCHION TUBE (Unit)	2	19/01/2017			
7	34922291A	SLEEVE PLUG RIGHT	1	19/01/2017			
8	34922341A	OVERHAUL KIT	1	19/01/2017			
9	34922261A	FORK BOTTOM END + SLEEVE UNIT (L.H.)	1	19/01/2017			
10	34922281A	COMPLETE PUMPING ELEMENT, LEFT	1	19/01/2017			
11	34922301A	SLEEVE PLUG LEFT	1	19/01/2017			
12	52910141B	REFLECTOR, ADHESIVE AMBER	2	10/10/2016			
13	77310021A	SCREW TCEIR M6X25	4	07/01/2016			



TEL01045



DRAWING 22A - SIDE STAND [MOD:SS 939]

GROUP FRAME



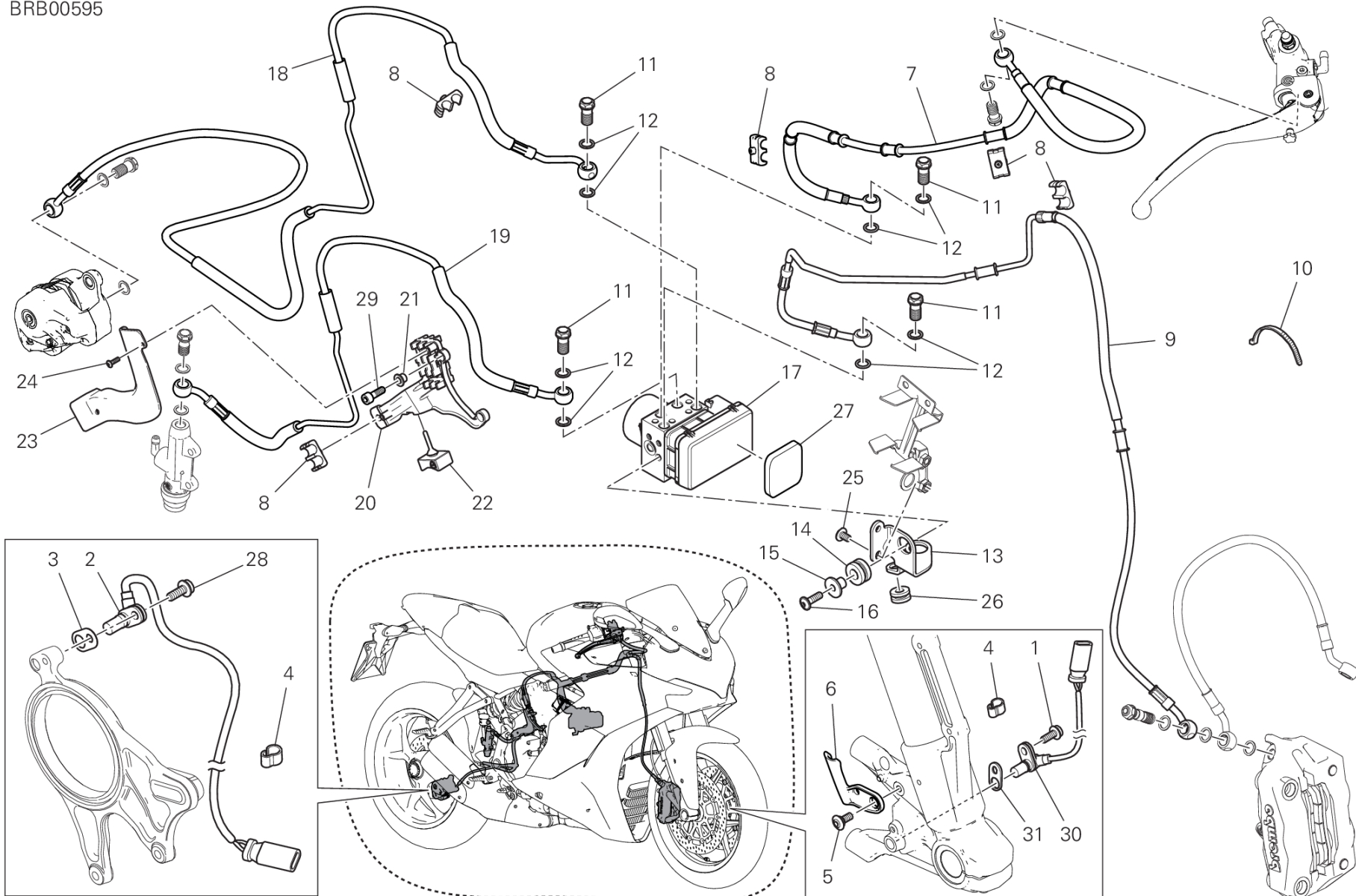
POS.	CODE	DESCRIPTION	QTY	START DATE	END DATE	VALIDITY	NOTES
1	55610791C	BRACKET, SIDE STAND	1	02/10/2013			
2	77355203C	SCREW M10x35	3	16/03/2015			
3	55610991BA	SIDE STAND	1	17/11/2016			
4	77917241AA	SCREW	1	05/05/2014			
5	53910341A	SWITCH ASSY, SIDE STAND	1	10/01/2014			
6	79910891C	INNER SPRING	1	02/10/2013			
7	79920881C	COMPLETE SPRING	1	02/10/2013			
8	75010481A	NUT	1	02/10/2013			
9	82119311AA	AXLE, SIDE STAND	1	02/10/2013			
10	82717631AA	PLATE	1	01/08/2014			
11	8301F101AA	BRACKET	1	06/06/2016			
12	75840771A	FAIRLEAD	1	06/06/2016			



DRAWING 24A - ANTILOCK BRAKING SYSTEM (ABS) [MOD:SS 939]

GROUP FRAME

BRB00595



DRAWING 24A - ANTILOCK BRAKING SYSTEM (ABS) [MOD:SS 939]

GROUP FRAME



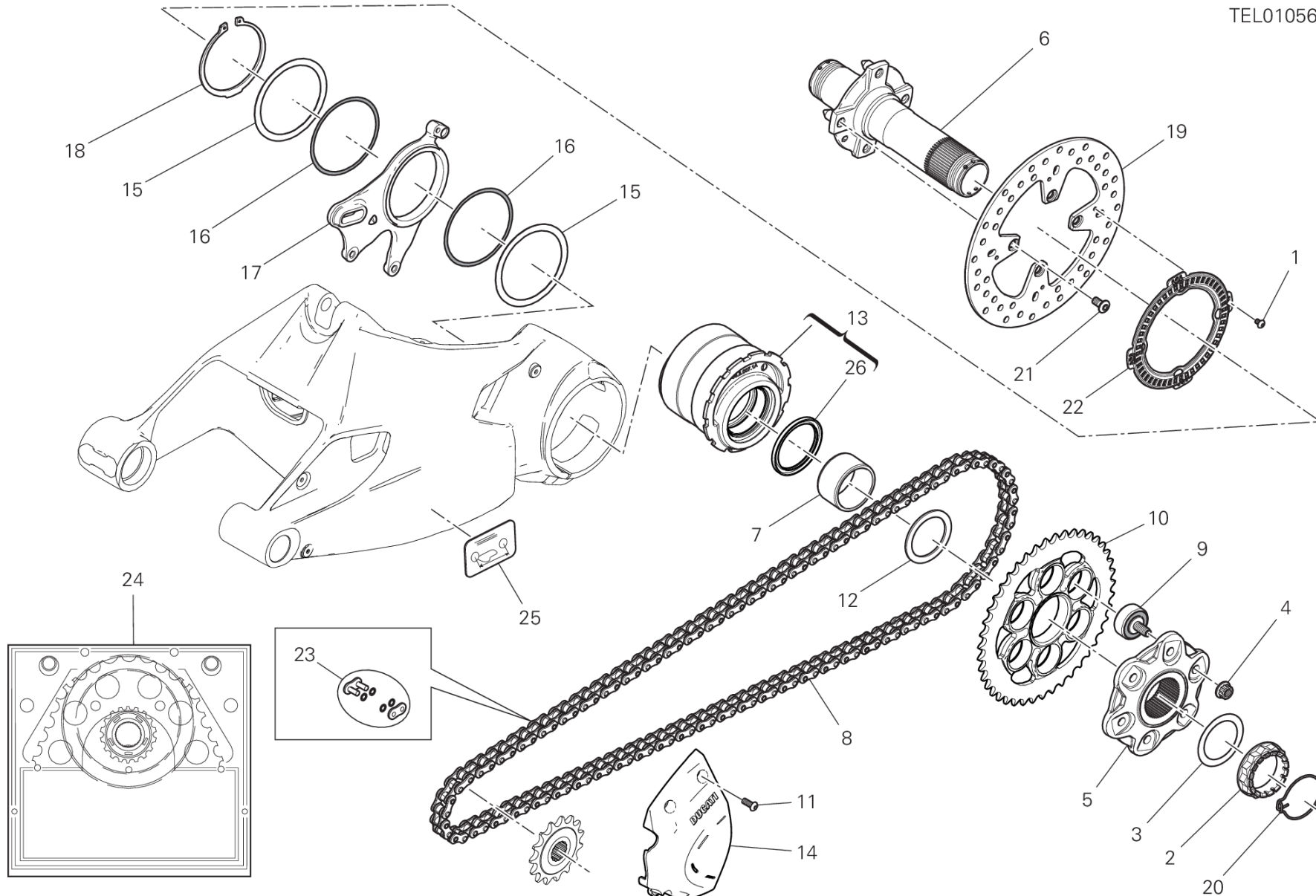
POS.	CODE	DESCRIPTION	QTY	START DATE	END DATE	VALIDITY	NOTES
1	77110401B	SCREW	1	22/10/2013			
2	55212111B	SENSOR, SPEED	1	22/10/2013			
3	7131C641A	GASKET 0.2 MM	1	22/10/2013			
	7131C651A	GASKET 0.5 MM	1	22/10/2013			
4	75840601A	FAIRLEAD	10	22/10/2013			
5	77211221A	SCREW	2	01/05/2016			
6	75810911A	FAIRLEAD	1	01/05/2016			
7	61810961C	FRONT MASTER CYLINDER - CPU LINE	1	06/02/2017			
8	86611121A	RUBBER PAD	5	22/10/2013			
9	61811021B	CPU - FRONT CALIPERS LINE	1	27/03/2017			
10	74140381A	CLAMP	14	10/03/2016			
11	77913662AB	BOLT, BRAKE HOSE	4	20/09/2013			
12	85250241A	WASHER 10X14X1	8	20/09/2013			
13	83018181AA	BRACKET	1	22/10/2013			
14	76410641A	VIBRATION DAMPER PAD	2	22/10/2013			
15	71610031A	SPACER	2	22/10/2013			
16	77240443C	SCREW	2	22/10/2013			
17	54240661B	CONTROL UNIT ABS	1	19/01/2017			
18	61910871B	CPU - REAR CALIPER LINE	1	14/10/2016			
19	61910481C	REAR MASTER CYLINDER - CPU LINE	1	14/10/2016			
20	83018341B	BRACKET, BRAKE HOSE	1	22/10/2013			
21	71614581AA	SPACER	2	22/10/2013			
22	76411711A	RUBBER PAD	1	22/10/2013			
23	8291G381A	COVER	1	25/01/2017			
24	77440111A	SCREW	2	22/10/2013			
25	77211021A	SCREW TBEIF M6X10	2	22/10/2013			
26	76411141A	VIBRATION DAMPER PAD	1	22/10/2013			
27	86611861A	PAD	1				
28	77210601A	SCREW TEF M6X16	1	23/05/2016			
29	77150693BD	SCREW	2	25/01/2017			
30	55212121B	SENSOR, SPEED	1	07/01/2016			
31	71314901A	GASKET TH.02	3	10/04/2017			
	71319201A	GASKET 0.5 MM	4	10/04/2017			



DRAWING 26A - REAR WHEEL SPINDLE [MOD:SS 939]

GROUP FRAME

TEL01056



DRAWING 26A - REAR WHEEL SPINDLE [MOD:SS 939]

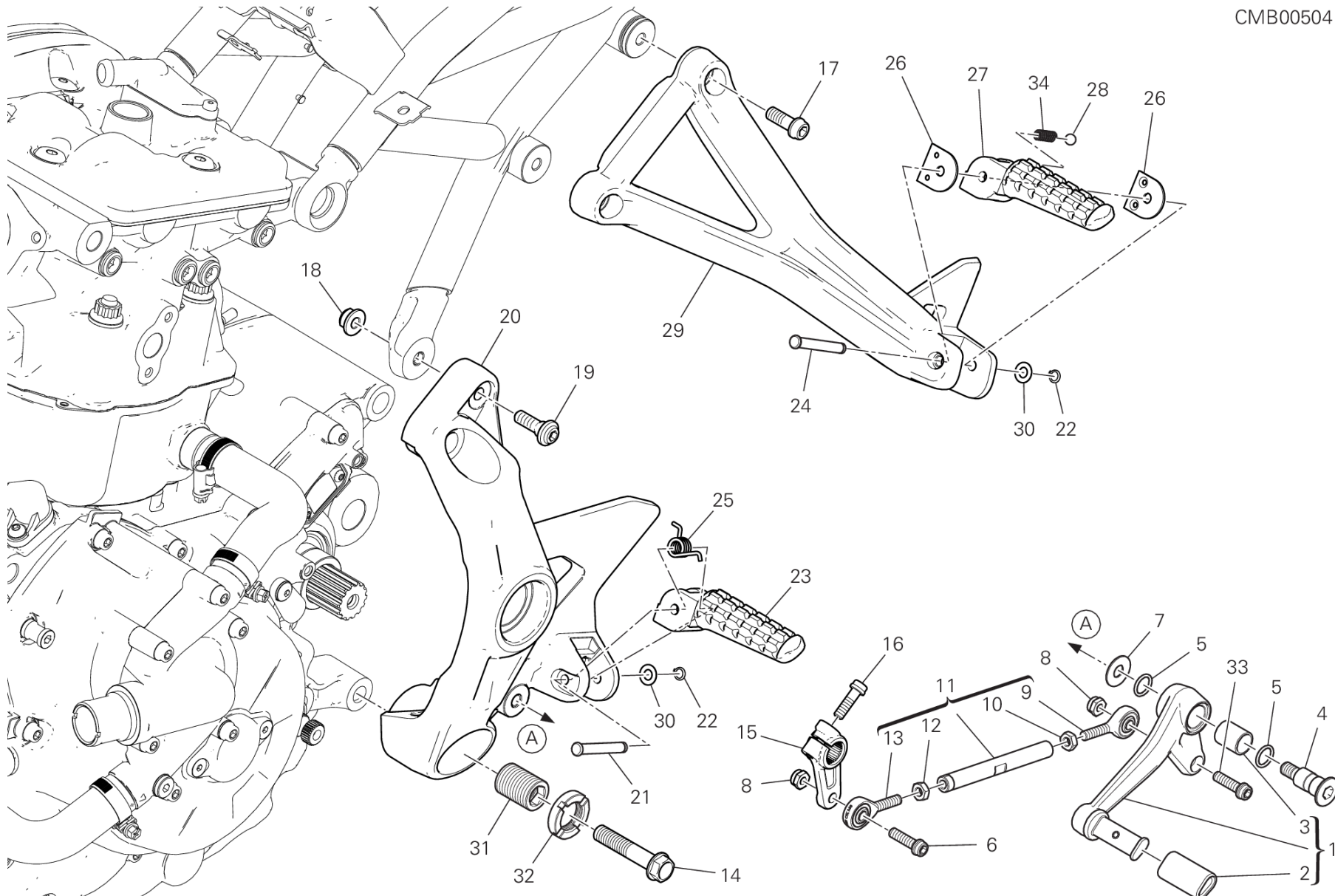
GROUP FRAME



POS.	CODE	DESCRIPTION	QTY	START DATE	END DATE	VALIDITY	NOTES
1	72050159EA	SCREW	4	22/10/2013			
2	75012072AA	NUT	2	23/05/2016			
3	85212211A	WASHER 48.5X65X0.5	1				
4	74810461A	NUT, FLANGE M10X1	6				
5	16014201A	REAR SPROCKET FLANGE	1				
6	81920021A	REAR WHEEL SPINDLE	1				
7	88110541A	INNER SPACER	1				
8	67640961A	CHAIN 105+1	1	23/05/2016			
9	70010571A	RUBBER CUSH DRIVE HUB M10x1	6	01/05/2016			
10	49411852AA	REAR SPROCKET T43	1	03/11/2016			
11	77550213C	SCREW TBEI M6X16	3	22/10/2013			
12	71410751A	SPACER	1				
13	75620131A	HUB	1				
14	4601E561A	CHAIN PINION COVER	1	23/05/2016			
15	85212171A	WASHER 85.5X101X1	2				
16	88641241A	O-RING 89.5X3	2				
17	82510591AA	BRACKET, REAR CALIPER	1	01/05/2016			
18	88440511A	CIRCLIP 85X3	1				
19	49210061A	REAR BRAKE DISC	1			PLT:DB10	
20	75910222A	CLIP	1				
21	77918261AA	SCREW	4	22/10/2013			
22	50410071A	REAR PHONIC WHEEL	1	22/10/2013			
23	67740201A	CHAIN LINK	1	01/08/2013			
24	67621051A	FINAL DRIVE KIT	1				
25	43314541A	CHAIN ADJUSTMENT STICKER	1	03/02/2017		XST:AUS,EUR,TWN	
	43314541B	CHAIN ADJUSTMENT STICKER	1	03/02/2017		XST:JAP	JAP
26	93010102A	DUST COVER	1				



CMB00504

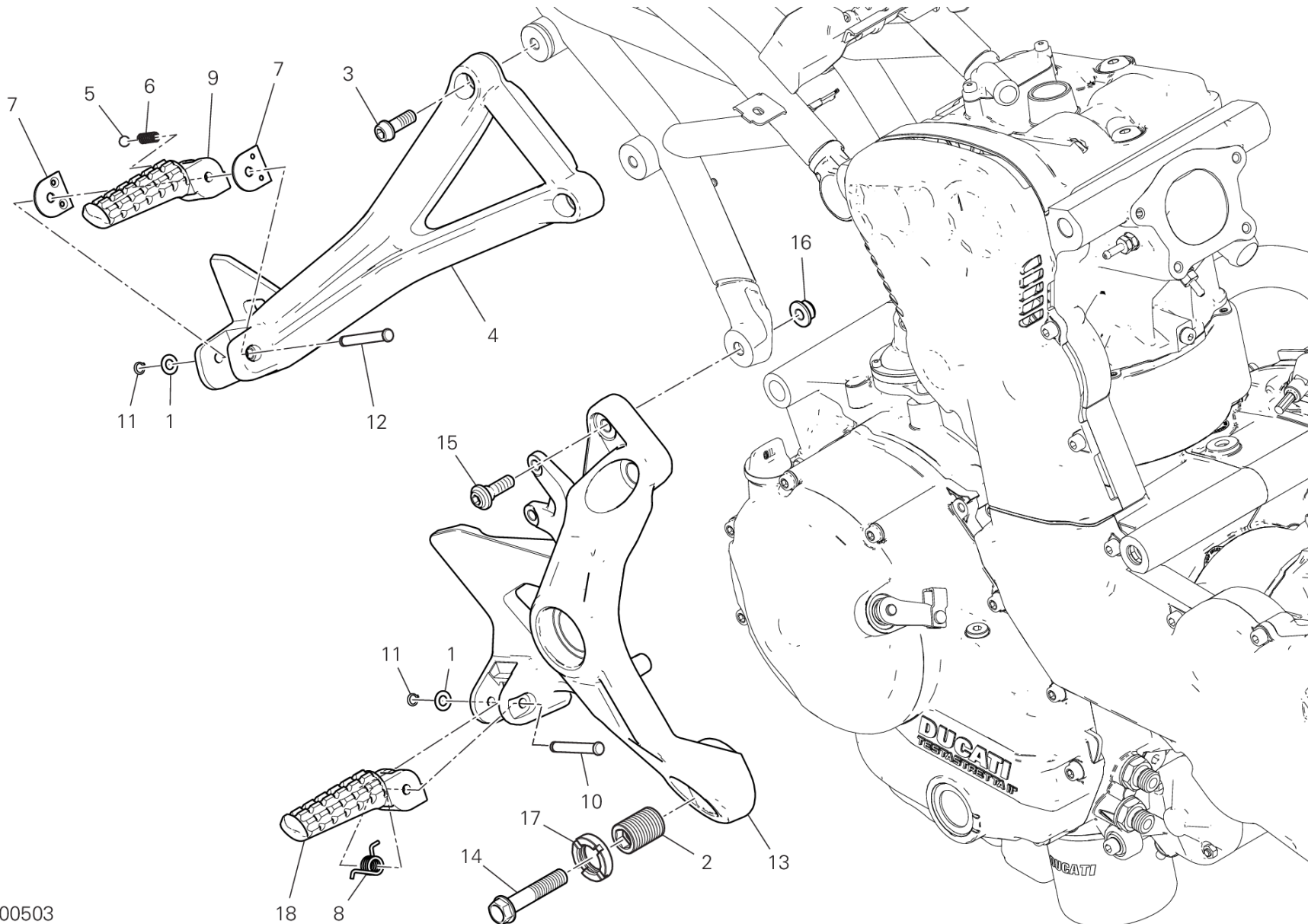


DRAWING 27A - FOOTRESTS, LEFT [MOD:SS 939]

GROUP FRAME



POS.	CODE	DESCRIPTION	QTY	START DATE	END DATE	VALIDITY	NOTES
1	45622351AA	GEARCHANGE LEVER (Unit)	1	10/10/2016			
2	76414221A	COVER PEDAL	1				
3	71210341A	BUSH	1	01/03/2013			
4	82111701CA	PIN PEDAL	1	14/10/2013			
5	88641161A	O-RING	2	14/10/2013			
6	77156688B	SCREW TCEIF M6X22X18	1	14/10/2013			
7	85210532A	WASHER 8.2X20X1	1	14/10/2013			
8	74940041A	NUT, SELF-LOCKING M6	1	14/10/2013			
9	84850021A	BALL JOINT, RIGHT	1	14/10/2013			
10	74750101A	NUT 6MM	1	14/10/2013			
11	11721443AA	GEARBOX DRIVING ROD (Unit)	1	14/10/2013			
12	74750011AB	NUT, LEFT THREAD M6	1	14/10/2013			
13	84850011A	BALL JOINT, LEFT	1	14/10/2013			
14	77253988C	SCREW	1	22/10/2013			
15	45610461AA	GEAR CONTROL LEVER	1	10/10/2016			
16	77110191A	SCREW TCEIF M6X20	2	05/05/2014			
17	77157248CA	SCREW	2				
18	74940321A	NUT M8	1	01/06/2016			
19	77214401AA	SCREW, SPECIAL	1	10/03/2016			
20	82413273BA	FRONT L.H. PLATE	1	02/11/2016			
21	82115721AA	FOOTREST PIN	1	27/01/2017			
22	88450441A	CIRCLIP	2	18/11/2014			
23	46410461A	FOOTREST, FRONT LH	1	13/06/2016			
24	82115101AA	FOOTREST PIN	1	23/05/2016			
25	79914991A	SPRING. FOOTREST	1	23/05/2016			
26	82711611B	PLATE	2	23/05/2016			
27	46510611A	REAR LEFT FOOT-REST	1	23/05/2016			
28	84740021A	BALL	1	14/10/2013			
29	82413251AA	REAR L.H. PLATE	1	23/05/2016			
30	85213661AA	WASHER	2	18/10/2016			
31	77916411A	THREADED DOWEL	1	18/10/2016			
32	70310512AA	RING NUT	1	10/10/2016			
33	77156698B	SCREW TCEIF M6X25	1	10/10/2016			
34	79910241A	SPRING	1	25/01/2017			



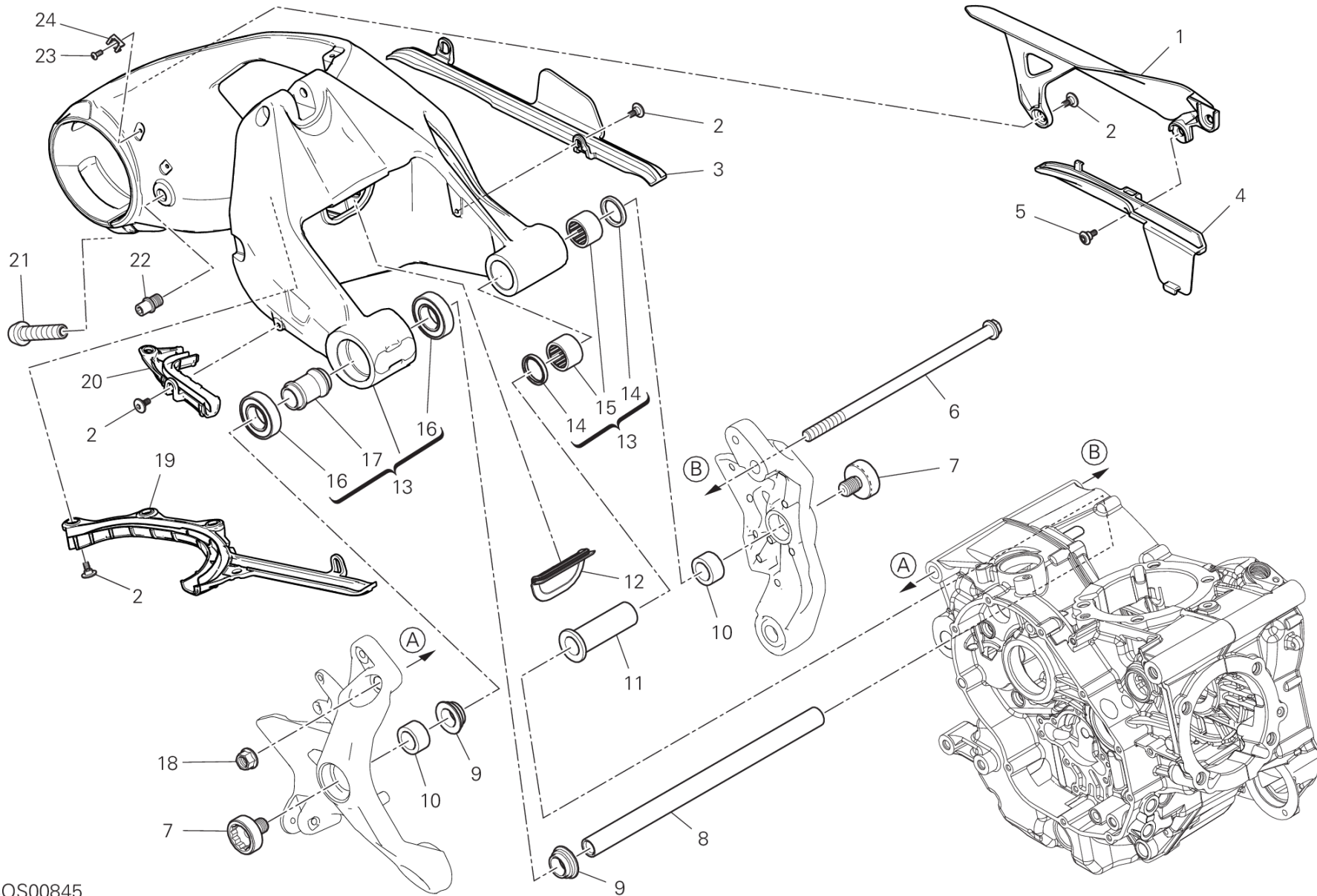
CMB00503

DRAWING 27B - FOOTRESTS, RIGHT [MOD:SS 939]

GROUP FRAME



POS.	CODE	DESCRIPTION	QTY	START DATE	END DATE	VALIDITY	NOTES
1	85213661AA	WASHER	2	10/10/2016			
2	77916411A	THREADED DOWEL	1	18/10/2016			
3	77157248C	SCREW TCEIF M8X22	2	16/10/2015			
4	82413241AA	REAR R.H. PLATE	1	23/05/2016			
5	84740021A	BALL	1	14/10/2013			
6	79910241A	SPRING	1	11/10/2016			
7	82711611B	PLATE	2	23/05/2016			
8	79914991A	SPRING. FOOTREST	1	18/10/2016			
9	46510601A	REAR RIGHT FOOTREST	1	23/05/2016			
10	82115721AA	FOOTREST PIN	1	27/01/2017			
11	88450441A	CIRCLIP	2	18/11/2014			
12	82115101AA	FOOTREST PIN	1	30/08/2016			
13	82413263BA	FRONT R.H. PLATE	1	03/10/2016			
14	77253988C	SCREW	1	22/10/2013			
15	77214401AA	SCREW, SPECIAL	2	10/03/2016			
16	74940321A	NUT M8	1	01/06/2016			
17	70310512AA	RING NUT	1	10/10/2016			
18	46410451A	FOOTREST, FRONT RH	1	13/06/2016			



SOS00845

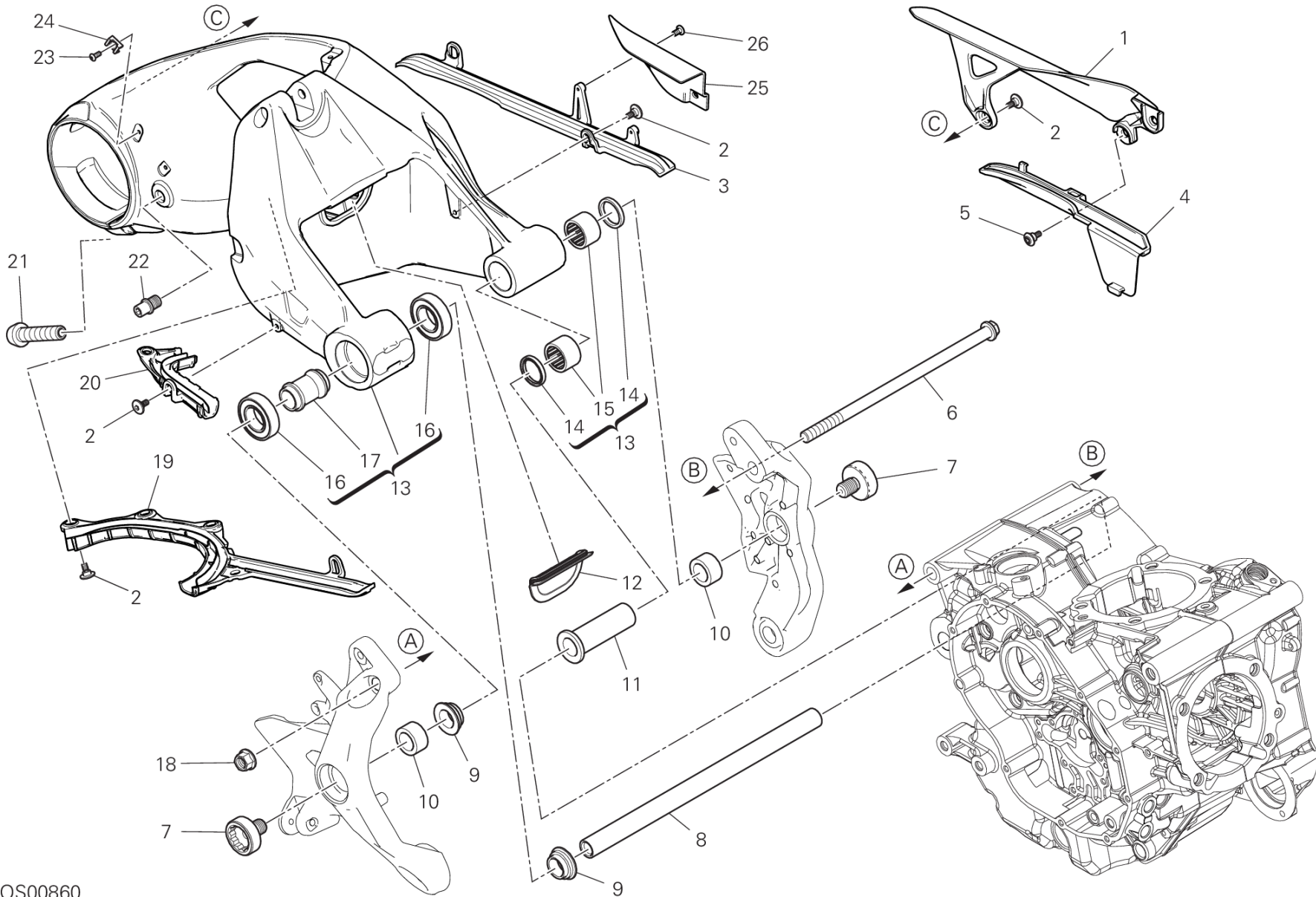


POS.	CODE	DESCRIPTION	QTY	START DATE	END DATE	VALIDITY	NOTES
1	44610351A	CHAIN GUARD	1	03/11/2016			
2	77914871C	SCREW	9	01/08/2013			
3	44711651B	LOWER CHAIN SLIDING SHOE	1	03/11/2016			
4	44711661A	UPPER CHAIN SLIDING SHOE	1	03/11/2016			
5	77210842A	SCREW TCEI M5X8.5	2	01/08/2013			
6	77918431AA	SCREW, SPECIAL	1	16/03/2015			
7	77918421AB	SCREW, SPECIAL	2	22/10/2013			
8	36911341AA	AXLE, REAR SWING ARM	1	22/10/2013			
9	71210301A	RIGHT SPACER	2	22/10/2013			
10	71210491AA	SPACER	2	22/10/2013			
11	71011891A	BUSHING	1	01/08/2013			
12	87210751A	CAP, SWINGARM COVER	1	01/08/2013			
13	37021961CB	COMPLETE SWINGARM	1	01/05/2016			
14	93050121A	SEAL RING	2	01/08/2013			
15	70140171A	BEARING, NEEDLE	2	01/08/2013			
16	70250451A	BEARING	2	01/08/2013			
17	7131A211AA	INNER SPACER	1	01/08/2013			
18	74841011AA	NUT, FLANGE	1	05/05/2014			
19	44711671B	CHAIN SLIDER	1	03/11/2016			
20	8301E361A	GUIDE, HOSE	1	10/03/2016			
21	77918251AA	SCREW, SPECIAL	1	01/08/2013			
22	83210031E	PIN	1	01/08/2013			
23	77550221A	SCREW TBEI M4X10	2	22/10/2013			
24	85041711A	HOSE GUIDE	2	23/10/2013			



DRAWING 28A - FORCELLONE POSTERIORE [MOD:SS 939;XST:AUS]

GROUP FRAME



SOS00860

DRAWING 28A - FORCELLONE POSTERIORE [MOD:SS 939;XST:AUS]

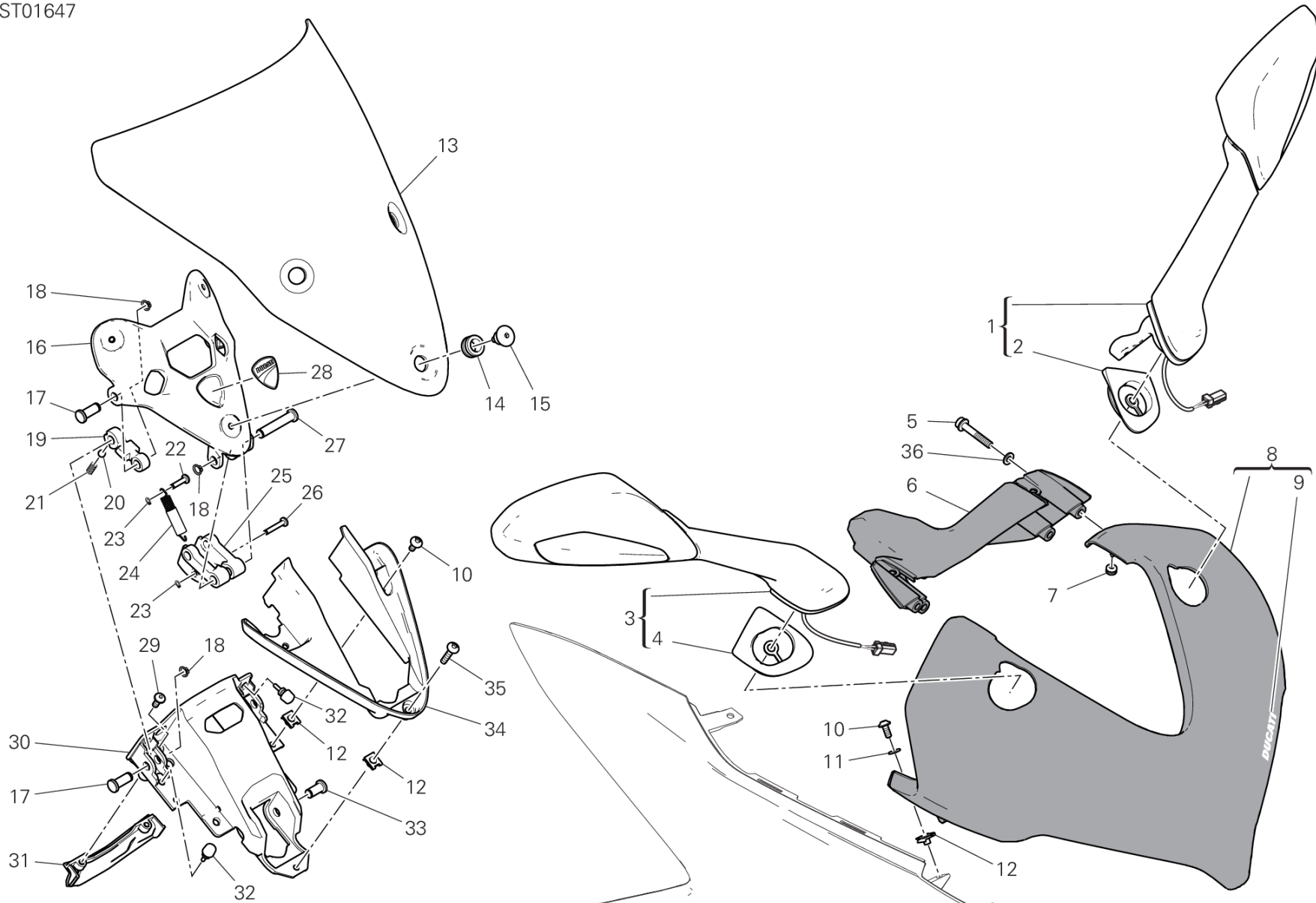
GROUP FRAME



POS.	CODE	DESCRIPTION	QTY	START DATE	END DATE	VALIDITY	NOTES
1	44610351A	CHAIN GUARD	1	03/11/2016			
2	77914871C	SCREW	9	01/08/2013			
3	44711681B	LOWER CHAIN SLIDING SHOE	1	02/02/2017			
4	44711661A	UPPER CHAIN SLIDING SHOE	1	03/11/2016			
5	77210842A	SCREW TCEI M5X8.5	2	01/08/2013			
6	77918431AA	SCREW, SPECIAL	1	16/03/2015			
7	77918421AB	SCREW, SPECIAL	2	22/10/2013			
8	36911341AA	AXLE, REAR SWING ARM	1	22/10/2013			
9	71210301A	RIGHT SPACER	2	22/10/2013			
10	71210491AA	SPACER	2	22/10/2013			
11	71011891A	BUSHING	1	01/08/2013			
12	87210751A	CAP, SWINGARM COVER	1	01/08/2013			
13	37021961CB	COMPLETE SWINGARM	1	01/05/2016			
14	93050121A	SEAL RING	2	01/08/2013			
15	70140171A	BEARING, NEEDLE	2	01/08/2013			
16	70250451A	BEARING	2	01/08/2013			
17	7131A211AA	INNER SPACER	1	01/08/2013			
18	74841011AA	NUT, FLANGE	1	05/05/2014			
19	44711671B	CHAIN SLIDER	1	03/11/2016			
20	8301E361A	GUIDE, HOSE	1	10/03/2016			
21	77918251AA	SCREW, SPECIAL	1	01/08/2013			
22	83210031E	PIN	1	01/08/2013			
23	77550221A	SCREW TBEI M4X10	2	22/10/2013			
24	85041711A	HOSE GUIDE	2	23/10/2013			
25	44711691A	GUARD	1	02/02/2017			
26	77440391A	SCREW	2	02/02/2017			



VST01647



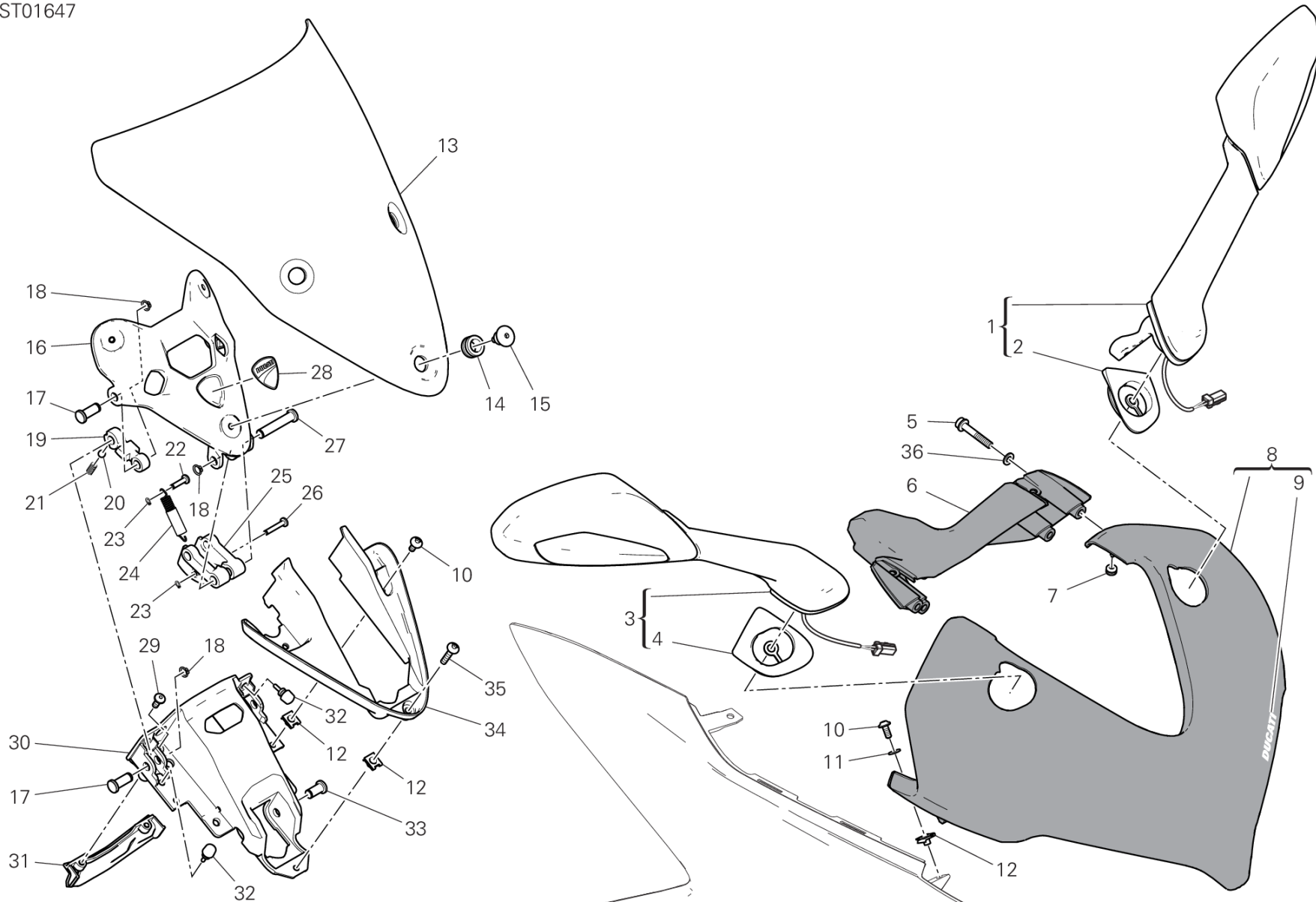
DRAWING 34A - COWLING [MOD:SS 939]

GROUP FRAME



POS.	CODE	DESCRIPTION	QTY	START DATE	END DATE	VALIDITY	NOTES
1	523S0612A	REAR-VIEW MIRROR L.H.	1	10/04/2017			
2	78811661A	GASKET, MIRROR LH	1	14/07/2016			
3	523S0602A	REAR-VIEW MIRROR R.H.	1	10/04/2017			
4	78811651A	GASKET, MIRROR RH	1	14/07/2016			
5	77140723C	SCREW TCEIF M6X35 10.9	4	25/01/2017			
6	48018771AB	PROTECTION CENTRE RED	1	26/01/2017		XCO:R	
7	76440561A	RUBBER PAD	2	25/01/2017			
8	48113931AB	COWLING RED	1	25/01/2017		XCO:R	
9	4381A911A	STICKER DUCATI	1	18/10/2016		XCO:R	
10	77244173B	SCREW	6	25/01/2017			
11	85611401A	WASHER	4	25/01/2017			
12	85040471A	QUICK FASTENING M5	7	19/01/2017			
13	48710972A	WINDSHIELD	1	25/01/2017			
14	75840621A	RUBBER PAD	3	25/01/2017			
15	77918092AA	SCREW, SPECIAL	3	25/01/2017			
16	8291G121A	STAY, WINDSHIELD UPPER	1	19/01/2017			
17	82118291AA	PIN	4	19/01/2017			
18	88450851A	SPRING RING	7	19/01/2017			
19	8291G131A	LEVER UPPER	2	19/01/2017			
20	84740021A	BALL	2	19/01/2017			
21	79910241B	SPRING	2	19/01/2017			
22	82118321BA	PIN	1	19/01/2017			
23	88450881A	SPRING RING	2	19/01/2017			
24	79925643AB	SPRING	1	19/01/2017			
25	8291G141A	LEVER LOWER	1	19/01/2017			
26	82118331AA	PIN	1	19/01/2017			
27	82118311AA	BOLT, PIVOT	1	19/01/2017			
28	43819301A	STICKER DUCATI	1	25/01/2017			
29	77440171A	SCREW	2	19/01/2017			
30	8291G161B	STAY, WINDSHIELD LOWER	1	19/01/2017			
31	48018741A	PANEL	1	19/01/2017			
32	86610581A	VIBRATION DAMPER PAD	4	19/01/2017			
33	82118301AA	PIN	2	19/01/2017			
34	8291G152A	GUARD	1	25/01/2017			
35	77244203B	SCREW	1	25/01/2017			

VST01647





POS.	CODE	DESCRIPTION	QTY	START DATE	END DATE	VALIDITY	NOTES
36	85310031A	SPRING WASHER 6 MM	4	25/01/2017			



CODE	NO. TABLE	POS.	CODE	NO. TABLE	POS.	CODE	NO. TABLE	POS.	CODE	NO. TABLE	POS.
027291090	002	8	15820234A	006	5	22523381C	010	1	34111451AA	021	11
040009050	002	21	16010941A	013	10	24221491BD	011	13	34220951AB	021	21
040029126	002	17	16014201A	26A	5	24321513AB	005	1	34420871A	21A	1
061950065	012	17	16024341A	032	1	24511351A	008	1	34520871A	21A	2
066013143	002	9	16024341A	032	1	24511431A	008	2	34922251A	21A	3
066549680	005	8	160Z0041A	012	13	24521071A	008	21	34922261A	21A	9
067016145	003	7	17021361A	006	6	24612162A	029	16	34922271A	21A	4
067016155	003	19	17122271A	008	13	24713571AE	011	23	34922281A	21A	10
069191030	18B	12	17210021B	003	10	24714141AC	013	5	34922291A	21A	7
11210121AA	006	8	17210081C	003	22	24714151AC	013	6	34922301A	21A	11
11210121AB	006	8	17210103C	003	20	24714171A	013	24	34922311A	21A	5
11210121AC	006	8	17210113C	003	23	24714612A	010	7	34922321A	21A	6
11210121AD	006	8	17212182A	003	18	24714891A	013	25	34922341A	21A	8
11210121AE	006	8	17212192A	003	24	24724481AF	011	31	36015502AA	021	18
11210791AA	10A	10	17214591A	003	8	25120131A	011	29	36015512AA	021	17
11210791AB	10A	10	17214601A	003	5	25440013A	005	4	36140161A	021	6
11210791AC	10A	10	17214611A	003	9	25510104B	008	18	36521542A	028	4
11210791AD	10A	10	17214621A	003	21	25510193A	013	7	36911341AA	28A	8
11210791AE	10A	10	17310291A	012	14	26420461B	011	1	36911341AA	28A	8
11721443AA	27A	11	17410621B	009	1	27040104A	012	1	37021961CB	28A	13
11723531AA	025	15	17420591A	010	4	27610901A	012	16	37021961CB	28A	13
12022612EC	007	5	176Z0021A	012	10	28040411A	017	24	38010151A	022	15
12022622EC	007	10	18020401A	002	6	28240932A	017	26	38510721C	027	11
12110781B	007	3	180Z0031A	002	11	28620441A	01B	6	38640591A	027	21
12110791A	007	2	180Z0041A	002	12	28642811A	18A	14	38940191A	18B	5
12120681A	007	4	18220651A	002	18	28642811F	18A	14	38940201A	18B	5
12222261E	007	1	18410051A	025	14	28642811H	18A	14	38940211A	18B	5
13510471A	017	20	18710021A	024	2	28642991A	18A	14	38940221A	18B	5
14010761C	017	1	19020232A	004	9	30124141AC	015	22	38940231A	018	14
14622164AA	006	1	19410511A	004	4	30124151AC	014	22	38940241A	18B	5
14622164AB	006	1	19610542C	004	11	30310631BB	014	7	38940261A	18B	5
14622164AC	006	1	19610681A	004	12	30310631BB	015	7	39040201A	020	13
14710811A	008	3	19820441A	004	14	30310631BC	014	7	39040211A	28B	13
14710951B	010	3	20810321A	014	3	30310631BC	015	7	39040211A	28B	13
14720921D	005	20	20810321A	015	3	30310631BD	014	7	39740081B	018	15
14824222A	013	15	20910491A	014	16	30310631BD	015	7	40611285D	020	1
14824232A	013	11	20910491A	015	16	30411001AB	014	13	40611423D	020	1
14824242A	013	14	20910501A	014	4	30411001AB	015	13	42020008A	025	27
14824252A	013	18	20910501A	015	4	30411001AC	014	13	42610191A	029	17
14911101A	003	2	21010991A	014	14	30411001AC	015	13	42640041B	035	9
14911111B	003	25	21010991A	015	14	30411011AB	014	10	43217911Z	032	33
15021821A	003	26	21110991A	014	5	30411011AB	015	10	43314541A	26A	25
15021831B	003	16	21110991A	015	5	30411011AC	014	10	43314541B	26A	25
15310072B	021	2	22032083A	010	5	30411011AC	015	10	43713351A	034	30



CODE	NO. TABLE	POS.	CODE	NO. TABLE	POS.	CODE	NO. TABLE	POS.	CODE	NO. TABLE	POS.
43713361A	034	31	4601F171B	018	30	49140951A	C	2	54140101A	18B	7
43814741A	034	2	4601F302B	019	47	49141271A	A	6	54240661B	24A	17
43818951A	033	11	4601F312B	019	48	49141271A	D	2	54841033A	030	5
43818961A	033	9	4601F321A	019	42	49141291A	A	8	54841101B	016	2
43818971A	032	4	4601F331A	019	49	49141291A	E	2	54911311B	016	3
43818971A	032	4	4601G411A	019	54	491P0070A	A	2	54911321B	016	4
43819301A	34A	28	46240461A	18A	16	491P0070A	B	2	55040271A	030	4
4381A881A	034	8	46320222A	010	10	49210061A	26A	19	55040281A	030	1
4381A911A	34A	9	46320537A	003	14	49241011A	026	3	55212111B	24A	2
44212781B	029	11	46410451A	27B	18	49411852AA	26A	10	55212121B	24A	30
44212792D	029	13	46410461A	27A	23	49720031A	026	19	55214011A	019	28
44440035A	009	7	46510601A	27B	9	49720071AB	026	16	55214911A	002	24
44610351A	28A	1	46510611A	27A	27	50121783AE	026	10	55240121A	020	19
44610351A	28A	1	47018001CA	022	2	50211941AA	026	7	55240121A	18A	8
44711651B	28A	3	47018022CA	027	7	50410051A	026	12	55241321C	10A	14
44711661A	28A	4	47018091AA	022	2	50410071A	26A	22	55241441A	017	18
44711661A	28A	4	48018741A	34A	31	51019722A	18B	4	55243442A	031	6
44711671B	28A	19	48018752A	034	19	5101B191D	18B	1	55243521A	011	3
44711671B	28A	19	48018762A	034	21	5101C161B	18B	3	55340041A	031	13
44711681B	28A	3	48018771AB	34A	6	5101C171A	017	25	55610791C	22A	1
44711691A	28A	25	48018821BB	034	9	51310722A	018	13	55610991BA	22A	3
44910681A	003	12	48018831BB	034	10	51410792A	018	16	56113381AA	28B	24
45110462A	013	26	48018841BB	034	7	51410802A	018	17	56113392A	28B	10
45110491A	013	27	48018851BB	034	6	51610051B	030	19	56113392A	28B	10
45120122A	008	9	48019281A	034	32	52010401B	020	12	56113432A	28B	6
45120241A	008	4	48113931AB	34A	8	523S0602A	34A	3	56113432A	28B	6
45520181A	010	8	48212331A	022	20	523S0612A	34A	1	56113442A	28B	3
45610461AA	27A	15	48212341A	022	18	52510483B	027	1	56113442A	28B	3
45622351AA	27A	1	48216772AA	033	8	52510611A	28B	12	564P6482AA	034	1
45720571AA	025	20	48216782AA	033	10	52510611A	28B	12	56511111A	028	1
4601C581A	035	18	48411431B	034	11	52910141B	21A	12	57014771A	019	27
4601D781B	28B	23	48611061A	005	22	52910231A	28B	20	57114801B	019	35
4601D913A	027	29	48611101C	032	2	52910231A	28B	20	57314381A	019	2
4601E262A	021	31	48611101C	032	2	53010226A	28B	17	57314392A	019	1
4601E302A	019	29	48710972A	34A	13	53010226A	28B	17	57610671A	019	14
4601E461A	021	27	49040692A	A	7	53010236A	28B	14	58511032A	031	22
4601E471A	019	9	49040692A	E	1	53010236A	28B	14	58540011A	025	6
4601E561A	26A	14	49040711A	A	3	53910341A	22A	5	58540221A	024	15
4601E871A	019	3	49040711A	C	1	53940031C	025	26	58612531BA	032	3
4601E881A	019	4	49040901A	A	5	53940302A	016	1	58612531BA	032	3
4601F041A	019	20	49040901A	D	1	53940811A	023	9	59014101A	017	31
4601F052A	019	21	490P0272A	A	1	53940871A	023	8	59014111A	017	17
4601F081AA	019	40	490P0272A	B	1	53940881A	024	26	59014471A	029	20
4601F111A	033	13	49140951A	A	4	54040301B	018	2	59017821B	032	19



CODE	NO. TABLE	POS.	CODE	NO. TABLE	POS.	CODE	NO. TABLE	POS.	CODE	NO. TABLE	POS.
59017821B	032	19	65010241C	021	7	70250451A	28A	16	71319201A	24A	31
59018471A	032	28	65010251C	021	7	70250451A	28A	16	71319951A	003	1
59018471A	032	28	65110241C	021	19	70250601A	004	10	7131A211AA	28A	17
59024071A	017	22	65240231A	021	33	70250621A	026	8	7131A211AA	28A	17
59210251B	032	5	65540091A	029	8	70310481A	029	15	7131C641A	24A	3
59210251B	032	5	65540101A	035	12	70310512AA	27A	32	7131C651A	24A	3
59310601B	010	11	66020093B	021	5	70310512AA	27B	17	71410751A	26A	12
59310801B	010	59	66810482A	007	14	70310871AA	021	34	71411352AA	026	15
59320581B	010	9	66910011E	014	6	70350024A	013	2	71413241AA	026	9
59340301A	019	19	66910011E	015	6	70350062A	008	12	71610031A	24A	15
595P5952A	033	1	67040451A	022	6	70450091A	009	8	71610061A	018	9
59820572A	033	15	67110592B	022	9	70450091A	010	23	71610061A	18A	2
59821061A	032	18	67110601D	022	5	71011071A	021	3	71610213AA	019	18
59821061A	032	18	67621051A	26A	24	71011891A	28A	11	71610722A	008	20
59840183A	032	16	67640961A	26A	8	71011891A	28A	11	71611071A	019	45
59840183A	032	16	67740201A	26A	23	71110922A	011	21	71611071B	017	13
59840361A	032	25	68010131A	006	10	71110951A	010	6	71611071B	027	30
59840361A	032	25	68010131A	008	16	71111301A	021	4	71611281A	008	17
59940081A	033	16	68050061A	013	12	71111601A	005	13	71611521AB	021	28
61041292C	024	5	68050101A	010	17	71111601A	011	14	71611641AA	018	10
61041302C	024	8	69720291B	027	8	71112191A	007	12	71614091A	030	13
61140421A	025	1	69926751A	018	19	71113741A	013	19	71614111A	016	6
61240052A	024	1	69926951A	032	31	71210301A	28A	9	71614141A	019	12
61240081A	025	12	69926951A	032	31	71210301A	28A	9	71614251A	034	13
61240161A	025	29	70010362A	010	18	71210341A	025	21	71614431AA	020	17
61240391A	024	28	70010431A	18A	17	71210341A	27A	3	71614581AA	24A	21
61240511A	024	14	70010571A	26A	9	71210491AA	28A	10	71614811AA	022	22
61340951A	025	28	70010751A	035	8	71210491AA	28A	10	71614921AA	027	4
61341021A	024	13	70010811A	027	25	71310141E	003	11	71615071AA	018	29
61810961C	24A	7	70010901A	017	9	71311281B	011	27	71615071AA	029	21
61810981A	024	7	70140031A	012	15	71311961A	026	17	71615211AA	027	14
61811021B	24A	9	70140051A	003	4	71311973A	026	2	71615291AA	28B	5
61910481C	24A	19	70140171A	28A	15	71312661A	003	15	71615291AA	28B	5
61910871B	24A	18	70140171A	28A	15	71312921A	014	9	71615381AA	034	3
62441102A	024	11	70140431A	005	18	71312921A	015	9	71615391AA	032	6
62540201A	025	10	70140471A	012	11	71312921B	014	25	71615391AA	032	6
62610121A	024	27	70240091A	011	11	71312921B	015	26	71615461AA	019	37
62640561A	024	29	70240102A	011	9	71313091A	004	13	71615521AA	016	5
62640571A	024	12	70240131D	010	19	71314703A	28B	15	71850163C	027	27
62640971A	023	11	70240331A	010	20	71314703A	28B	15	72010513C	026	4
63140161A	025	30	70241231A	021	23	71314831B	004	6	72050069E	011	34
63140281A	024	30	70250081A	010	21	71314901A	24A	31	72050159EA	26A	1
63140541A	024	19	70250081A	011	4	71319151A	002	2	72050533CF	016	12
63640022A	023	3	70250193A	010	22	71319191A	012	9	720941616	010	24



CODE	NO. TABLE	POS.	CODE	NO. TABLE	POS.	CODE	NO. TABLE	POS.	CODE	NO. TABLE	POS.
73210582D	023	6	74750051B	025	13	75840771A	22A	12	76411881A	027	28
73210614A	019	16	74750071A	021	25	75840841A	018	1	76412061A	032	10
735001542	002	15	74750101A	27A	10	75840901A	28B	1	76412061A	032	10
735033380	010	26	74810241A	019	34	75840901A	28B	1	76412091A	027	6
735033380	011	17	74810351B	022	14	75910222A	026	5	76412101A	027	3
73740252A	008	5	74810461A	26A	4	75910222A	26A	20	76412371A	28B	2
74110101A	18B	14	74810501A	10A	4	75910251A	019	15	76412371A	28B	2
74110121A	027	2	74810651A	026	1	75910291A	033	2	76412421B	027	20
74110131A	029	22	74841011AA	28A	18	75910311A	027	9	76412441A	020	23
74110131A	18B	11	74841011AA	28A	18	764020002	003	17	76414191A	024	21
74110551A	18B	15	74841081A	023	7	76410011A	019	38	76414221A	27A	2
74113321A	008	22	74841091AA	017	12	76410241A	016	9	76414301A	022	29
74113331AA	005	6	74850061A	18A	15	76410241A	019	13	76440561A	34A	7
74113381A	019	5	74940041A	27A	8	76410241A	022	12	76440572A	014	8
74140381A	030	15	74940081A	008	7	76410241A	030	7	76440572A	015	8
74140381A	18B	13	74940321A	27A	18	76410241A	034	26	76610553B	10A	2
74140381A	24A	10	74940321A	27B	16	76410241A	18A	3	76640191A	014	21
74140431A	017	11	74941113B	031	7	76410291A	032	7	76640191A	015	21
74140431A	024	16	74950011B	28B	18	76410291A	032	7	768351134	002	10
74140431A	025	9	74950011B	28B	18	76410481A	016	10	77052508B	011	6
74140431A	031	18	75010071A	003	3	76410641A	018	8	77110191A	020	7
74140431A	032	20	75010071E	004	7	76410641A	24A	14	77110191A	27A	16
74140431A	032	20	75010121D	006	11	76410841B	016	22	77110391B	017	2
74140431A	035	3	75010481A	22A	8	76410841B	034	14	77110401B	017	32
74140651A	029	19	75011131A	006	13	76410901A	020	15	77110401B	24A	1
74140651A	035	11	75011391A	026	13	76410901A	032	8	77110441A	28B	16
74141711A	017	15	75011491AB	021	30	76410901A	032	8	77110441A	28B	16
74141711A	031	20	75011601A	008	15	76410901A	034	23	77110501A	021	32
74141711A	032	30	75011921A	024	18	76410971A	020	20	77110521A	012	7
74141711A	032	30	75012072AA	26A	2	76410981A	022	17	77113691A	021	13
74141711A	035	5	75040211A	027	17	76411061A	020	14	77113691C	025	7
74141871A	017	3	75050051A	012	3	76411141A	020	2	77113801A	008	6
74142121A	031	10	75620131A	26A	13	76411141A	24A	26	77113961A	011	20
74142181A	031	21	757941542	010	27	76411361A	020	16	77116671AA	031	25
74142371A	029	3	75810782A	18A	19	76411361A	030	11	77140667CF	012	5
74142381A	019	30	75810911A	24A	6	76411511A	016	11	77140697CF	012	6
74142401A	029	5	75811201A	021	12	76411511A	034	25	77140713C	005	5
74142501A	031	9	75811211B	019	24	76411521A	032	9	77140713C	011	15
74142581A	007	7	75840201A	016	7	76411521A	032	9	77140723C	011	19
74142581A	029	1	75840601A	24A	4	76411541A	034	28	77140723C	34A	5
74142581A	031	4	75840621A	34A	14	76411621A	029	12	77140813C	005	3
74142591A	031	15	75840641A	017	4	76411711A	24A	22	77140833C	005	2
74710151A	010	25	75840771A	016	8	76411851A	017	28	77140911A	023	10
74750011AB	27A	12	75840771A	017	6	76411881A	022	25	77150078B	010	12



CODE	NO. TABLE	POS.	CODE	NO. TABLE	POS.	CODE	NO. TABLE	POS.	CODE	NO. TABLE	POS.
77150408B	017	23	77210623B	031	1	77244173B	34A	10	77510471A	030	10
77150408B	019	26	77210841C	016	20	77244178B	027	31	77510541A	024	25
77150408B	032	21	77210841C	034	24	77244183B	020	18	77510651A	030	17
77150408B	032	21	77210842A	28A	5	77244198B	034	17	77540071A	023	13
77150413B	021	29	77210842A	28A	5	77244203B	034	12	77550200CC	005	23
77150457E	032	22	77210971A	030	12	77244203B	34A	35	77550211B	10A	7
77150457E	032	22	77211021A	24A	25	77244213B	032	12	77550213C	26A	11
77150653B	010	29	77211061A	18B	9	77244213B	032	12	77550221A	28A	23
77150658B	020	11	77211201A	004	3	77244233B	020	21	77550221A	28A	23
77150670ZF	002	3	77211221A	24A	5	77244403BA	034	4	77750493C	011	24
77150693B	023	12	77211341A	030	20	77244538BA	28B	7	77750508CC	012	18
77150693BD	24A	29	77214061AA	18A	1	77244538BA	28B	7	77850281A	021	26
77150723B	10A	11	77214351AA	022	11	77250341B	010	13	77910391A	010	33
77150758B	010	30	77214401AA	27A	19	77250341C	008	10	77910921B	024	22
77150763B	021	1	77214401AA	27B	15	77250708B	018	21	77911092A	006	2
77150808B	10A	8	77214411AA	022	19	77250988B	020	4	77911871A	008	23
77151250ZF	002	1	77214411AA	030	16	77250988B	030	2	77911982A	010	34
77151363B	10A	6	77214411AA	033	12	77251028C	018	3	77912741A	017	29
77156413B	022	16	77214411AA	034	18	77251043B	018	12	77913311D	024	6
77156413B	032	11	77214411BA	017	21	77253300ZF	012	2	77913481C	019	52
77156413B	032	11	77215048B	18B	16	77253988C	27A	14	77913662AB	025	4
77156623B	031	23	77215051AA	020	3	77253988C	27B	14	77913662AB	24A	11
77156628B	018	23	77240253C	029	14	77310021A	019	51	77913971A	024	3
77156633B	005	16	77240278C	18A	20	77310021A	21A	13	77914043B	006	9
77156683B	025	25	77240333C	018	11	77350403B	013	23	77914151A	024	10
77156688B	021	16	77240393C	019	46	77350618B	014	20	77914211A	014	23
77156688B	27A	6	77240393C	033	17	77350618B	022	3	77914211A	015	23
77156698B	016	23	77240403CA	027	13	77350658B	010	31	77914391C	019	22
77156698B	019	11	77240418C	28B	8	77350738BC	011	5	77914651A	024	9
77156698B	27A	33	77240418C	28B	8	77354623B	28B	9	77914871C	028	2
77156718B	016	21	77240423C	011	10	77354623B	28B	9	77914871C	28A	2
77156723B	019	50	77240433C	019	43	77354743B	022	10	77914871C	28A	2
77156723B	032	23	77240443C	24A	16	77355203C	22A	2	77915041A	028	3
77156723B	032	23	77240453C	022	21	77440041A	027	5	77915093A	013	3
77156728B	019	10	77244163B	019	8	77440101A	029	6	77915471A	006	4
77157238B	020	25	77244163B	28B	4	77440101A	034	5	77916041C	10A	16
77157238B	025	2	77244163B	28B	4	77440111A	24A	24	77916081A	030	6
77157248C	27B	3	77244168B	019	7	77440131A	029	10	77916411A	27A	31
77157248CA	27A	17	77244168B	18A	10	77440141A	18A	5	77916411A	27B	2
77157268B	021	20	77244173B	011	36	77440171A	34A	29	77917241AA	22A	4
77157278B	019	36	77244173B	018	28	77440213C	18A	7	77917711AA	011	2
77157278B	021	14	77244173B	022	26	77440391A	28A	26	77918092AA	34A	15
77157568B	021	15	77244173B	034	16	77440431AA	018	5	77918132A	002	7
77210601A	24A	28	77244173B	035	16	77510311B	010	32	77918141A	013	22



CODE	NO. TABLE	POS.	CODE	NO. TABLE	POS.	CODE	NO. TABLE	POS.	CODE	NO. TABLE	POS.
77918251AA	28A	21	79910491A	010	39	81416361A	032	29	82717631AA	22A	10
77918251AA	28A	21	79910891C	22A	6	81416361A	032	29	82717873BA	025	11
77918261AA	26A	21	79912961A	002	20	81420051A	031	8	82717901A	005	24
77918291AA	022	1	79914851A	014	18	81510221A	010	64	82911901A	017	5
77918301AB	027	15	79914851A	015	18	81510221A	016	14	82919611A	029	18
77918421AB	28A	7	79914861A	014	19	81510281A	010	41	8291A691AA	024	20
77918421AB	28A	7	79914861A	015	19	81810431A	004	5	8291B641C	18A	4
77918431AA	28A	6	79914991A	27A	25	81910601A	026	11	8291B771AA	18A	11
77918431AA	28A	6	79914991A	27B	8	81920021A	26A	6	8291C362A	033	6
77919121AA	025	18	79915061A	002	4	82111701CA	025	16	8291C372A	033	7
77919881A	010	2	79915181B	014	26	82111701CA	27A	4	8291D921A	016	15
7791A091AA	023	4	79915181B	015	27	82112731A	025	23	8291F421AA	023	1
7791A101AA	023	2	79915191B	014	27	82112941A	014	17	8291F601A	018	7
77927171A	010	35	79915191B	015	28	82112941A	015	17	8291F641A	018	18
77950302A	013	16	79915671A	005	17	82112951A	014	15	8291F761AA	28B	11
77950621A	010	37	79915741B	010	61	82112951A	015	15	8291F761AA	28B	11
78010161B	006	3	79920772A	010	62	82113471A	012	8	8291G121A	34A	16
78010511E	014	12	79920881C	22A	7	82113881A	002	13	8291G131A	34A	19
78010511E	015	12	79925643AB	34A	24	82114731A	002	5	8291G141A	34A	25
78010921A	010	38	79925771B	025	24	82115101AA	27A	24	8291G152A	34A	34
78010941B	010	60	79925941A	019	23	82115101AA	27B	12	8291G161B	34A	30
78020011A	019	31	79940171A	010	40	82115511A	027	22	8291G201BA	020	22
78050012A	005	14	79940221A	023	5	82115721AA	27A	21	8291G381A	24A	23
78050012A	011	33	800070139	01A	8	82115721AA	27B	10	83014401A	033	14
78610961A	007	11	80011851A	007	8	82118291AA	34A	17	83018172AA	022	4
78611251A	007	13	80012301A	031	11	82118301AA	34A	33	83018181AA	24A	13
78710111A	010	63	80012483A	007	9	82118311AA	34A	27	83018221A	017	30
78710111A	016	13	80017842A	031	16	82118321BA	34A	22	83018341B	24A	20
78810542A	012	4	80017851A	031	12	82118331AA	34A	26	83018351AA	018	6
78810931A	013	9	80017861A	031	17	82119311AA	22A	9	83018421BA	017	7
78811041A	18A	9	80017871B	031	5	82120132A	002	25	83018691A	024	24
78811151A	010	14	80610411A	027	19	82413241AA	27B	4	83018971A	030	8
78811211A	013	8	80610421A	027	18	82413251AA	27A	29	8301E221BA	022	13
78811301A	017	19	81110021A	010	15	82413263BA	27B	13	8301E231AA	035	17
78811651A	34A	4	81140012B	013	21	82413273BA	27A	20	8301E361A	28A	20
78811661A	34A	2	81411111C	035	2	82510591AA	26A	17	8301E361A	28A	20
79010211A	019	33	81411831A	035	6	82610261A	002	16	8301F081BA	016	16
79111111A	032	13	81411881A	015	25	82610351BA	027	26	8301F101AA	22A	11
79111111A	032	13	81413251A	032	14	82711611B	27A	26	8301F141BA	016	17
79120571B	007	6	81413251A	032	14	82711611B	27B	7	8301F321AB	033	18
79710731A	004	1	81413261A	031	2	82712941A	018	20	8301F451A	020	8
79910241A	27A	34	81413341A	017	10	82716031A	010	16	8301F461AA	020	9
79910241A	27B	6	81415251B	017	16	82716091A	011	25	8301F501AA	030	18
79910241B	34A	21	81416251A	035	20	82716351A	013	20	8301F511AA	019	41



CODE	NO. TABLE	POS.	CODE	NO. TABLE	POS.	CODE	NO. TABLE	POS.	CODE	NO. TABLE	POS.
8301F531AA	011	35	84010202A	015	1	84010482B	015	2	84010702B	015	2
8301F531AA	022	27	84010212A	014	1	84010492B	014	2	84010712B	014	2
83110151B	010	42	84010212A	015	1	84010492B	015	2	84010712B	015	2
83210031E	28A	22	84010222A	014	1	84010502B	014	2	84010722A	014	1
83210031E	28A	22	84010222A	015	1	84010502B	015	2	84010722A	015	1
84010012A	014	1	84010232A	014	1	84010512B	014	2	84010722B	014	2
84010012A	015	1	84010232A	015	1	84010512B	015	2	84010722B	015	2
84010022A	014	1	84010242A	014	1	84010522B	014	2	84010732A	014	1
84010022A	015	1	84010242A	015	1	84010522B	015	2	84010732A	015	1
84010032A	014	1	84010252A	014	1	84010532B	014	2	84010732B	014	2
84010032A	015	1	84010252A	015	1	84010532B	015	2	84010732B	015	2
84010042A	014	1	84010262A	014	1	84010542B	014	2	84010742B	014	2
84010042A	015	1	84010262A	015	1	84010542B	015	2	84010742B	015	2
84010052A	014	1	84010272A	014	1	84010552B	014	2	84010752B	014	2
84010052A	015	1	84010272A	015	1	84010552B	015	2	84010752B	015	2
84010062A	014	1	84010282A	014	1	84010562B	014	2	84010762B	014	2
84010062A	015	1	84010282A	015	1	84010562B	015	2	84010762B	015	2
84010072A	014	1	84010292A	014	1	84010572B	014	2	84010772B	014	2
84010072A	015	1	84010292A	015	1	84010572B	015	2	84010772B	015	2
84010082A	014	1	84010302A	014	1	84010582B	014	2	84010782B	014	2
84010082A	015	1	84010302A	015	1	84010582B	015	2	84010782B	015	2
84010092A	014	1	84010312A	014	1	84010592B	014	2	84010792B	014	2
84010092A	015	1	84010312A	015	1	84010592B	015	2	84010792B	015	2
84010102A	014	1	84010322A	014	1	84010602B	014	2	84010802B	014	2
84010102A	015	1	84010322A	015	1	84010602B	015	2	84010802B	015	2
84010112A	014	1	84010332A	014	1	84010612B	014	2	84010812B	014	2
84010112A	015	1	84010332A	015	1	84010612B	015	2	84010812B	015	2
84010122A	014	1	84010342A	014	1	84010622B	014	2	84010822B	014	2
84010122A	015	1	84010342A	015	1	84010622B	015	2	84010822B	015	2
84010132A	014	1	84010412B	014	2	84010632B	014	2	84010832B	014	2
84010132A	015	1	84010412B	015	2	84010632B	015	2	84010832B	015	2
84010142A	014	1	84010422B	014	2	84010642B	014	2	84010842B	014	2
84010142A	015	1	84010422B	015	2	84010642B	015	2	84010842B	015	2
84010152A	014	1	84010432B	014	2	84010652B	014	2	84010852B	014	2
84010152A	015	1	84010432B	015	2	84010652B	015	2	84010852B	015	2
84010162A	014	1	84010442B	014	2	84010662B	014	2	84010862B	014	2
84010162A	015	1	84010442B	015	2	84010662B	015	2	84010862B	015	2
84010172A	014	1	84010452B	014	2	84010672B	014	2	84010872B	014	2
84010172A	015	1	84010452B	015	2	84010672B	015	2	84010872B	015	2
84010182A	014	1	84010462B	014	2	84010682B	014	2	84011082A	014	1
84010182A	015	1	84010462B	015	2	84010682B	015	2	84011082A	015	1
84010192A	014	1	84010472B	014	2	84010692B	014	2	84011092A	014	1
84010192A	015	1	84010472B	015	2	84010692B	015	2	84011092A	015	1
84010202A	014	1	84010482B	014	2	84010702B	014	2	84011102A	014	1



CODE	NO. TABLE	POS.	CODE	NO. TABLE	POS.	CODE	NO. TABLE	POS.	CODE	NO. TABLE	POS.
84011102A	015	1	85140031A	006	12	85250231A	035	1	86611731A	018	24
84011112A	014	1	85140091A	020	24	85250241A	005	7	86611811A	027	23
84011112A	015	1	85210051A	002	14	85250241A	011	32	86611861A	24A	27
84011122A	014	1	85210532A	010	44	85250241A	024	4	86611981A	18A	13
84011122A	015	1	85210532A	025	22	85250241A	025	3	86611991A	017	14
84011132A	014	1	85210532A	27A	7	85250241A	24A	12	86612221A	033	5
84011132A	015	1	85210532A	28B	22	85250261B	014	11	86612361A	034	29
84011142A	014	1	85210532A	28B	22	85250261B	015	11	86612461A	027	33
84011142A	015	1	85210541B	016	19	85250271A	031	27	87210481A	021	9
84740021A	27A	28	85210941A	002	19	85250421A	010	47	87210532A	18B	6
84740021A	27B	5	85211031AB	021	24	85250481A	011	30	87210641A	18B	8
84740021A	34A	20	85211201A	010	45	85310021A	008	8	87210751A	28A	12
84740061A	010	43	85211351A	005	10	85310031A	020	10	87210751A	28A	12
84850011A	27A	13	85211671B	018	27	85310031A	10A	13	87210912A	022	8
84850021A	27A	9	85211671B	019	17	85310031A	34A	36	87210922A	022	7
85010151A	025	19	85211671B	032	32	85350101A	012	19	87211251A	28B	21
85040381A	019	32	85211671B	032	32	85350101A	018	22	87211251A	28B	21
85040471A	034	27	85211721A	011	7	85550001B	18B	10	87240921A	030	3
85040471A	34A	12	85211761A	019	25	85610011A	003	6	87310051A	013	13
85040551A	019	6	85211911A	016	24	85610623A	008	19	87310371A	009	2
85040551A	020	26	85211911A	031	26	85610642A	10A	3	87321271A	011	12
85040551A	022	24	85211951A	016	25	85610743A	013	4	87511461B	010	50
85040551A	030	14	85212171A	26A	15	85611271A	027	32	875P2552BA	021	10
85040551A	032	17	85212211A	026	14	85611391B	004	2	875P2562BA	021	8
85040551A	032	17	85212211A	26A	3	85611401A	034	22	87611211A	029	4
85040551A	033	21	85212221A	026	6	85611401A	34A	11	87611221B	029	9
85040551A	034	15	85212271A	019	44	85611481A	010	48	87611452A	035	15
85040631A	016	18	85212511A	28B	19	85640141A	010	51	87612921A	029	2
85040631A	018	25	85212511A	28B	19	86010051B	10A	12	87710381A	024	17
85040631A	019	53	85212691A	006	7	86050061A	010	49	87710691A	025	8
85040671A	027	16	85212901A	019	39	86050061A	014	24	88110101C	012	12
85040671A	18B	2	85213011A	010	28	86050061A	015	24	88110121A	002	23
85040821A	034	20	85213021A	009	6	86610301A	033	4	88110461A	031	14
85041121A	022	23	85213021A	010	46	86610361A	018	31	88110541A	26A	7
85041581A	018	4	85213661AA	27A	30	86610581A	34A	32	88210031A	008	11
85041581A	020	5	85213661AA	27B	1	86610731A	18A	18	88440511A	26A	18
85041711A	18A	6	85240171A	033	19	86611001B	033	3	88450131A	005	11
85041711A	28A	24	85240211A	029	7	86611121A	24A	8	88450341B	002	22
85041711A	28A	24	85241711A	018	26	86611521A	027	10	88450341B	005	21
85042241A	027	12	85241711A	030	9	86611611A	18A	12	88450371A	009	4
85044281A	022	28	85250051A	009	5	86611692B	020	6	88450371A	010	52
85110041A	003	13	85250231A	014	28	86611701A	033	20	88450431A	011	8
85110131A	008	14	85250231A	015	20	86611721C	032	15	88450441A	27A	22
85110201A	004	8	85250231A	017	8	86611721C	032	15	88450441A	27B	11



CODE	NO. TABLE	POS.	CODE	NO. TABLE	POS.	CODE	NO. TABLE	POS.
88450851A	34A	18	887651298	001	18	937831524	011	18
88450881A	34A	23	887651523	001	5	942470014	10A	1
88610241A	10A	15	887651623	001	7	944650035	L	1
88610951A	011	22	89310143A	031	24	944650037	L	2
88640331A	010	53	89320062A	010	55	979000252	01B	1
88641031A	031	3	89320121A	005	15	979000253	01B	2
88641161A	025	17	89340051A	025	5	979000254	01B	3
88641161A	27A	5	89340211A	024	23	979000255	01B	4
88641181A	10A	5	89420121F	009	3	979000256	01B	5
88641241A	26A	16	89520072A	032	24	979000259	01B	7
88641321A	005	12	89520072A	032	24			
88641321A	10A	9	91373571A	027	24			
88641731A	011	16	91373571B	027	24			
88641961A	010	36	91373571C	027	24			
88642231A	017	27	91373571D	027	24			
88650131A	010	54	91373571E	027	24			
88650511A	013	1	91373571F	027	24			
887005644	001	10	91373571G	027	24			
887130026	01A	2	91373571R	027	24			
887130031	001	14	91373571T	027	24			
887130137	001	1	92610051A	032	27			
887131058	01A	7	92610051A	032	27			
887131062	01A	6	92610401A	032	26			
887131074	01A	4	92610401A	032	26			
887131309	001	15	93010041B	021	22			
887131749	001	22	93010102A	26A	26			
887131806	001	16	93040211A	005	9			
887131821	001	19	93040221A	010	56			
887131994	001	4	93040521A	026	18			
887132011	001	17	93040931A	010	57			
887132103	001	3	93041231A	010	58			
887132442	001	9	93041591A	005	19			
887132651	001	11	93050051A	011	26			
887132676	001	2	93050062B	011	28			
887132870	001	13	93050072A	013	17			
887132877	001	12	93050121A	28A	14			
887132906	001	6	93050121A	28A	14			
887132951	01A	3	93410201A	031	19			
887133211	01A	5	93510251C	035	4			
887133219	001	8	93510261C	035	7			
887133220	01A	1	93510281C	035	14			
887133334	001	21	93510351A	035	10			
887133367	001	20	93510361B	035	13			
887134411	001	23	93510411A	035	19			



Ducati Motor Holding S.p.A.

Uffici Commerciali Amministrativi:

Via A. Cavalieri Ducati n. 3

40132 Bologna, Italy

Telefono 051 6413111

Fax 051 406580

Internet www.ducati.com